

The ADV 140 vertical centrifugal pump are high-performance pump for fixed installations with pump immersed directly in the tank and operated by a direct-drive electric motor (max 3000 rpm) for fast fluid drainage.



### Technical data

Construction Materials	PP - PVDF
Max. Capacity	40 m <sup>3</sup> /h
Max Head	21 m
Max Temperature	PP 60°C - PCDF 90°C
Max Viscosity	500 cPs
Max.diameter of passing solids	12 mm
Intake / delivery connections	2" M x 1 1/2 " M - DN50X DN40 on request
Motor	4 HP 380V3/50Hz / 2800 rpm

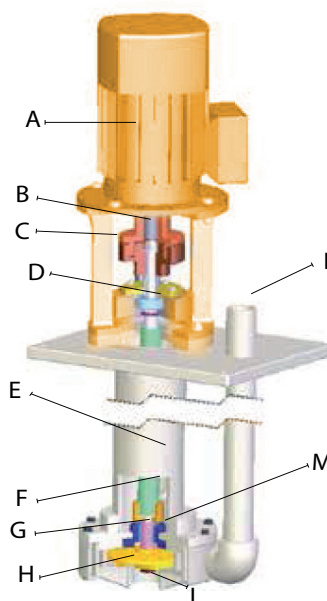
## Description

Vertical centrifugal pumps with bracket series ADV are made of thermoplastic materials (PP and PVDF) and are suitable to pump high corrosive liquids with solids. Pump series ADV are available with different column lengths from 250 mm to 2000mm.

The open impeller allows continuous pumping even with very dirty liquids having apparent viscosity of up to 500 cps (at 20°C) and small suspended solids.

ADV vertical centrifugal pumps consist of a solid pump casing and a column fitted to the base plate supporting the lantern that in turn supports the electric motor. The direct-drive motor is connected by a flexible coupling on the pump shaft. The open impeller is fitted to the other end of the shaft that is supported by a radial bearing. This pump's special design allows the motor to be stripped without the need to disconnect the pump from the system.

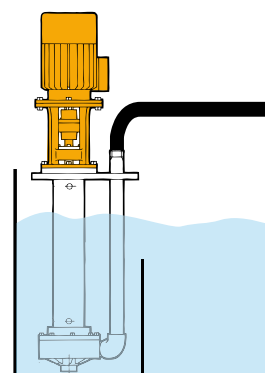
- A=ELECTRIC MOTOR
- B=DRIVE COUPLING
- C=LANTERN
- D=RADIAL BEARING
- E=OUTER COLUMN
- F=SHAFT SLEEVE
- G=CERAMIC BUSHING
- H=IMPELLER
- I=DELIVERY DUCT
- L=INTAKE DUCT
- M=BUSHING



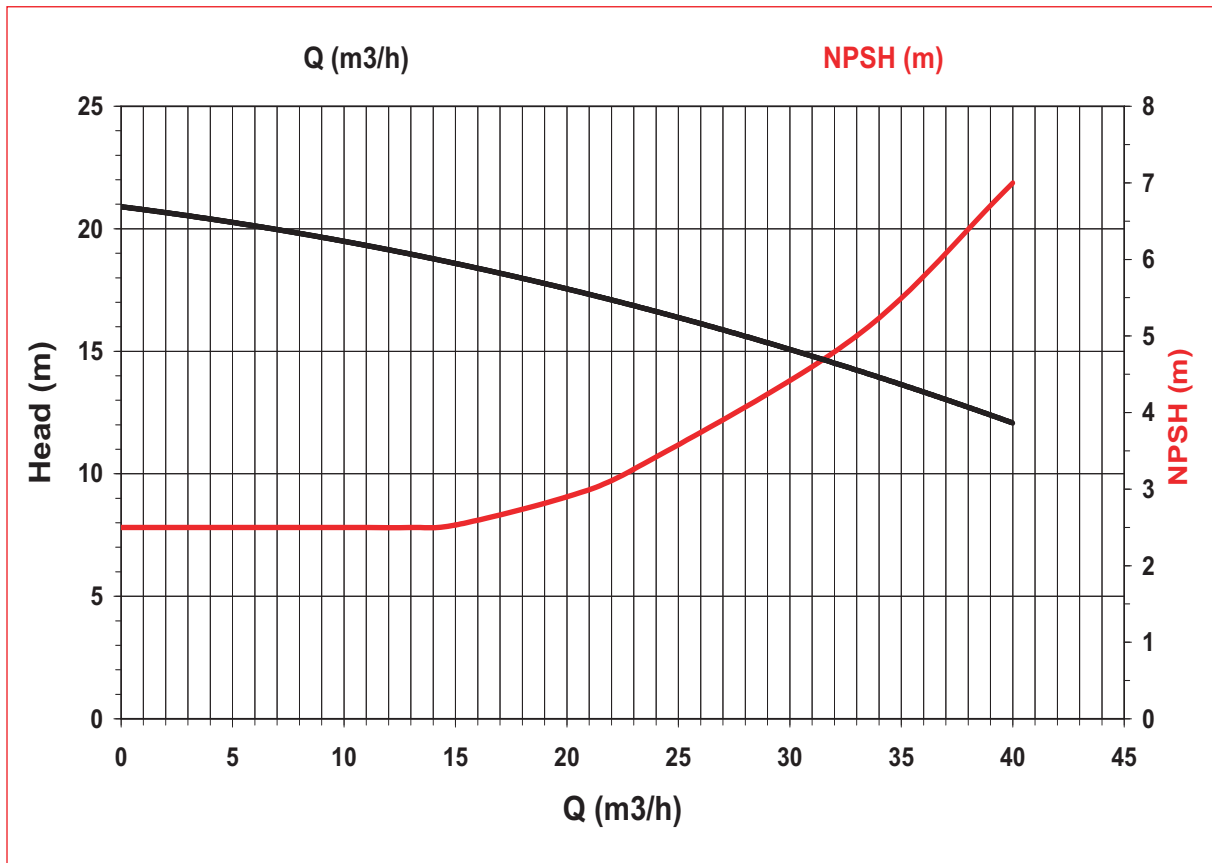
## Installation

ADV Vertical centrifugal pumps should only be installed with the shaft positioned vertically and the pump immersed in the tank. Suitable devices should be fitted to avoid dry running and /or the formation of a vortex and possible air suction.

These pumps should only operate whilst filled. Running dry or with air bubbles can cause damage to the internal bushing

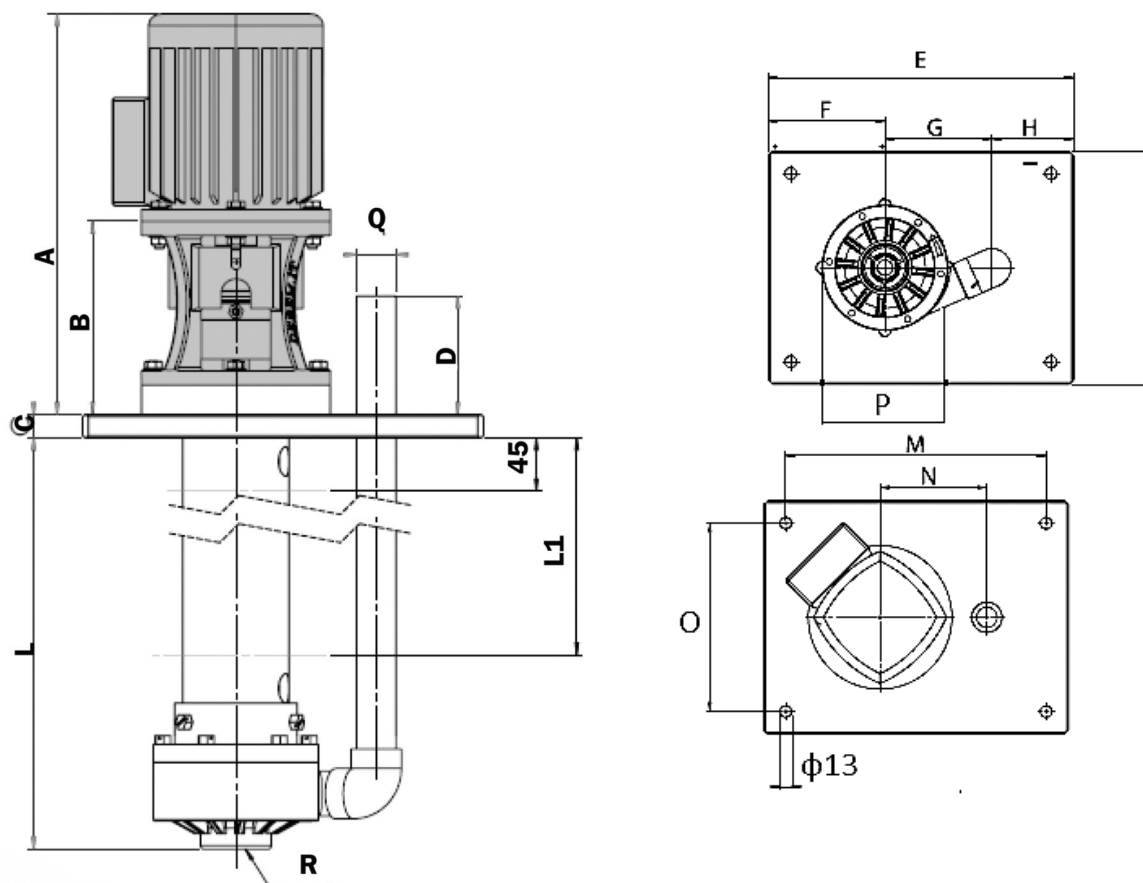


## Performance



## Dimensions

Column length : 500 - 1250 mm

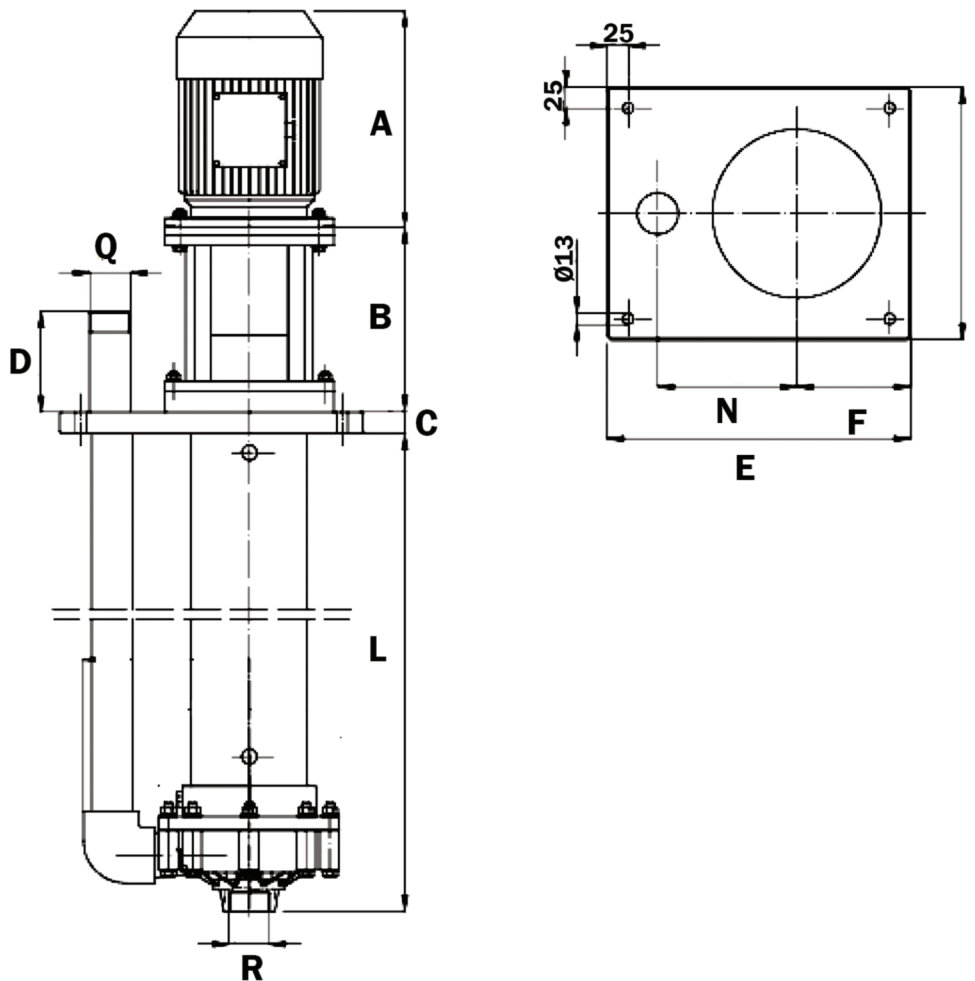


Motor Weight	20 kg
Column Weight L=500 mm	PP 15 Kg - PVDF 16 Kg
Column Weight L=800 mm	PP 19 Kg - PVDF 20 Kg
Column Weight L=1000 mm	PP 22 Kg - PVDF 23 Kg
Column Weight L=1250 mm	PP 24 Kg - PVDF 25 Kg

Pump Type	Motor Flange B5	HP	Rpm	Dimensions -mm-															
				A	B	L	C	D	E	F	G	H	I	M	N	O	P	Q	R
ADV 130	100	4.0	2800	507	235	500-1250	25	120	360	135	165	60	300	310	165	250	Φ203	1 1/2"	2'

## Dimensions

Column length : 1500 - 2000 mm



Motor Weight	20 kg
Column Weight L=1500 mm	PP 26 Kg - PVDF 27 Kg
Column Weight L=2000 mm	PP 28 Kg - PVDF 29 Kg

Pump Type	Motor Flange B5	HP	Rpm	Dimensions -mm-										
				A	B	L	C	D	E	F	I	N	Q	R
ADV 140	100	4.0	2800	315	230	1500-2000	25	100	360	135	300	165	1 1/2 "	2'



**ALPHADYNAMIC PUMPS Co**

**England Sales office:**

Rockleigh House, 37 Burton Road  
Ashby de la Zouch, Leicestershire  
LE65 2LF - United Kingdom (UK)  
Registered in ENGLAND & WALES

Registration number 09706219 - VAT No.GB220393343

Tel +44 1213 680 324, +44 1213 680472  
email:sales@alphadynamicpumps.co.uk  
www.alphadynamicpumps.co.uk

**Hellas Production Facilities Unit 1**

3 Eleftherias Str Industrial Park of Kifisia  
14564 - Kifisia - Hellas  
VAT No. EL 999695309  
Tel +30 210 4200 338, +30 210 4200 422  
Fax +30 211 268 68 37  
email: info@alphadynamic.eu  
www.alphadynamic.eu

**Hellas Production Facilities Unit 2**

30 Seneka str Industrial Park of Kifisia  
14564 - Kifisia - Greece  
Tel +30 215 215 9152  
email: sales@rubypump.com