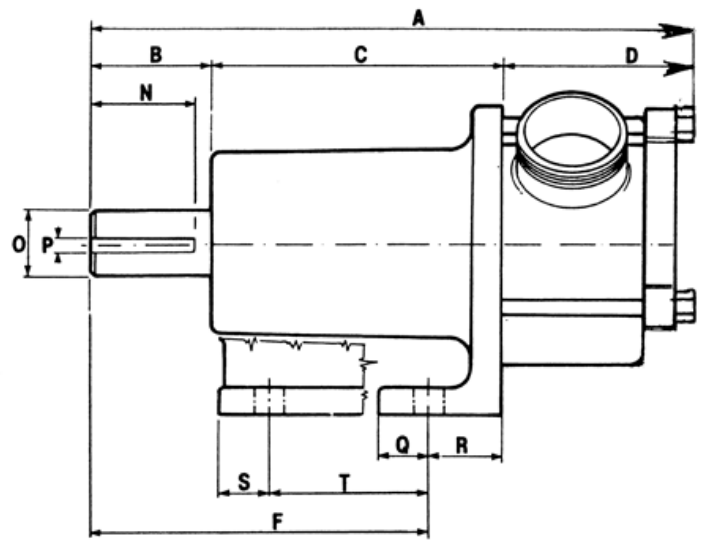
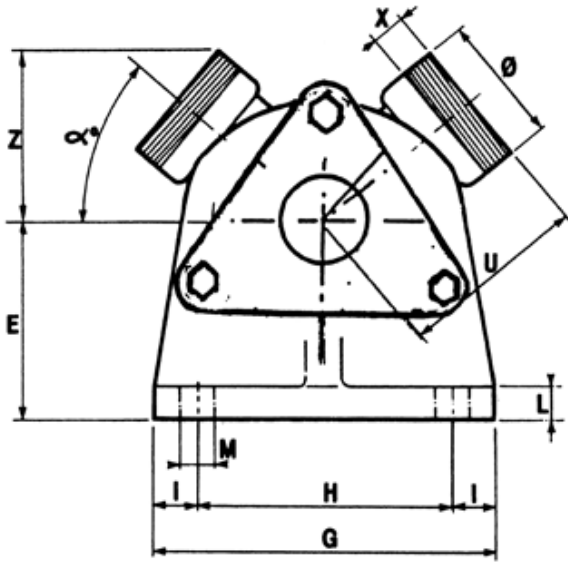


## AD 30 / 40 / 50 / 65 Flexible impeller



MOD	Dimensions [mm]																						
	A	B	C	D	E	F	G	H	I	L	M	N	O	P	Q	R	S	T	U	X	Z	$\alpha$ [deg]	$\varnothing$
AD30	250	65	82	103	57	117	113	80	14	15	9	40	25	6x6	20	30	-	-	56	13	47	41°	1 1/4"
AD 40	278	65	90	123	57	120	137	85	21	14	9	50	30	8x7	30	32	-	-	71	15	53	33°	1 1/2"
AD 50	390	65	160	165	90	185	160	120	20	14	14	50	35	8x7	-	35	25	96	96	17	20	40°	2"
AD 65	360	48	174	135	90	172	160	120	20	14	14	40	35	8x7	-	35	25	96	140	21	130	40	2 1/2"