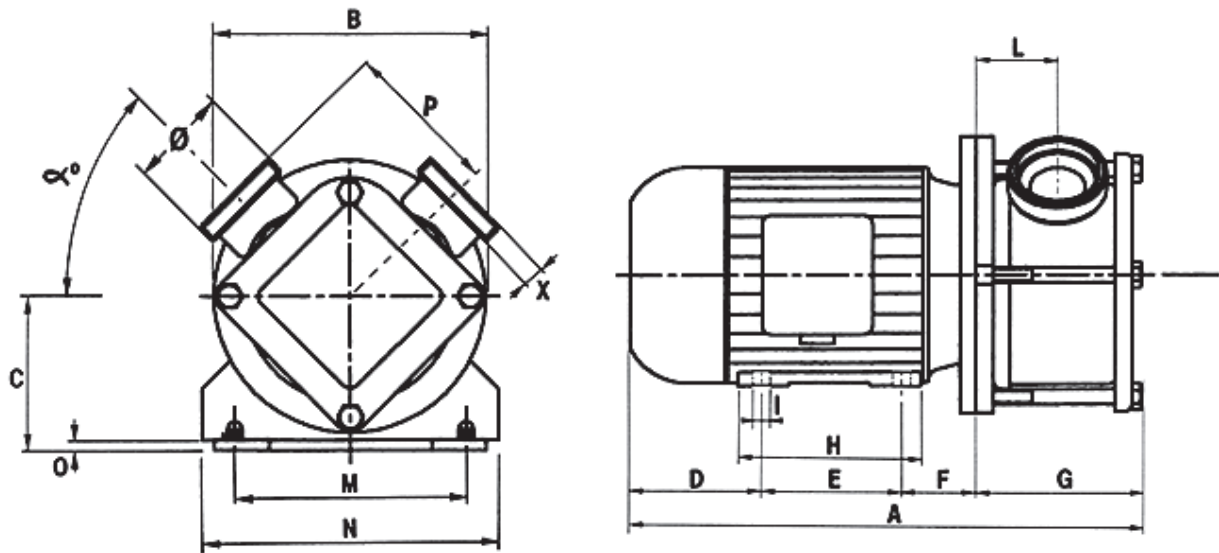


Dimensions



TYPE	A	B	C	D	E	F	G	H	I	L	M	N	O	P	X	α°	\emptyset
AD 30.1	375	210	80	100	100	45	125	170	9	58	125	158	8	56	15	45°	BSP G 1 1/4" - DN40 DIN 11851 on request