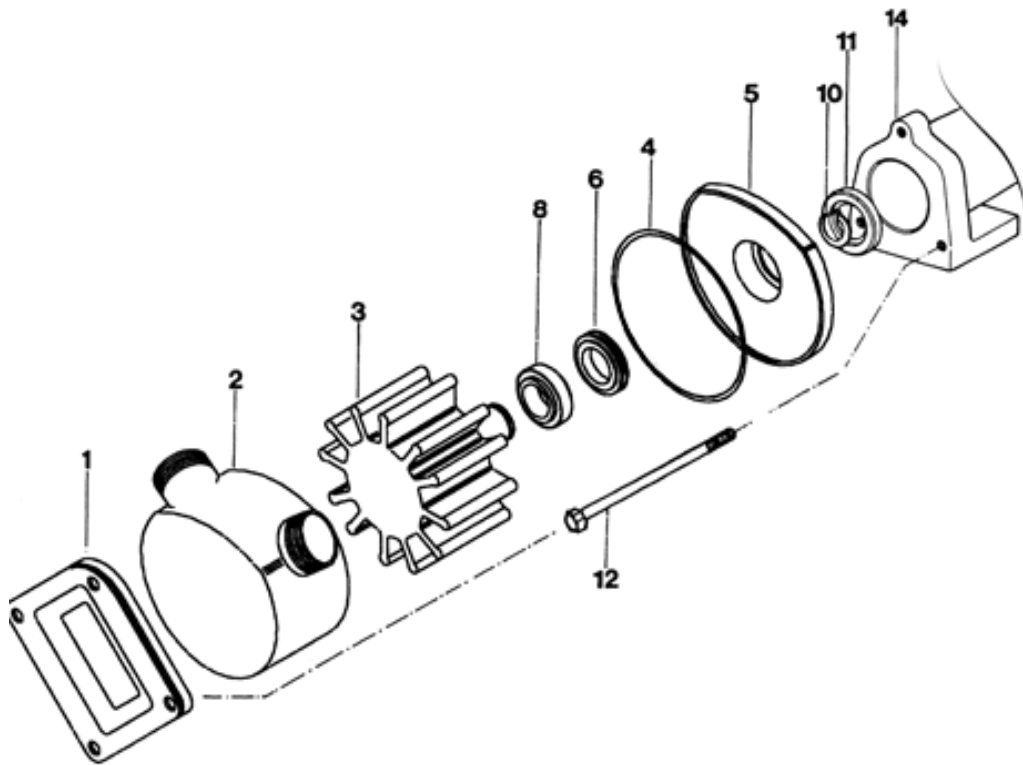


AD 50 bare shaft Flexible impeller spare part list



Pos	DESCRIPTION	MATERIAL
1	Flange	Stainless steel 304L
2	Pump casing	Stainless steel 304L
3	Impeller	CR , EPDM , NBR
4	Body seal ring	NBR , EPDM
6+8	Mechanical seal	INOX/Graphite/NBR/EPDM Tungsten/Tungsten NBR/EPDM
7	Elastic ring	Steel
9	Spacing ring	Stainless Steel
10	Seeger ring	Steel
11	oil seal	Rubber
12	Tie rod	Stainless steel
13	Flange	Aluminum
14	Pump casing	Cast Iron