

The ADV 080 vertical centrifugal pump are high-performance pump for fixed installations with pump immersed directly in the tank and operated by a direct-drive electric motor (max 3000 rpm) for fast fluid drainage.



## Technical data

Construction Materials	PP - PVDF
Max. Capacity	6 m <sup>3</sup> /h
Max Head	7.5 m
Max Temperature	PP 60°C - PCDF 90°C
Max Viscosity	500 cPs
Max.diameter of passing solids	7 mm
Intake / delivery connections	1 1/2 "M x 1" M - DN40 X DN25 on request
Motor	0.75HP/380V3/50Hz / 2800 rpm

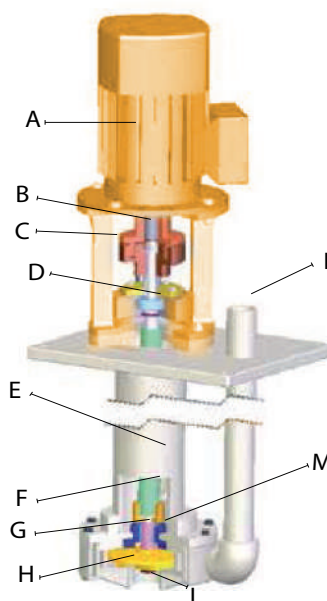
## Description

Vertical centrifugal pumps with bracket series ADV are made of thermoplastic materials (PP and PVDF) and are suitable to pump high corrosive liquids with solids. Pump series ADV are available with different column lengths from 250 mm to 800 mm.

The open impeller allows continuous pumping even with very dirty liquids having apparent viscosity of up to 500 cps (at 20°C) and small suspended solids.

ADV vertical centrifugal pumps consist of a solid pump casing and a column fitted to the base plate supporting the lantern that in turn supports the electric motor. The direct-drive motor is connected by a flexible coupling on the pump shaft. The open impeller is fitted to the other end of the shaft that is supported by a radial bearing. This pump's special design allows the motor to be stripped without the need to disconnect the pump from the system.

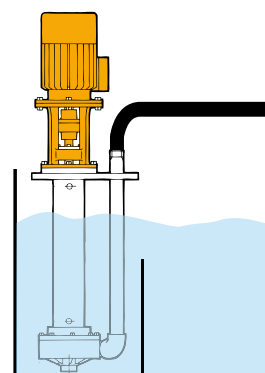
- A=ELECTRIC MOTOR
- B=DRIVE COUPLING
- C=LANTERN
- D=RADIAL BEARING
- E=OUTER COLUMN
- F=SHAFT SLEEVE
- G=CERAMIC BUSHING
- H=IMPELLER
- I=DELIVERY DUCT
- L=INTAKE DUCT
- M=BUSHING



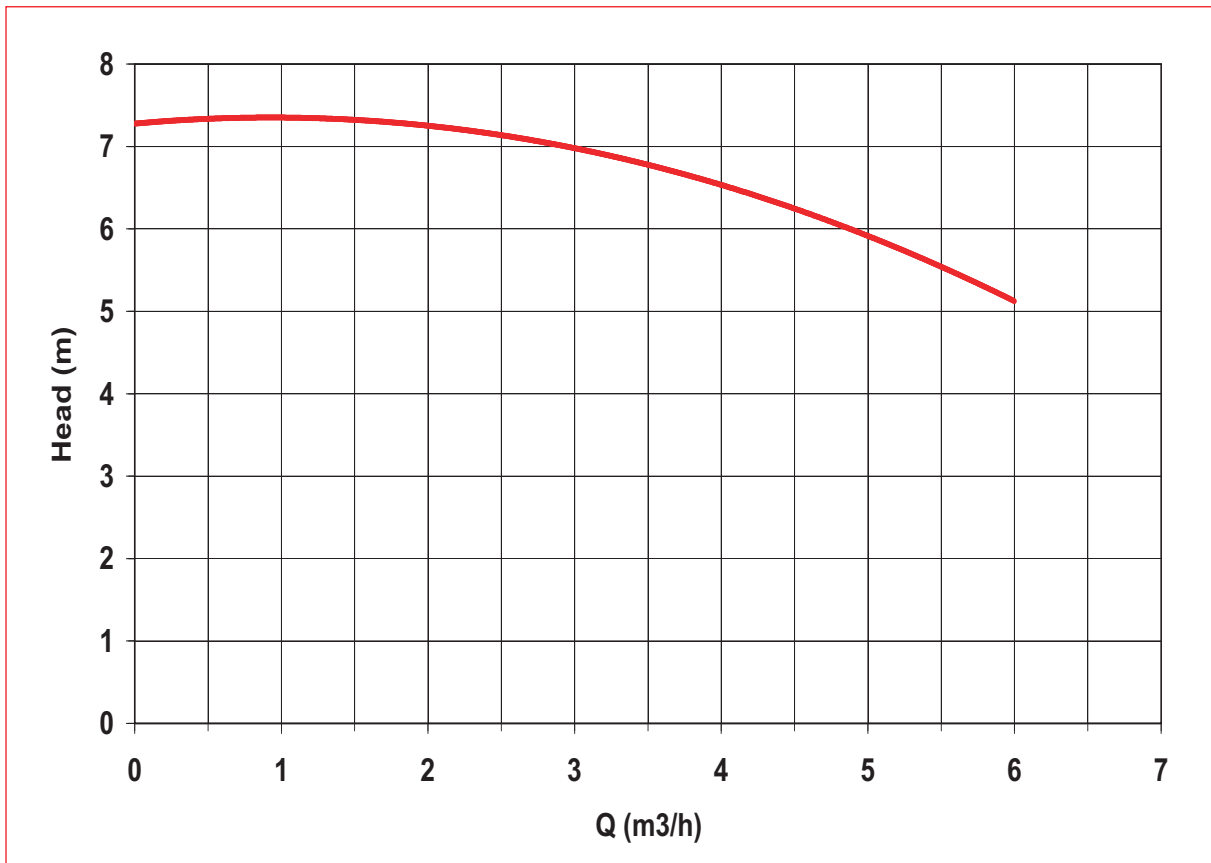
## Installation

ADV Vertical centrifugal pumps should only be installed with the shaft positioned vertically and the pump immersed in the tank. Suitable devices should be fitted to avoid dry running and /or the formation of a vortex and possible air suction.

These pumps should only operate whilst filled. Running dry or with air bubbles can cause damage to the internal bushing

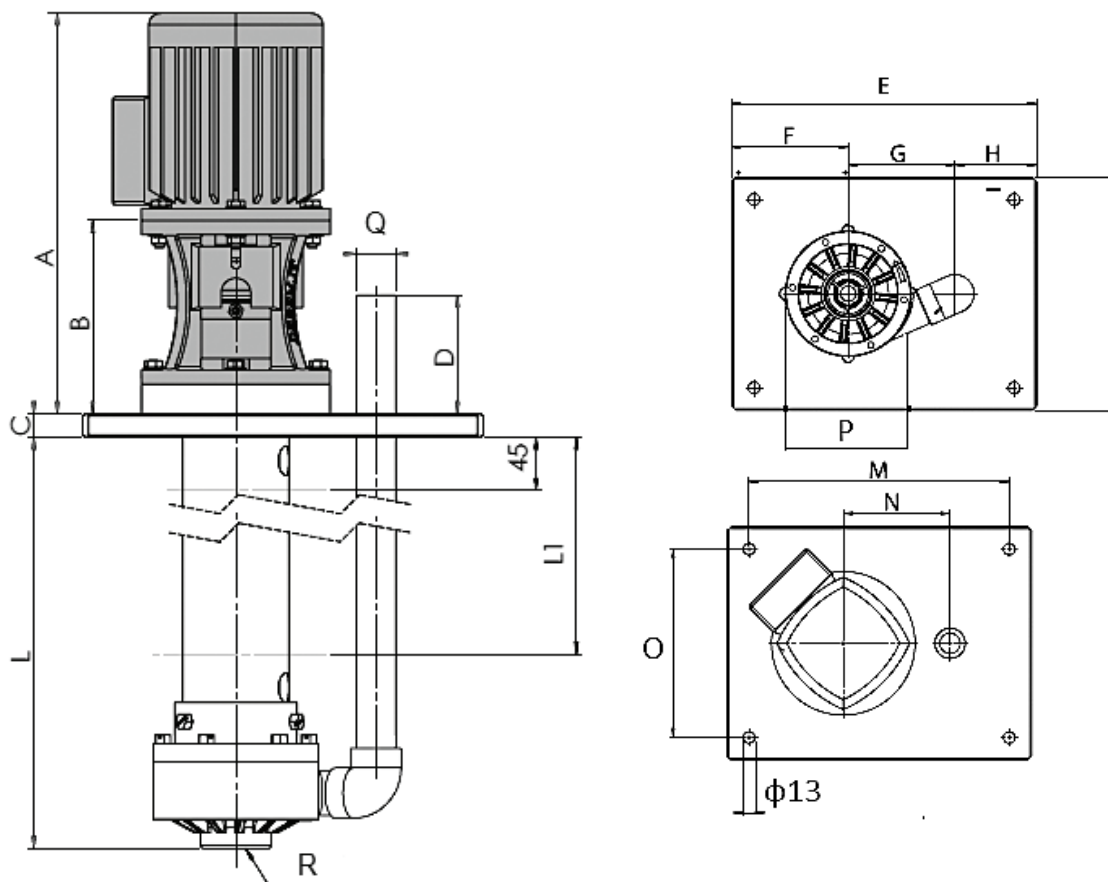


## Performance curves 2900 Rpm



## Dimensions

Column length: 250 - 500 - 800 mm



Motor Weight	8 kg
Column Weight L=250 mm	PP 6.5 Kg - PVDF 7 Kg
Column Weight L=500 mm	PP 7.5 Kg - PVDF 8 Kg
Column Weight L=800 mm	PP 10.5 Kg - PVDF 11 Kg

Pump Type	Motor Flange B5	HP	Rpm	Dimensions -mm-															
				A	B	L	C	D	E	F	G	H	I	M	N	O	P	Q	R
ADV 080	80	0.75	2800	340	164	250-500-800	20	100	340	130	119	91	260	290	119	210	$\phi 140$	1" F	1 1/2" M



## ADV 080 Vertical Centrifugal pump



### **ALPHADYNAMIC PUMPS Co**

#### **England Sales office:**

Rockleigh House, 37 Burton Road  
Ashby de la Zouch, Leicestershire  
LE65 2LF - United Kingdom (UK)  
Registered in ENGLAND & WALES

Registration number 09706219 - VAT No.GB220393343

Tel +44 1213 680 324, +44 1213 680472  
email:sales@alphadynamicpumps.co.uk  
www.alphadynamicpumps.co.uk

#### **Hellas Production Facilities Unit 1**

3 Eleftherias Str Industrial Park of Kifisia  
14564 - Kifisia - Hellas

VAT No. EL 999695309

Tel +30 210 4200 338, +30 210 4200 422

Fax +30 211 268 68 37

email: info@alphadynamic.eu

www.alphadynamic.eu

#### **Hellas Production Facilities Unit 2**

30 Seneka str Industrial Park of Kifisia

14564 - Kifisia - Greece

Tel +30 215 215 9152

email: sales@rubypump.com