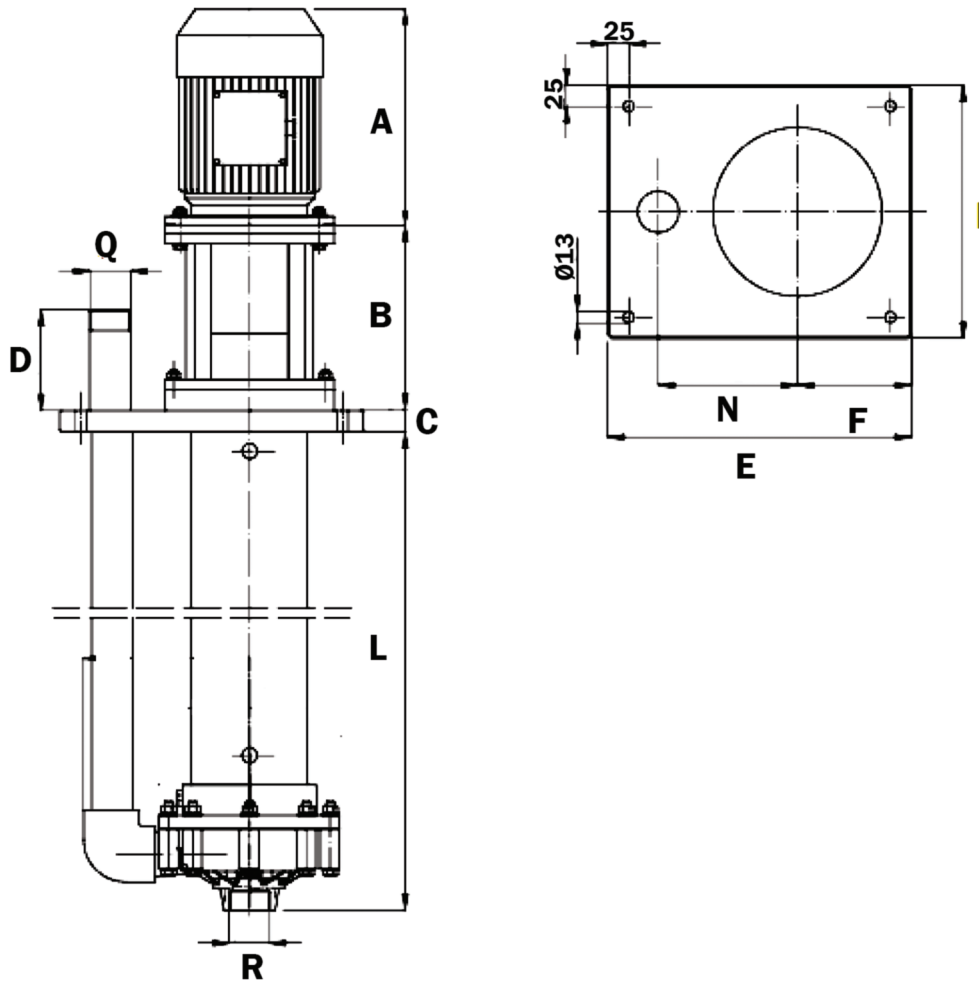


Dimensiones

LONGITUD COLUMNA (L): 1500 - 2000 mm



| | |
|------------------------|-----------------------|
| Peso del motor | 20 kg |
| Columna peso L=1500 mm | PP 26 Kg - PVDF 27 Kg |
| Columna peso L=2000 mm | PP 28 Kg - PVDF 29 Kg |

| Tipo de bomba | Motor Flange B5 | HP | Rpm | Dimensiones -mm- | | | | | | | | | | |
|---------------|-----------------|-----|------|------------------|-----|-----------|----|-----|-----|-----|-----|-----|--------|----|
| | | | | A | B | L | C | D | E | F | I | N | Q | R |
| ADV 130 | 90 | 3.0 | 2800 | 280 | 220 | 1500-2000 | 25 | 125 | 360 | 135 | 300 | 165 | 1 1/2" | 2' |