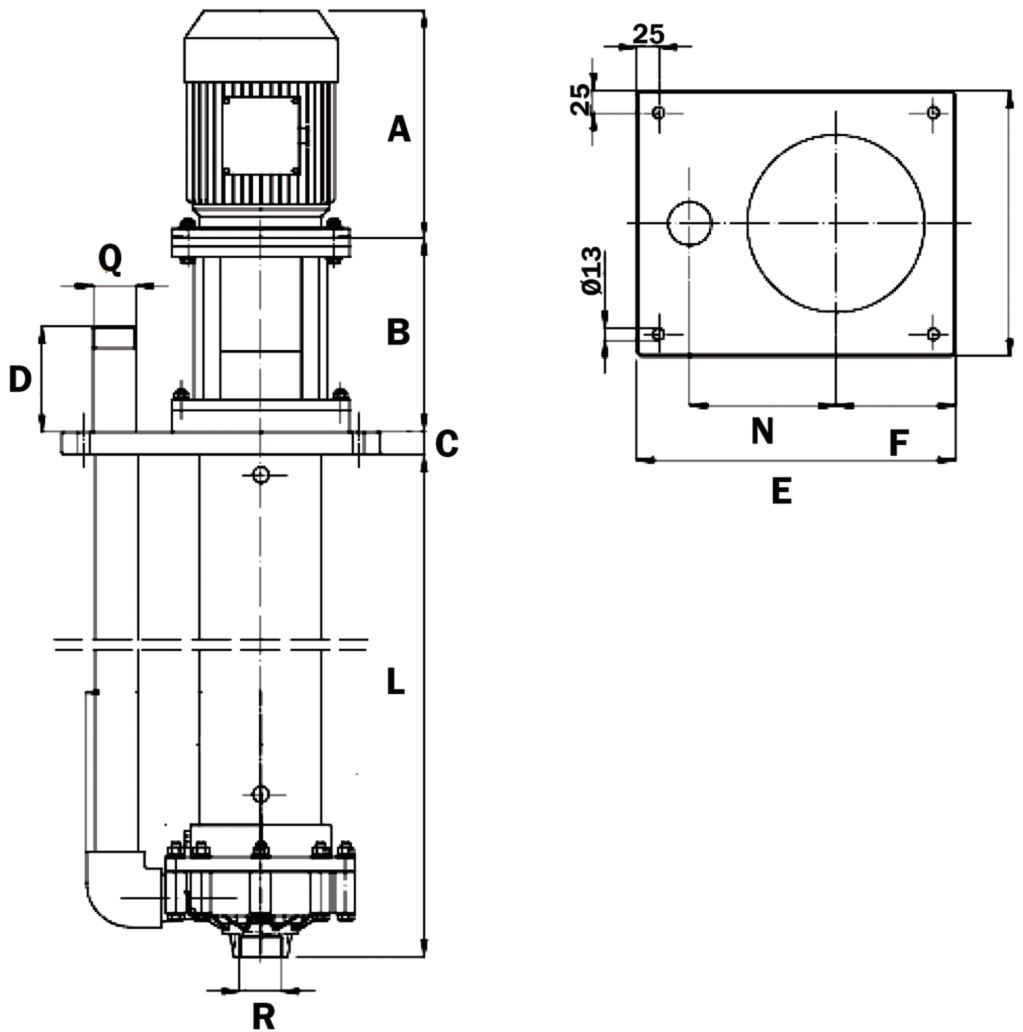


## Dimensions

Column length : 1500 - 2000 mm



|                         |                       |
|-------------------------|-----------------------|
| Motor Weight            | 20 kg                 |
| Column Weight L=1500 mm | PP 26 Kg - PVDF 27 Kg |
| Column Weight L=2000 mm | PP 28 Kg - PVDF 29 Kg |

| Pump Type | Motor Flange B5 | HP  | Rpm  | Dimensions -mm- |     |           |    |     |     |     |     |     |         |    |
|-----------|-----------------|-----|------|-----------------|-----|-----------|----|-----|-----|-----|-----|-----|---------|----|
|           |                 |     |      | A               | B   | L         | C  | D   | E   | F   | I   | N   | Q       | R  |
| ADV 140   | 100             | 4.0 | 2800 | 315             | 230 | 1500-2000 | 25 | 100 | 360 | 135 | 300 | 165 | 1 1/2 " | 2' |