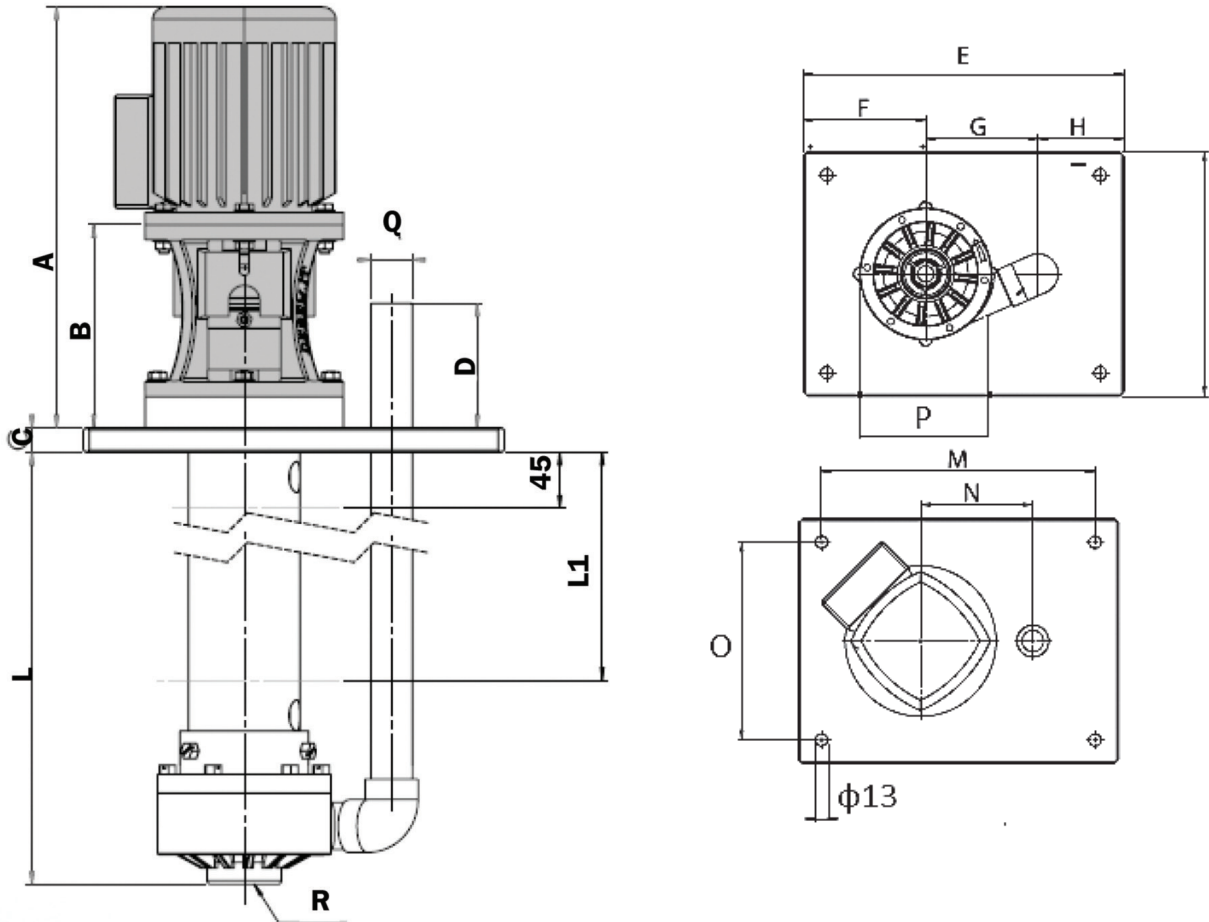


Dimensions

Column length : 500 - 1250 mm



Motor Weight	20 kg
Column Weight L=500 mm	PP 15 Kg - PVDF 16 Kg
Column Weight L=800 mm	PP 19 Kg - PVDF 20 Kg
Column Weight L=1000 mm	PP 22 Kg - PVDF 23 Kg
Column Weight L=1250 mm	PP 24 Kg - PVDF 25 Kg

Pump Type	Motor Flange B5	HP	Rpm	Dimensions -mm-															
				A	B	L	C	D	E	F	G	H	I	M	N	O	P	Q	R
ADV 130	100	4.0	2800	507	235	500-1250	25	120	360	135	165	60	300	310	165	250	$\phi 203$	1 1/2 "	2'