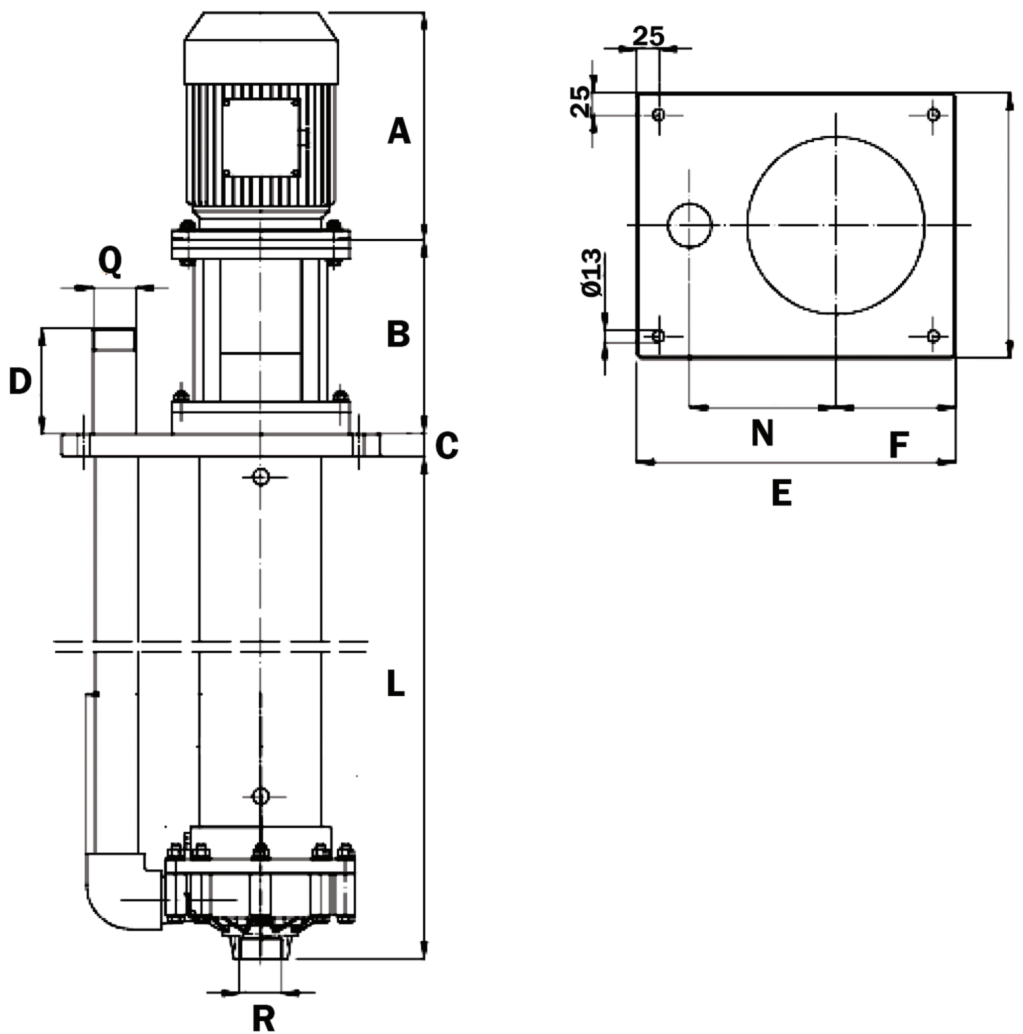


Dimensions

Column length : 1500 - 2000 mm



Motor Weight	53 kg
Column Weight L=1500 mm	PP 39 Kg - PVDF 41 Kg
Column Weight L=2000 mm	PP 45 Kg - PVDF 47 Kg

Pump Type	Motor Flange B5	HP	Rpm	Dimensions -mm-										
				A	B	L	C	D	E	F	I	N	Q	R
ADV 155	132	7.5	2800	380	250	1500-2000	25	100	480	170	380	215	2"	2 1/2"