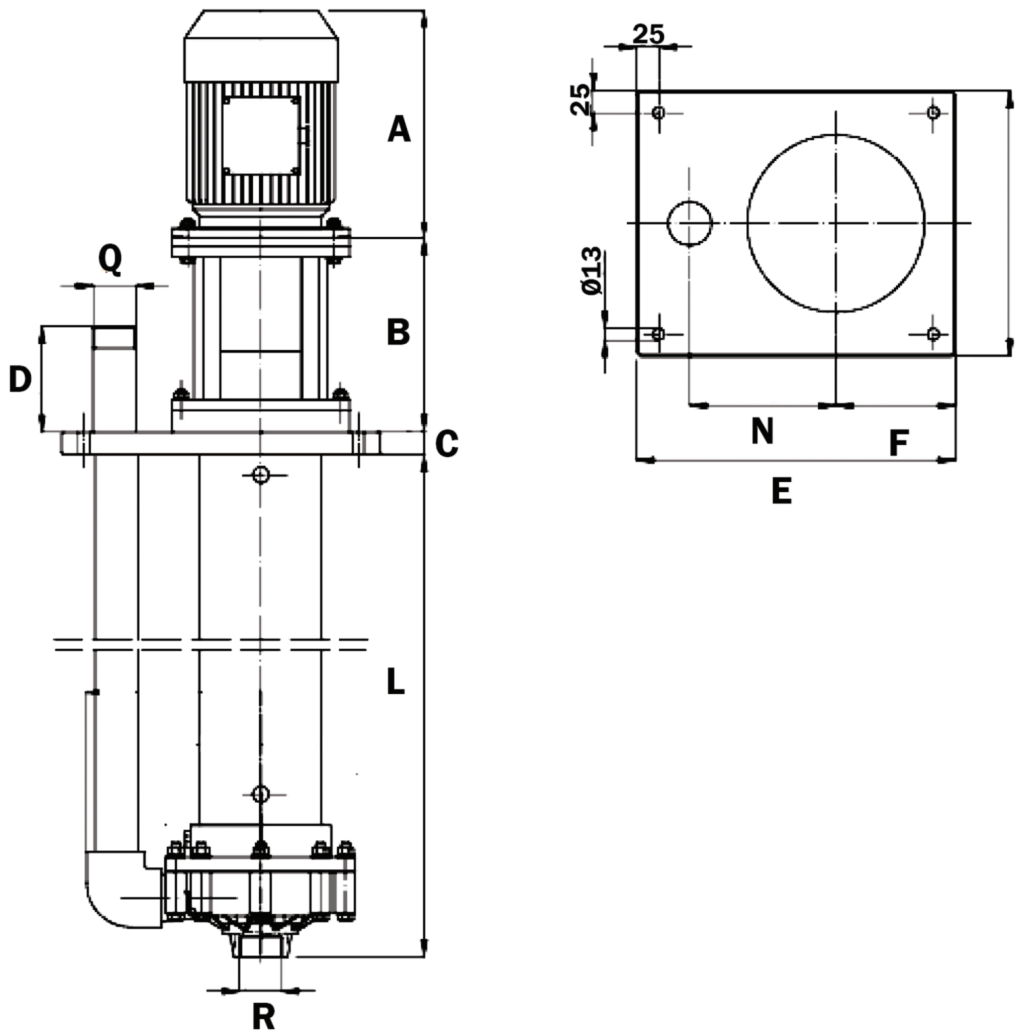


Dimensions

Column length : 1500 - 2000 mm



Motor Weight	20 kg
Column Weight L=1500 mm	PP 26 Kg - PVDF 27 Kg
Column Weight L=2000 mm	PP 28 Kg - PVDF 29 Kg

Pump Type	Motor Flange B5	HP	Rpm	Dimensions -mm-										
				A	B	L	C	D	E	F	I	N	Q	R
ADV 130	90	3.0	2800	280	220	1500-2000	25	125	360	135	300	165	1 1/2 "	2'