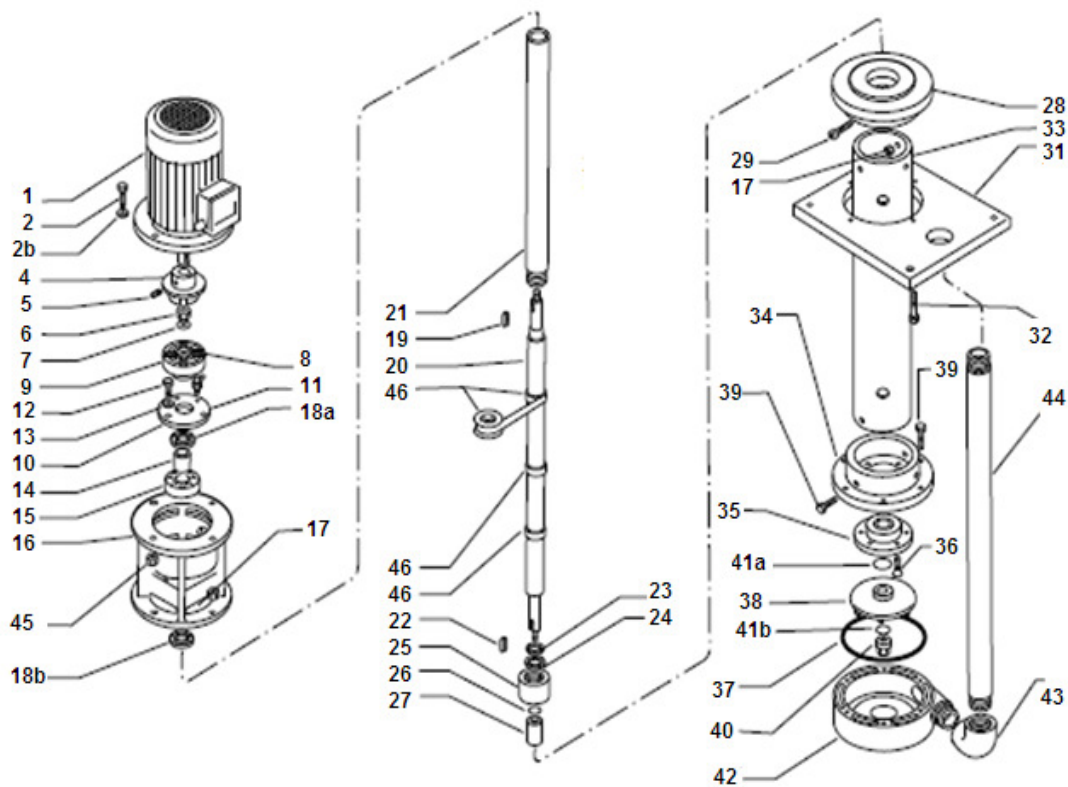


ADV 080 / 090 pump spare part list



POS	DESCRIPTION	QTY req
1	Motor	1
2	Screw	4
2b	Washer	8
4	Male half-coupling	1
5	Flat dowel	1
6	Lock nut	1
7	Belleville washer	2
8	Dowel	3
9	Half coupling	1
10	Bearing flange	1
11	Grease injection valve	1
12	Screw	4
14	Spacer	1
15	Bearing	1

POS	DESCRIPTION	QTY req
16	Spindle	1
17	nut	11
18	Gasket ring	1+1
19	Key	2
20	Shaft	1
21	Shaft covering	1
23	Spring washer	1
24	Flat washer	1
25	Shaft covering guide	1
26	Gasket	1
27	Shaft protection bearing	1
28	Upper flange	1
29	Screw	3
31	Fixing plate	1

POS	DESCRIPTION	QTY req
32	Screw	4
33	Column	1
34	Flange	1
35	Wearing bushing	1
36	Screw	3
37	Gasket	1
38	Impeller	1
39	Screw	9
40	Cap	1
41	Gasket	2
42	Pump body	1
43	90 Elbow	1
44	Delivery Pipe	1