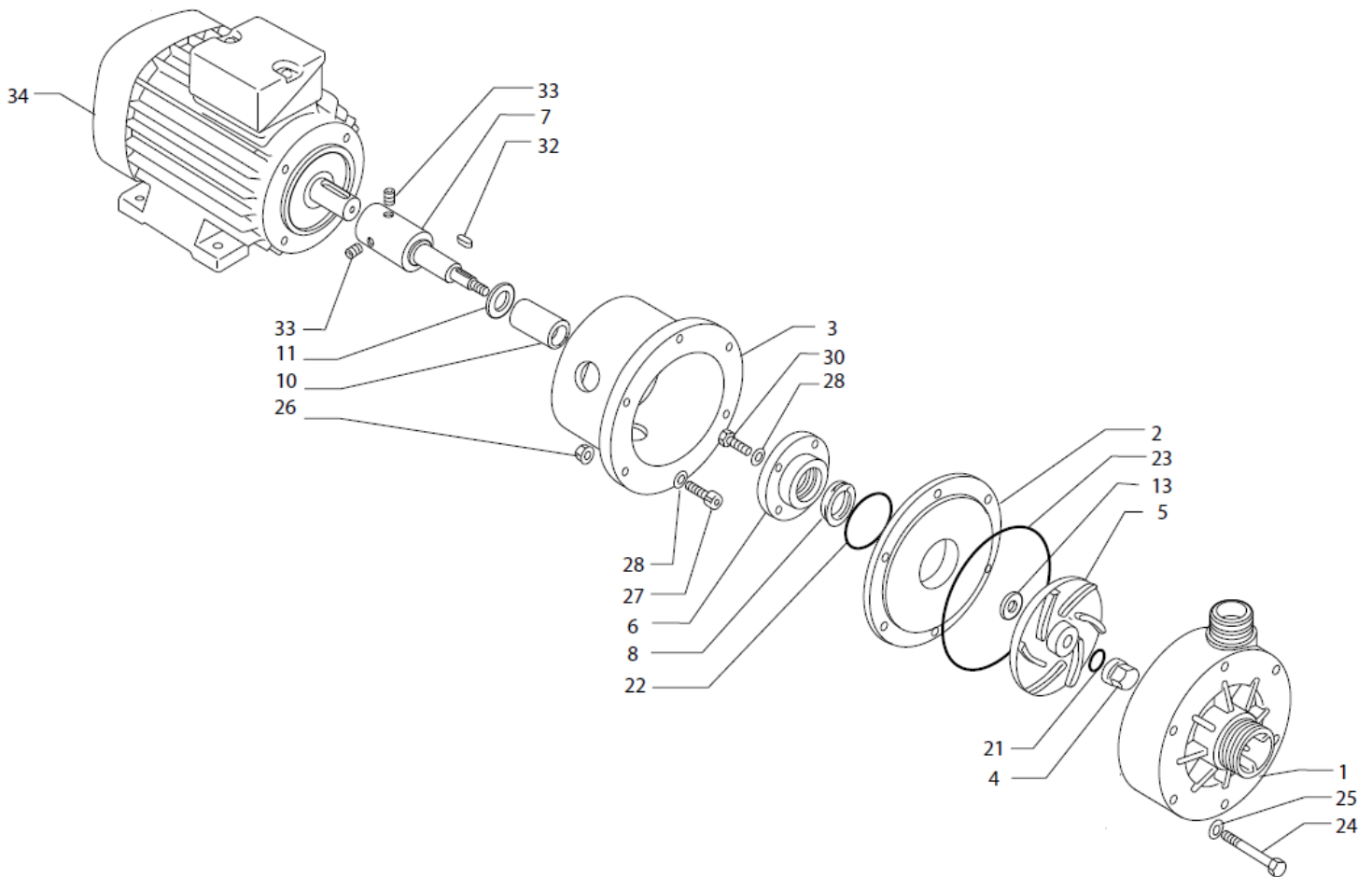


ADH 140 lip seal pump spare part list



| POS | DESCRIPTION | QTY req |
|-----|----------------------|---------|
| 1 | Pump body | 1 |
| 2 | Rear Flange | 1 |
| 3 | Lantern | 1 |
| 4 | Impeller locking nut | 1 |
| 5 | Impeller | 1 |
| 6 | Sealing Flange | 1 |
| 7 | Shaft | 1 |
| 8 | Lip seal | 1 |
| 10 | Ceramic bushing | 1 |
| 11 | Bushing spacer | 1 |
| 21 | O-ring | 2 |
| 22 | Gasket | 1 |

| POS | DESCRIPTION | QTY req |
|-----|--------------------|---------|
| 23 | Pump casing gasket | 1 |
| 24 | Pump casing screw | 6 |
| 25 | Flat washer | 6 |
| 26 | Flanged nut | 6 |
| 27 | Lantern screw | 4 |
| 28 | Flat washer | 8 |
| 29 | Flanged nut | 4 |
| 30 | Screw | 4 |
| 32 | Turning lip-key | 1 |
| 33 | Flat-grub nut | 3 |
| 34 | Motor | 1 |