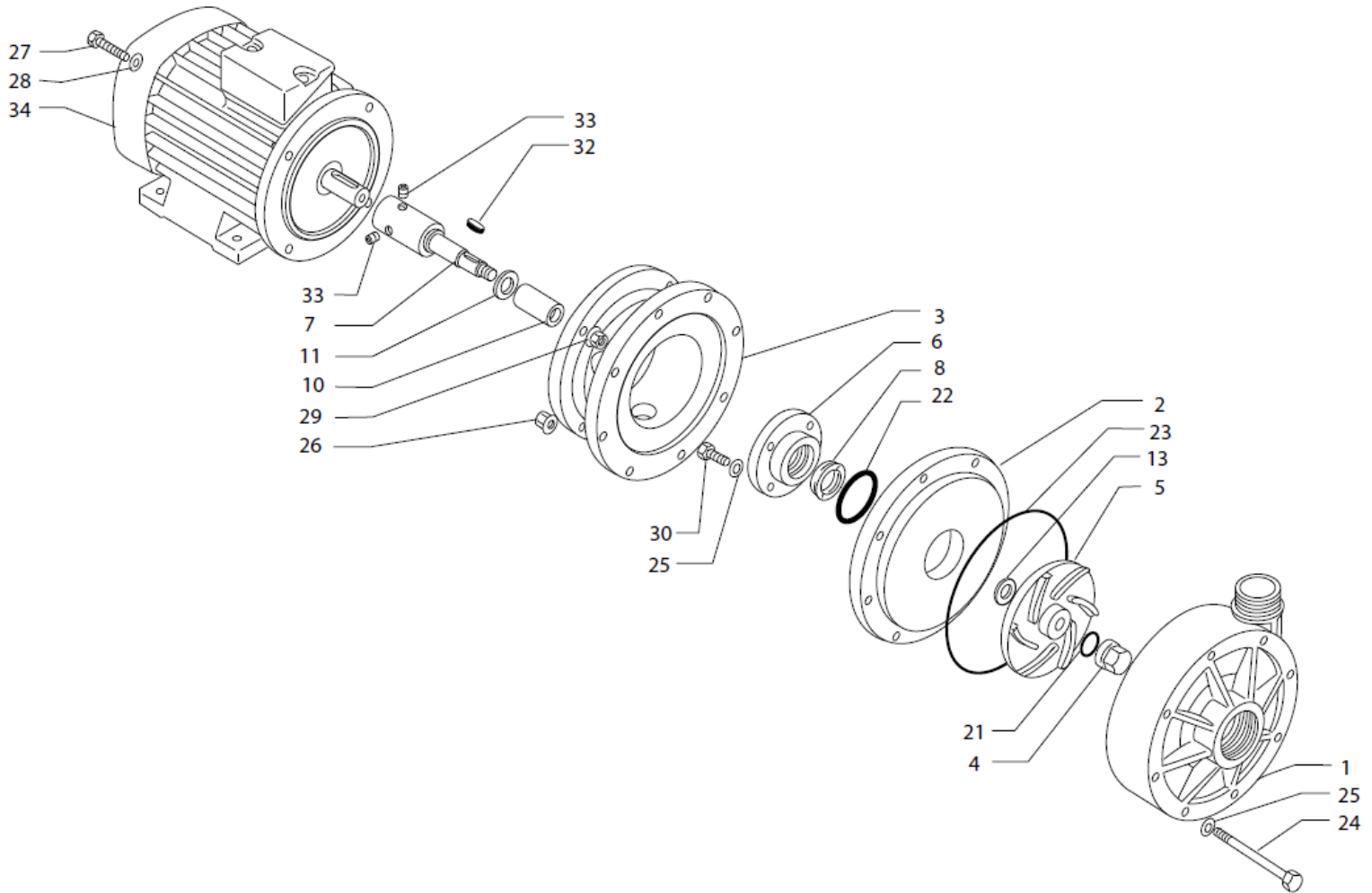


ADH 150 / 155 / 160 / 180 lip seal pump spare part list



POS	DESCRIPTION	QTY req
1	Pump body	1
2	Rear Flange	1
3	Lantern	1
4	Impeller locking nut	1
5	Impeller	1
6	Sealing Flange	1
7	Shaft	1
8	Lip seal	1
10	Ceramic bushing	1
11	Bushing spacer	1
21	O-ring	2
22	Gasket	1

POS	DESCRIPTION	QTY req
23	Pump casing gasket	1
24	Pump casing screw	8
25	Flat washer	12
26	Flanged nut	8
27	Lantern screw	4
28	Flat washer	4
29	Flanged nut	4
30	Screw	4
32	Turning lip-key	1
33	Flat-grub nut	3
34	Motor	1