

Volumetric Stainless Flexible Impeller Pumps, are mostly suitable for the transfer of delicate, fragile and viscous medium, also with solid parts in suspension



Features

- ✓ Immediate priming at a depth of up to 5 meter, even when running dry
- ✓ Flow reversibility
- ✓ Low speed motor, which ensures a gentle pumping action for delicate liquids
- ✓ Continuous and regular pumping action
- ✓ Capacity to handle viscous and solid-laden liquids
- ✓ High thickness steel (3/4mm) which ensures a higher mechanical and corrosion resistance, and therefore a longer life
- ✓ Monobloc pump casing casting for higher strength and a better seal
- ✓ The cleaning and replacement of the mechanical seal and of the impeller are incredibly simple as the pump can be taken apart with ease
- ✓ Flexible impeller made of entirely non-toxic synthetic rubber (Neoprene , NBR , EPDM) and resistant to different acids
- ✓ Mechanical seal made of INOX/ GRAPHITE/ NBR/EPDM or Tungsten/Tungsten/ NBR/EPDM

The AD Flexible impeller pumps are widely used:



In food processing
Honey, yogurt, beer, fruit pulp and juice, glyucose, brine, syrops, melted butter, liquid sugar, eggs in liquid form, tomato pulp e.t.c

In the oenological field

Stemmed grapes, wine, must, e.t.



In cosmetics industry and in the production of pharmaceutical products

Cleaning lotion, cream, shampoo, liquid soap, e.t.c

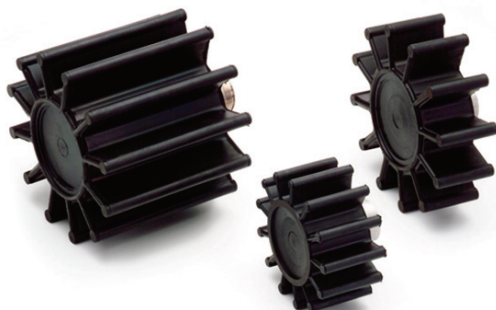
In the chemical industry

Paint, ink, water based glues, rubber latex, glycerine, wax, emulsion starch, liquid for photograph process, industrial discharges, polyelectrolyte, detergents e.t.c



Impeller made of non-toxic rubber

The impeller is made of synthetic rubber (Neoprene, EPDM, NBR) and is entirely non-toxic and resistant to several acids. Our impellers complies with the American FDA regulations related to the handling of food grade liquids



Pump casing formed as a single piece

All pump casings are constructed from high thickness stainless steel sheet metal, which ensures quality and long life. The pump casings undergo continuous quality controls of the welds and are internally and externally polished to ensure the highest level of hygiene

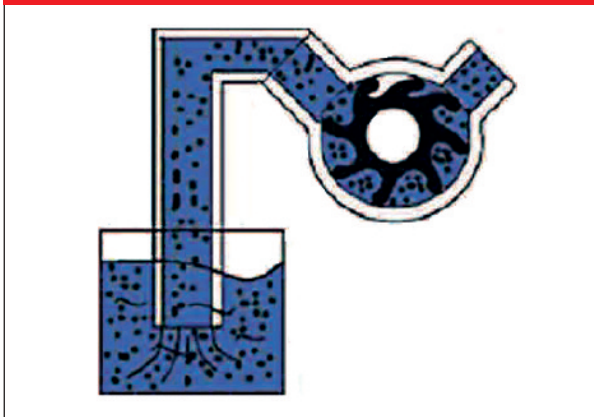


Mode of operation - Advantages

Basic pump characteristics

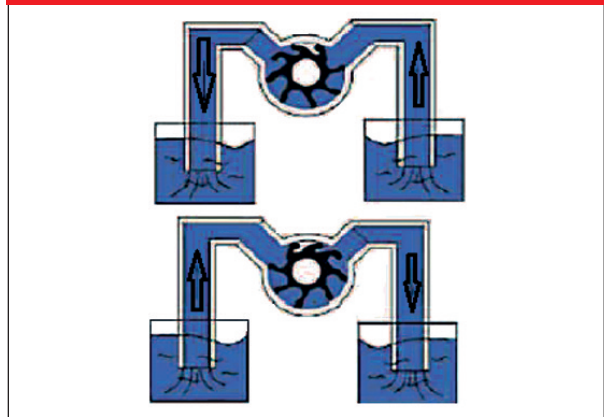
The Positive Displacement Flexible Impeller pumps, defuse the vane at the suction side. As a consequence, an intense vacuum is being created and we have the possibility for automatic suction from a depth of 6 m from a dry position. The vanes at the discharge will slightly bend, with the result being the medium to be transferred towards the exit. That way, we manage the smooth transfer of the medium at the exit without a pulse.

Self priming



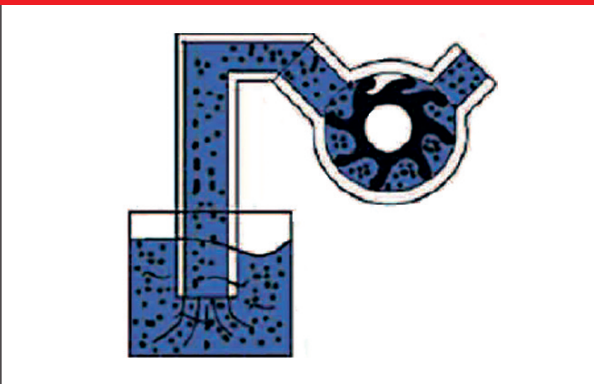
Self priming of the product up to 6m, even from a dry starting point within a few seconds.

Reversible operation



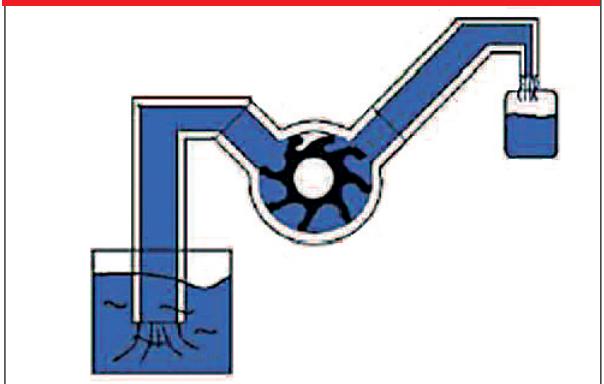
The pump can work in both the 2 directions of operation with interchange of the flow of the liquid inside the network without a problem, as many times as we want with a simple interchange of the motor direction.

Suitable for the transfer of delicate and viscous liquids



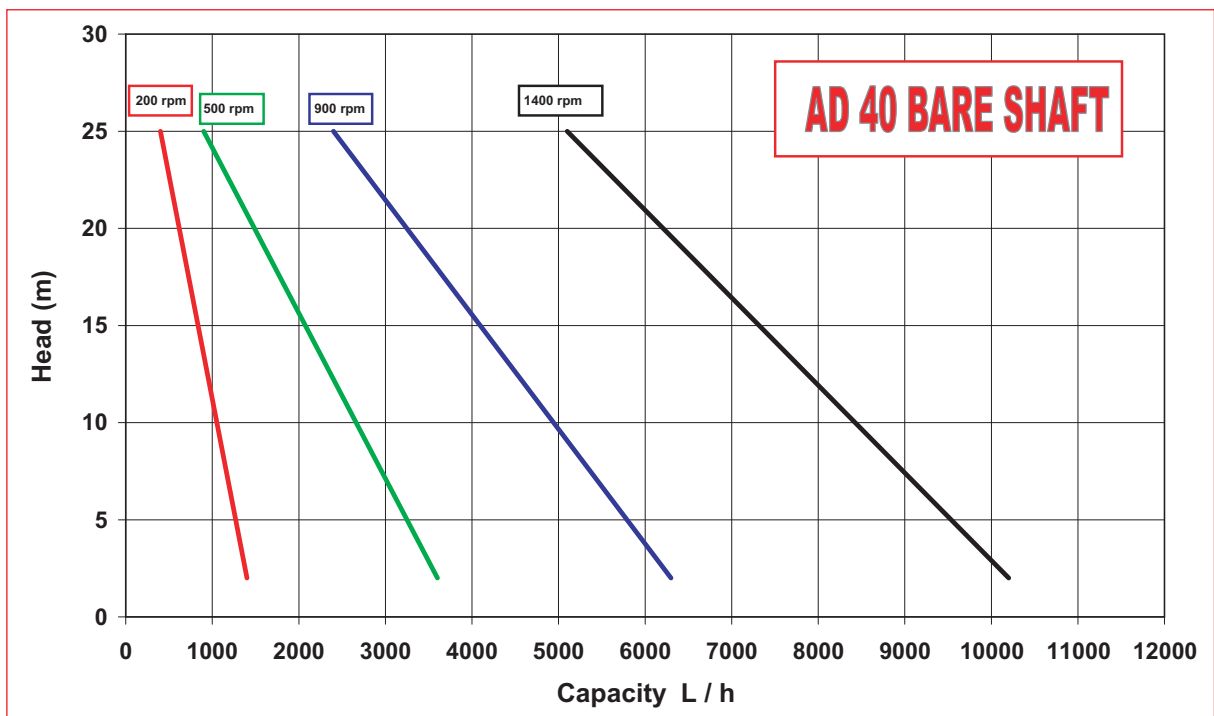
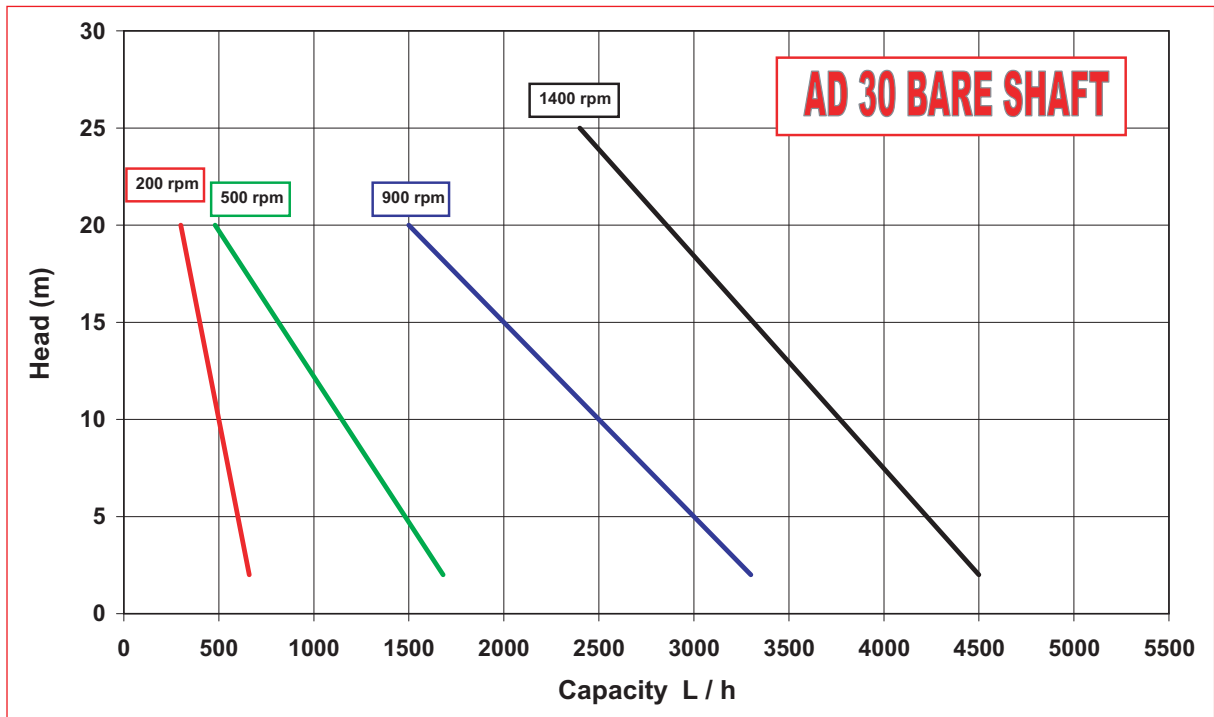
Up to 75.000 cps, even with solid suspension, without any wear out or damage.

Smooth and steady pumping of the product without

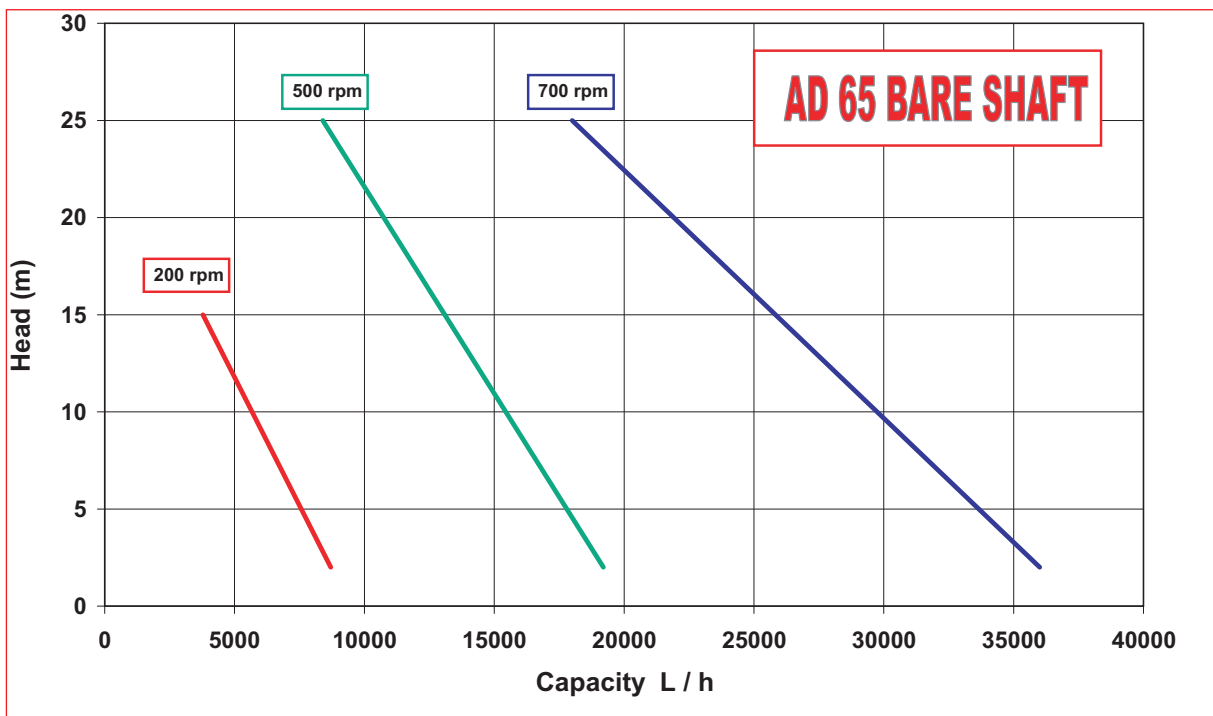
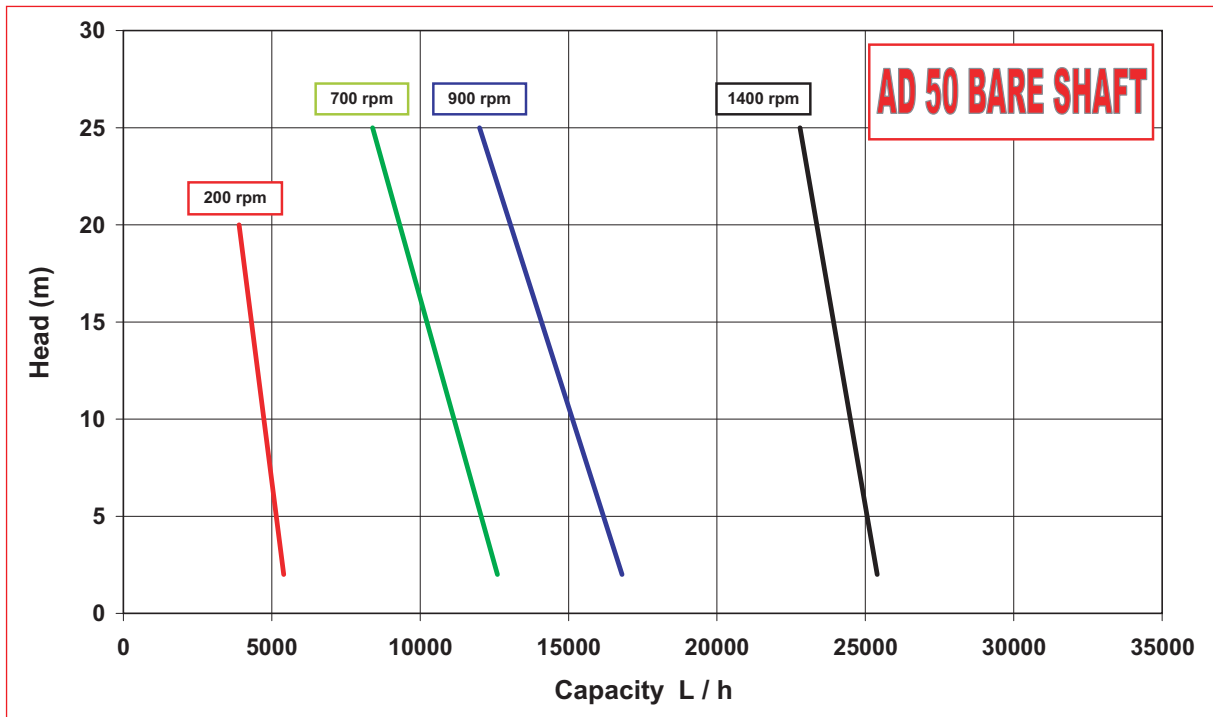


pressure from the spikes (even flow rate is ideal for filling, dosing or filtration)

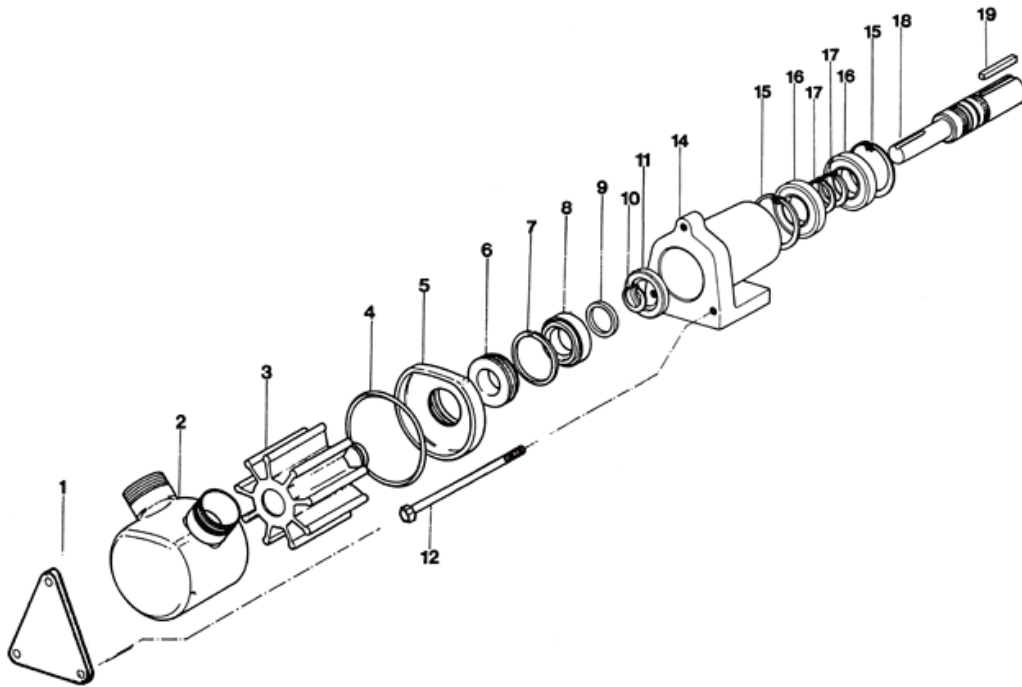
Performance curves



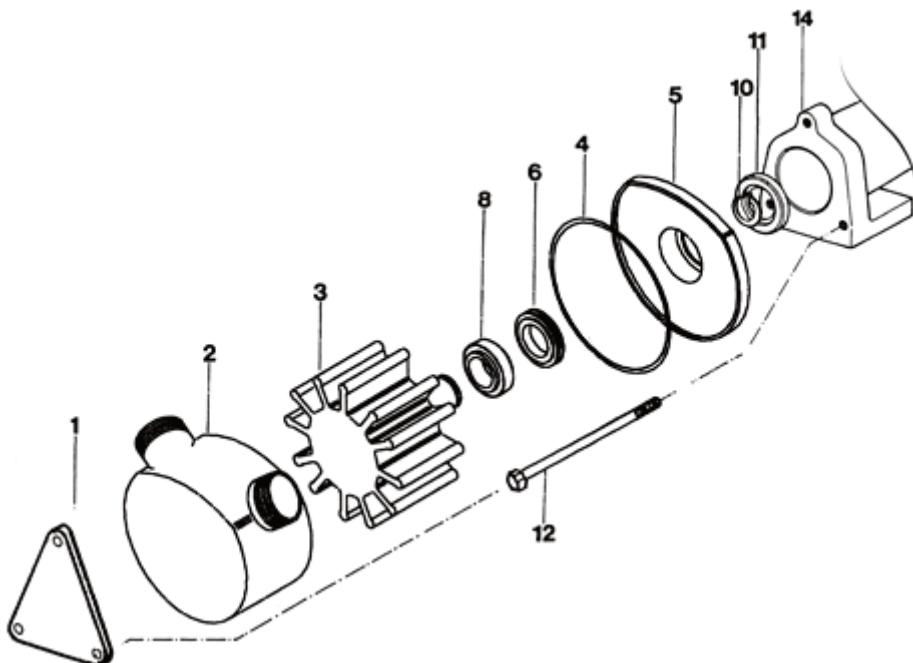
Performance curves



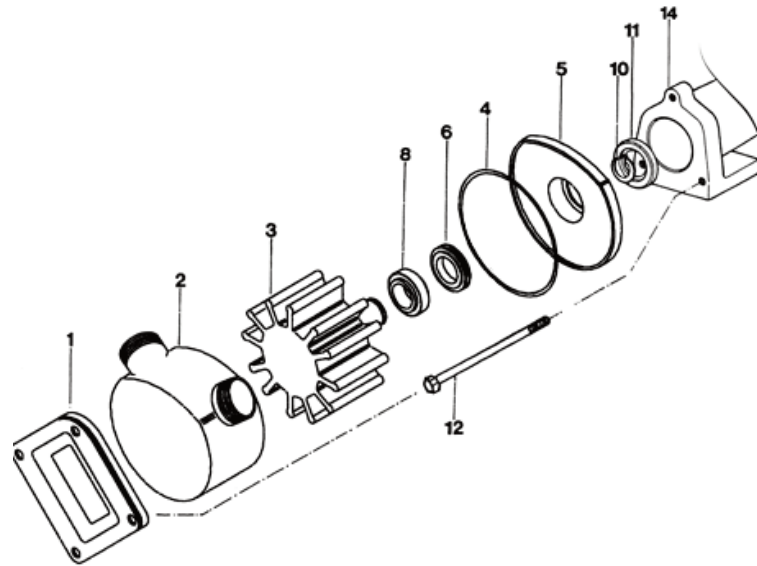
AD 30 spare part list



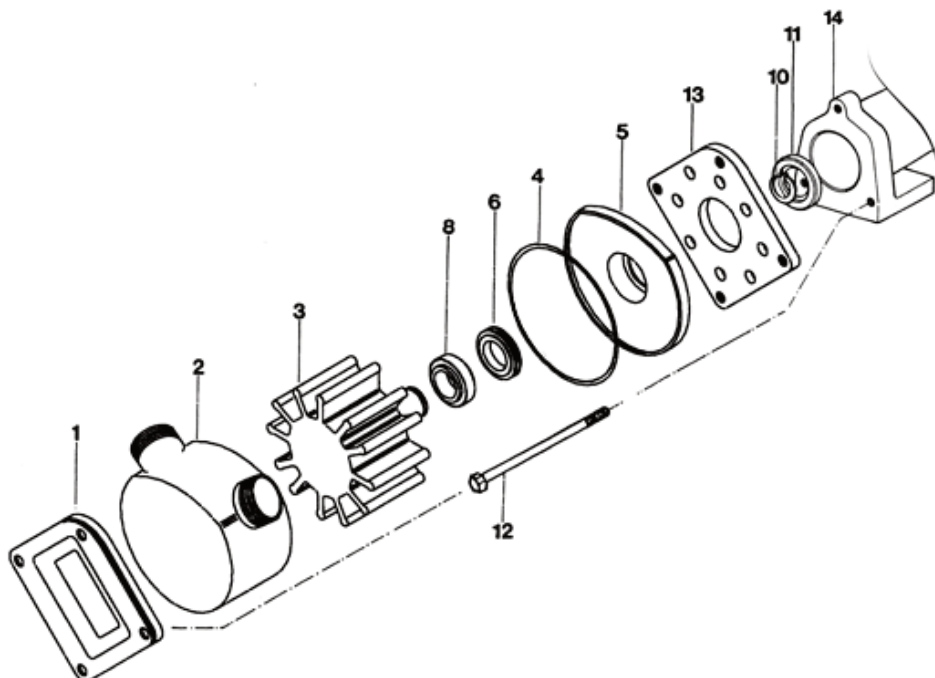
AD 40 spare part list



AD 50 spare part list

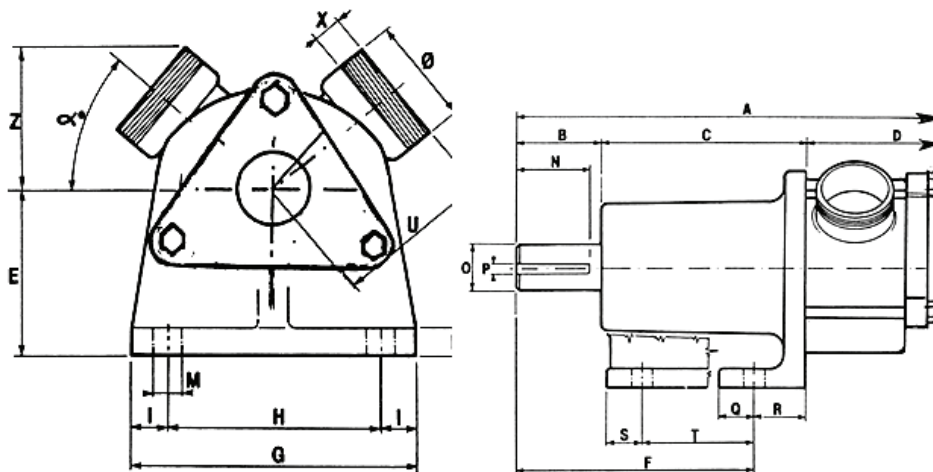


AD 65 spare part list



Pos	DESCRIPTION	MATERIAL
1	Flange	Stainless steel 304L
2	Pump casing	Stainless steel 304L
3	Impeller	CR , EPDM , NBR
4	Body seal ring	NBR , EPDM
6+8	Mechanical seal	INOX/Graphite/NBR/EPDM or Tungsten/Tungsten NBR/EPDM
7	Elastic ring	Steel
9	Spacing ring	Stainless Steel
10	Seeger ring	Steel
11	oil seal	Rubber
12	Tie rod	Stainless steel
13	Flange	Aluminum
14	Pump casing	Cast Iron
15	Seeger ring	Steel
16	Bearing	Steel
17	Seeger ring	Steel
18	Shaft	iron

Dimensions



MOD	Dimensions [mm]																				α [deg]	\emptyset	
	A	B	C	D	E	F	G	H	I	L	M	N	O	P	Q	R	S	T	U	X			Z
AD30	250	65	82	103	57	117	113	80	14	15	9	40	25	6x6	20	30	-	-	56	13	47	41°	1 1/4"
AD 40	278	65	90	123	57	120	137	85	21	14	9	50	30	8x7	30	32	-	-	71	15	53	33°	1 1/2"
AD 50	390	65	160	165	90	185	160	120	20	14	14	50	35	8x7	-	35	25	96	96	17	20	40°	2"
AD 65	360	48	174	135	90	172	160	120	20	14	14	40	35	8x7	-	35	25	96	140	21	130	40	2 1/2"



AD BARE SHAFT flexible impeller pump



ALPHADYNAMIC PUMPS Co

England Sales office:

Rockleigh House, 37 Burton Road
Ashby de la Zouch, Leicestershire
LE65 2LF - United Kingdom (UK)
Registered in ENGLAND & WALES

Registration number 09706219 - VAT No.GB220393343

Tel +44 1213 680 324, +44 1213 680472

email:sales@alphadynamicpumps.co.uk

www.alphadynamicpumps.co.uk

Hellas Production Facilities Unit 1

3 Eleftherias Str Industrial Park of Kifisia
14564 - Kifisia - Hellas

VAT No. EL 999695309

Tel +30 210 4200 338, +30 210 4200 422

Fax +30 211 268 68 37

email: info@alphadynamic.eu

www.alphadynamic.eu

Hellas Production Facilities Unit 2

30 Seneka str Industrial Park of Kifisia
14564 - Kifisia - Greece

Tel +30 215 215 9152

email: sales@rubypump.com