

Volumetric Stainless Flexible Impeller Pumps, are mostly suitable for the transfer of delicate, fragile and viscous medium, also with solid parts in suspension.



Features

- ✓ Immediate priming at a depth of up to 5 meter, even when running dry
- ✓ Flow reversibility
- ✓ Low speed motor, which ensures a gentle pumping action for delicate liquids
- ✓ Continuous and regular pumping action
- ✓ Capacity to handle viscous and solid-laden liquids
- ✓ High thickness steel (3/4mm) which ensures a higher mechanical and corrosion resistance, and therefore a longer life
- ✓ Monobloc pump casing casting for higher strength and a better seal
- ✓ The cleaning and replacement of the mechanical seal and of the impeller are incredibly simple as the pump can be taken apart with ease
- ✓ Flexible impeller made of entirely non-toxic synthetic rubber (Neoprene , NBR , EPDM) and resistant to different acids
- ✓ Mechanical seal made of INOX/ GRAPHITE/NBR/EPDM or Tungsten/Tungsten/ NBR/EPDM

Technical data

Body Material	AISI 304L
Impeller :	CR, NBR, EPDM
Max. Capacity	17 m3/h
Max Head	30 mt
Max Temperature	90°C
Intake / delivery connections	1 1/2" BSP M - DN40 DIN 11851 on request
Motor	2.0 HP 380V3/50Hz / 900 rpm 3.0 HP 380V3/50Hz / 1400 rpm

The AD Flexible impeller pumps are widely used:



In food processing
Honey, yogurt, beer, fruit pulp and juice, glycol, brine, syrups, melted butter, liquid sugar, eggs in liquid form, tomato pulp e.t.c

In the oenological field

Stemmed grapes, wine, must, e.t.



In cosmetics industry and in the production of pharmaceutical products

Cleaning lotion, cream, shampoo, liquid soap, e.t.c

In the chemical industry

Paint, ink, water based glues, rubber latex, glycerine, wax, emulsion starch, liquid for photograph process, industrial discharges, polyelectrolyte, detergents e.t.c



Impeller made of non-toxic rubber

The impeller is made of synthetic rubber (Neoprene, EPDM, NBR) and is entirely non-toxic and resistant to several acids. Our impellers comply with the American FDA regulations related to the handling of food grade liquids



Pump casing formed as a single piece

All pump casings are constructed from high thickness stainless steel sheet metal, which ensures quality and long life. The pump casings undergo continuous quality controls of the welds and are internally and externally polished to ensure the highest level of hygiene

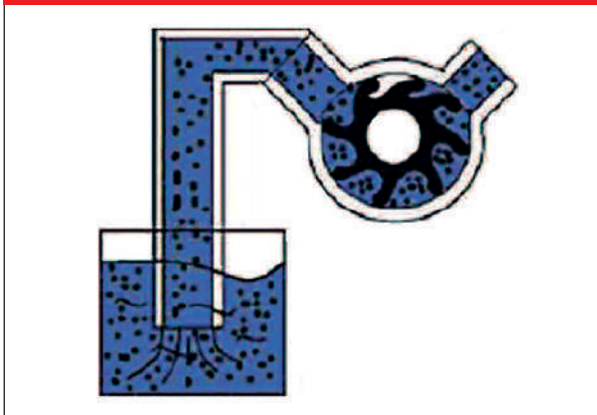


Mode of operation - Advantages

Basic pump characteristics

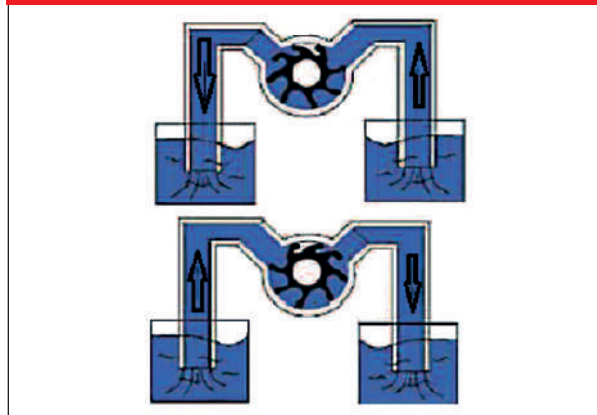
The Positive Displacement Flexible Impeller pumps, defuse the vane at the suction side. As a consequence, an intense vacuum is being created and we have the possibility for automatic suction from a depth of 6 m from a dry position. The vanes at the discharge will slightly bend, with the result being the medium to be transferred towards the exit. That way, we manage the smooth transfer of the medium at the exit without a pulse.

Self priming



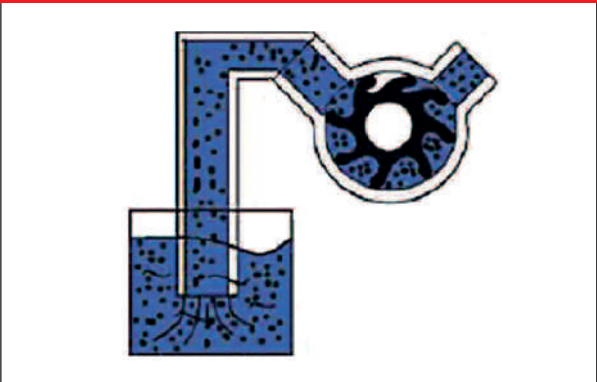
Self priming of the product up to 6m, even from a dry starting point within a few seconds.

Reversible operation



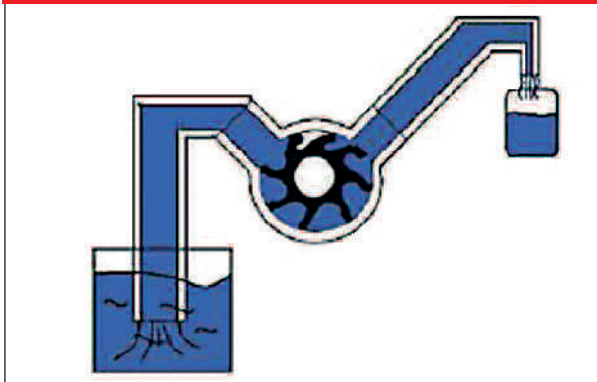
The pump can work in both the 2 directions of operation with interchange of the flow of the liquid inside the network without a problem, as many times as we want with a simple interchange of the motor direction.

Suitable for the transfer of delicate and viscous liquids



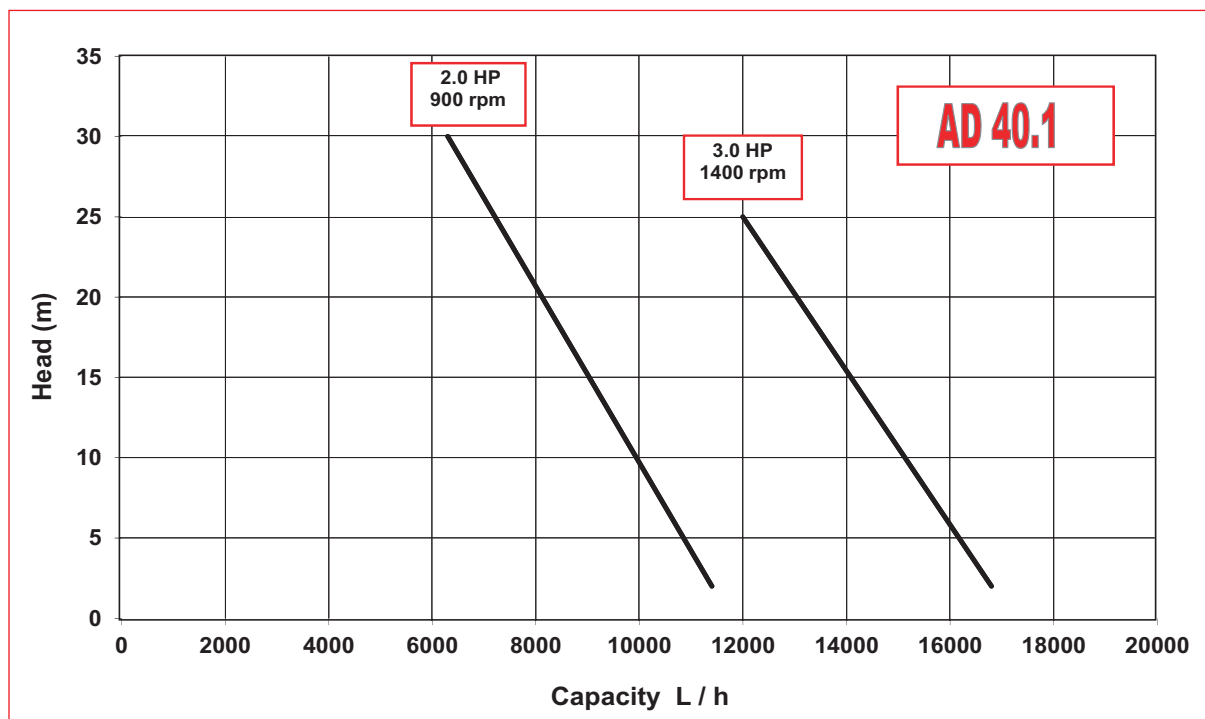
Up to 75.000 cps, even with solid suspension, without any wear out or damage.

Smooth and steady pumping of the product without



pressure from the spikes (even flow rate is ideal for filling, dosing or filtration)

Performance curves

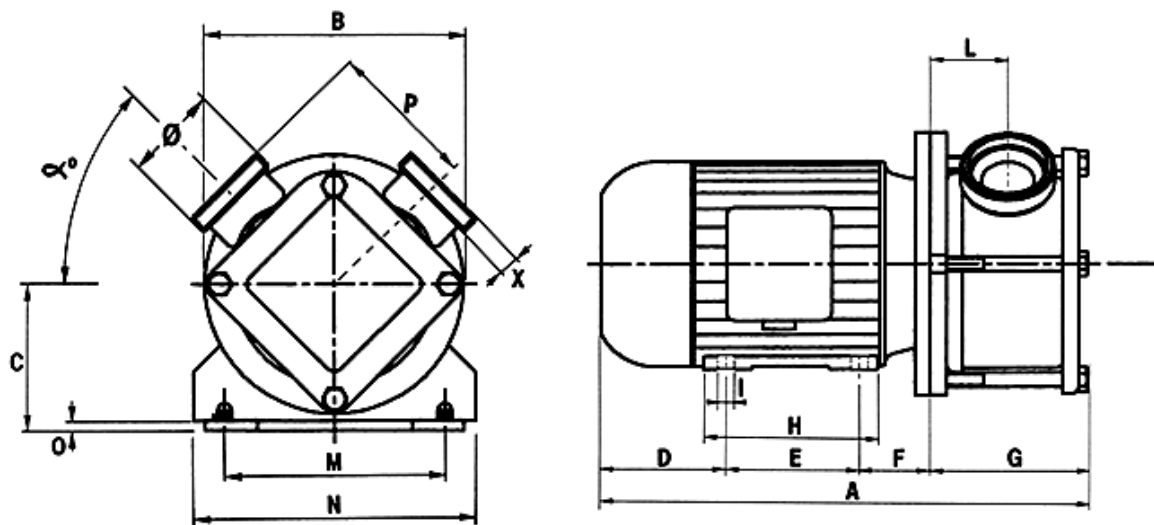


AD 40.1 spare part list



Pos	DESCRIPTION	MATERIAL
1	Flange	Stainless steel 304L
2	Pump casing	Stainless steel 304L
3	Impeller	CR, EPDM , NBR
4+5	Mechanical seal	INOX/Graphite/NBR/EPDM or Tungsten/Tungsten NBR/EPDM
6	Bosy seal ring	NBR , EPDM
7	Seal disc	Stainless steel
8	Flange	Aluminium
9	Tie rod	Stainless steel

Dimensions



TYPE	A	B	C	D	E	F	G	H	I	L	M	N	O	P	X	α°	\emptyset
AD 40.1	375	250	130	103	140	65	135	170	12	37	165	195	47.2	160	20	45°	BSP G 1 1/2" - DN40 DIN 11851 on request



AD 40.1 Flexible impeller Pump



ALPHADYNAMIC PUMPS Co

England Sales office:

Rockleigh House, 37 Burton Road
Ashby de la Zouch, Leicestershire
LE65 2LF - United Kingdom (UK)
Registered in ENGLAND & WALES

Registration number 09706219 - VAT No.GB220393343

Tel +44 1213 680 324, +44 1213 680472

email:sales@alphadynamicpumps.co.uk

www.alphadynamicpumps.co.uk

Hellas Production Facilities Unit 1

3 Eleftherias Str Industrial Park of Kifisia
14564 - Kifisia - Hellas

VAT No. EL 999695309

Tel +30 210 4200 338, +30 210 4200 422

Fax +30 211 268 68 37

email: info@alphadynamic.eu

www.alphadynamic.eu

Hellas Production Facilities Unit 2

30 Seneka str Industrial Park of Kifisia
14564 - Kifisia - Greece

Tel +30 215 215 9152

email: sales@rubypump.com