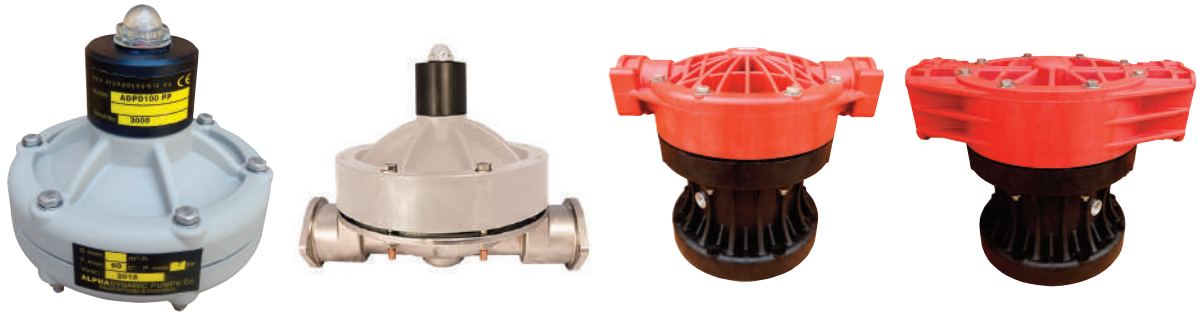


Available in PP, PVDF, ALUMINUM, AISI316, PPS-V



- ✓ Automatic dampening control
- ✓ Suitable for demanding applications
- ✓ Use in potentially-explosive atmospheres (ATEX Certifications)
- ✓ Use in environments subject to high humidity
- ✓ Actuated using non lubricated air 2 ÷ 7 BAR
- ✓ Range of construction materials ensures correct fluid compatibility
- ✓ User-Friendly parts replacement and maintenance.
- ✓ Excellent performance and value for money.

ADPD dampeners can be used with liquids having high apparent viscosity even if containing suspended solids of considerable size and they automatically adapt to system conditions without the need for manual adjustment or calibration.

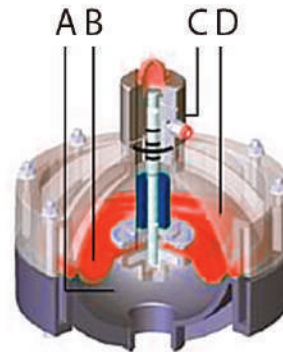
The ability to minimize pulsations, vibrations and water hammer means that this component provides excellent protection and smooth system flow.

The huge choice of construction materials allows selection of optimum chemical compatibility with the fluid and/or environment without neglecting the temperature range. Dampeners are also available for use in potentially explosive atmospheres (ATEX certification).

Diaphragm pulsation dampeners consist of a pneumatic actuator connected to the diaphragm. The sturdy outer body forms the actuator's compressed-air chamber for suppressing pressure surges on one side of the diaphragm and the chamber through which the fluid flows on the other

- A = Fluid side body
- B = Diaphragm
- C = Automatic pneumatic valve
- D = Air side body

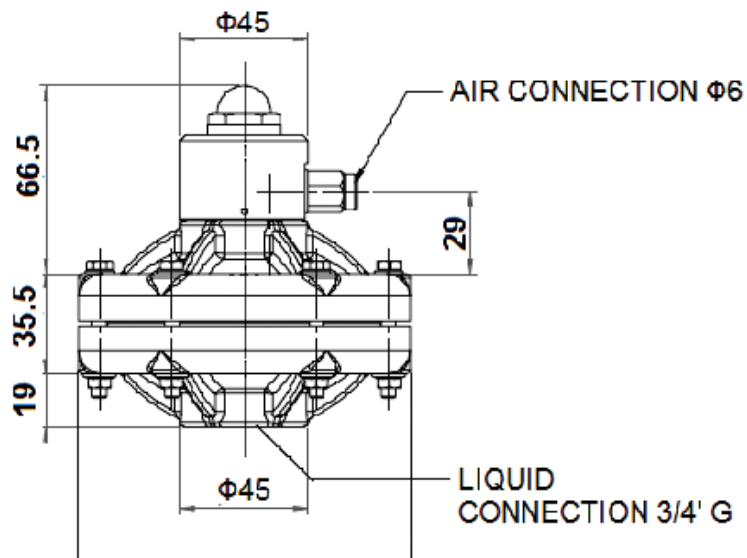
Max. operating temperature
 PP min +3°C/max +65°C
 PVDF min +3°C/max +95°C
 PPS-V min +3°C/max +95°C
 AISI 316 min +3°C/max +95°C
 Aluminum min +3°C/max +95°C



| ADPD Model | Material | Air connection | Liquid connection | Pump Model | Weight |
|------------|---------------------|----------------|-------------------|---------------------------------|---|
| ADPD 100 | PP-PPS-PVDF AISI316 | Φ 6 mm | 3/4"-1/2" AISI316 | Mini 005,017, Ruby 010 /012 | P -PVD -PPSV: 0.5Kg AISI316: 1.3Kg |
| ADPD 200 | PP-PPS-PVDF AISI316 | Φ 6 mm | 1" | Ruby 015 / 020 , Ruby 115 / 120 | PP: 1.5 Kg - PVDF - PPS: 1.7 Kg AISI316 : 2.5 Kg |
| ADPD 300 | PP-PPS-PVDF AISI316 | Φ 6 mm | 1 1/2" | Ruby 025 / 040 , Ruby 125 / 140 | PP:3.8 Kg - PVDF - PPS :4.5 Kg AISI316 : 7.5 Kg |
| ADPD 400 | PP-PVDF-ALU-AISI316 | Φ 8 mm | 2" | Ruby 050 / 051/ 150 | PP: 23 Kg - PVDF: 29 Kg AISI316: 32 Kg |
| ADPD 500 | PP-PVDF-ALU | Φ 8 mm | 3" | Ruby 080 / Ruby 081 | PP: 23 Kg - PVDF - ALU: 29 Kg |

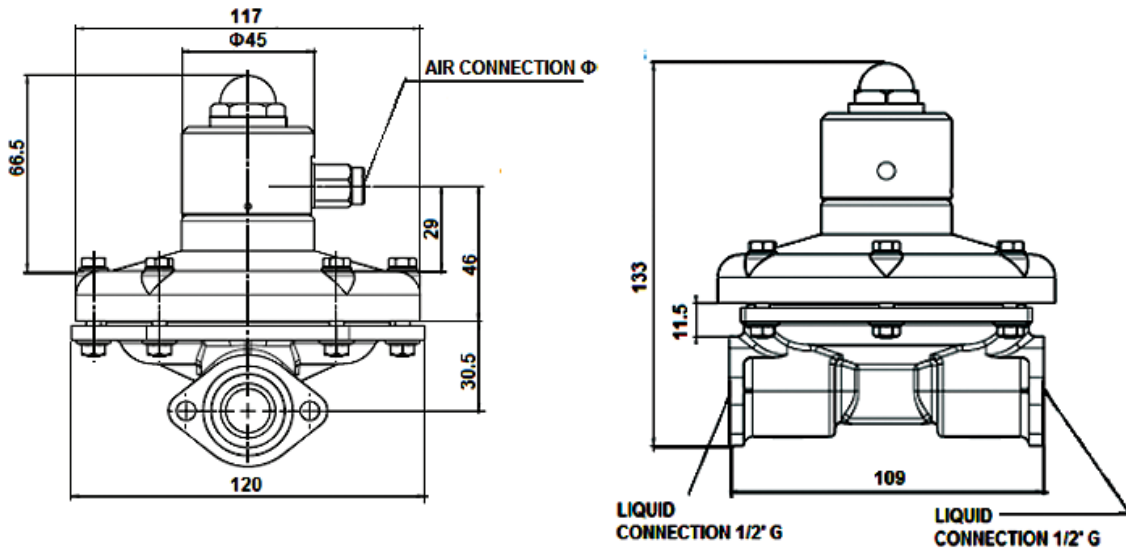
Dimensions

ADPD 100 Not Metallic

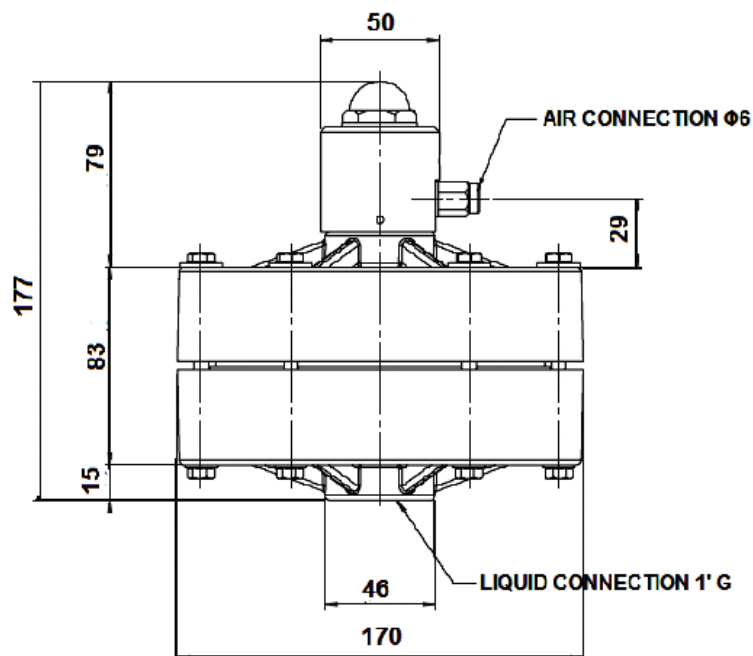


Dimensions

ADPD 100 Metallic

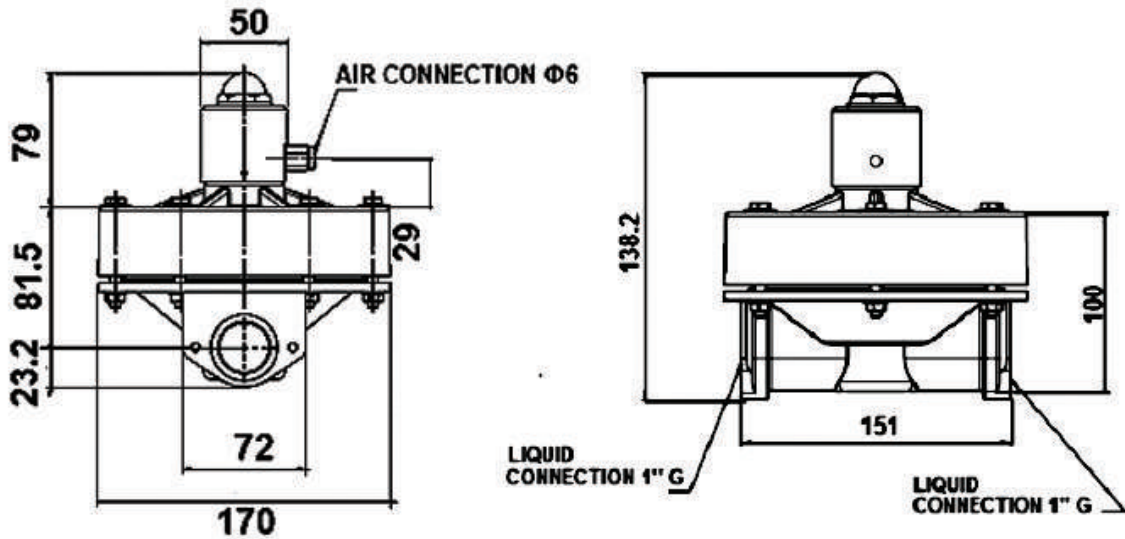


ADPD 200 Not Metallic

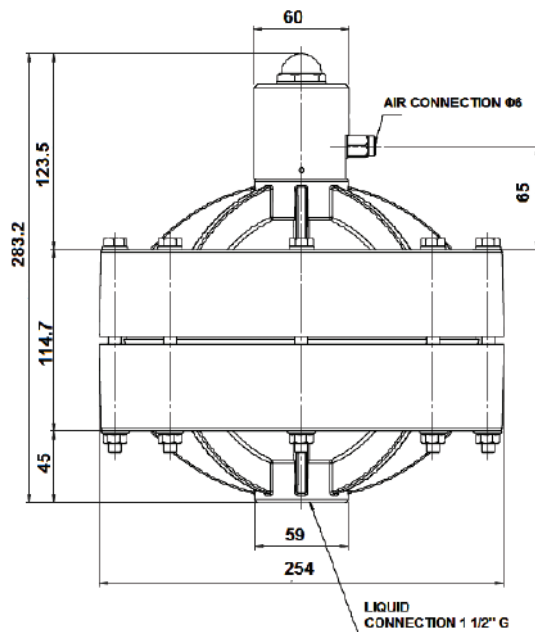


Dimensions

ADPD 200 Metalic

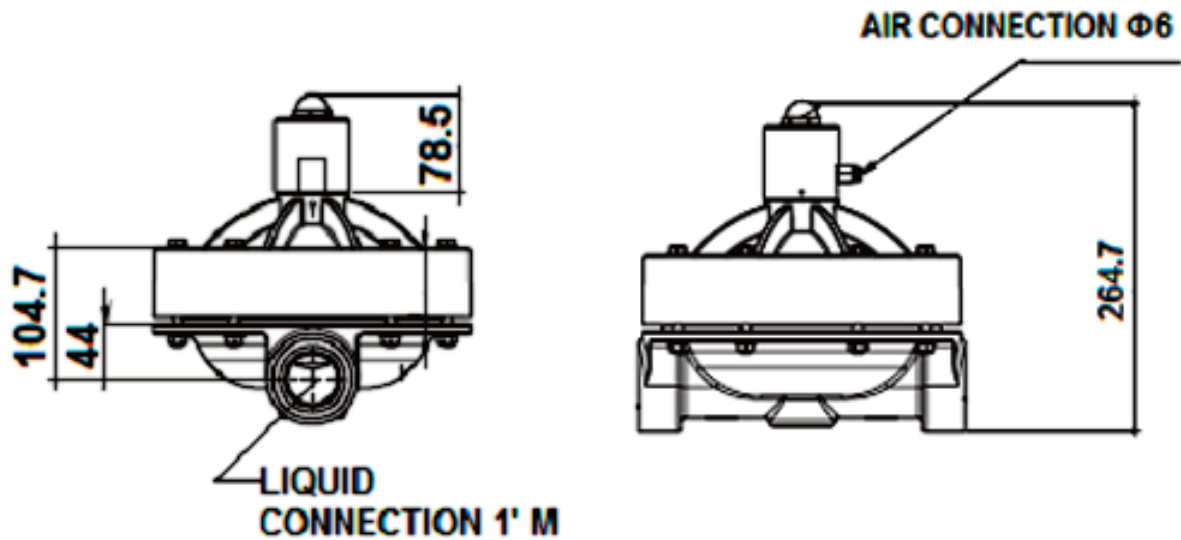


ADPD 300 NOT Metalic

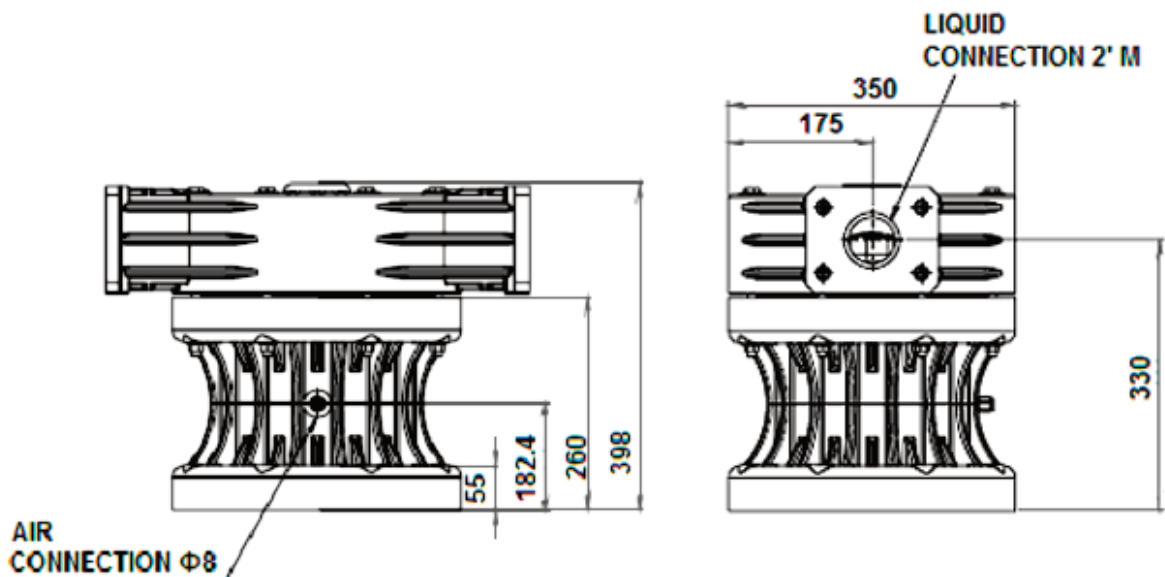


Dimensions

ADPD 300 Metallic

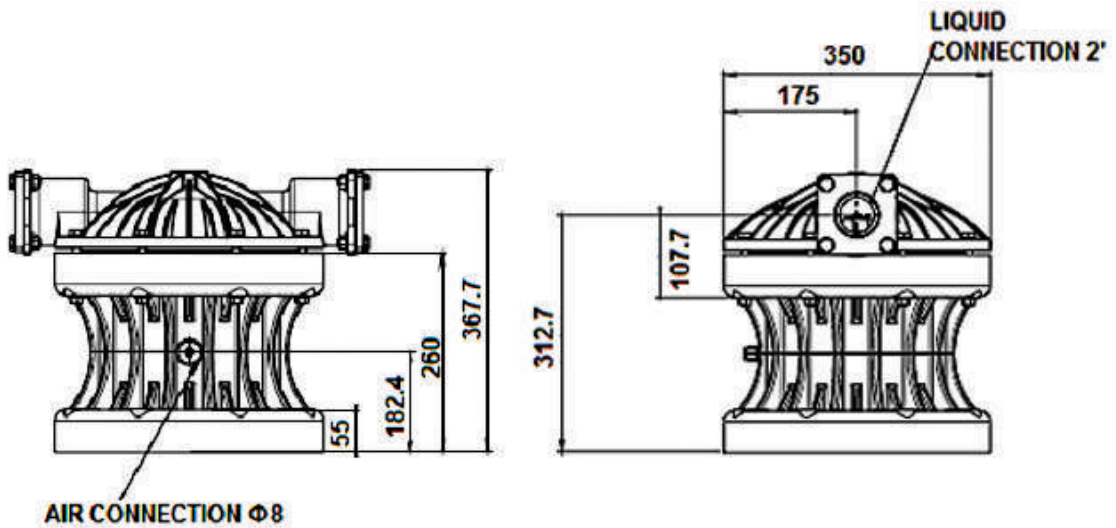


ADPD 400 NOT METALIC

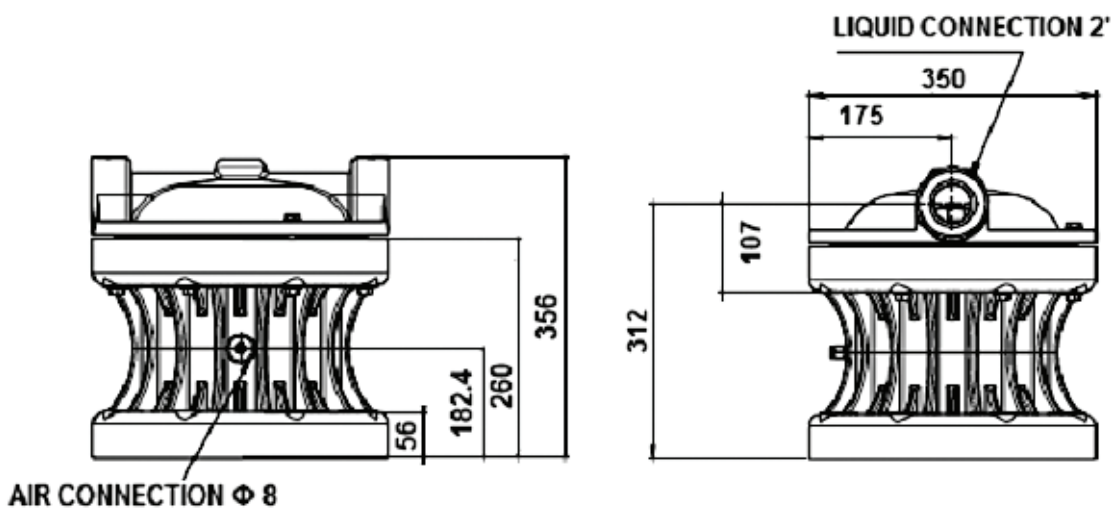


Dimensions

ADPD 400 METALIC - ALUMINUM

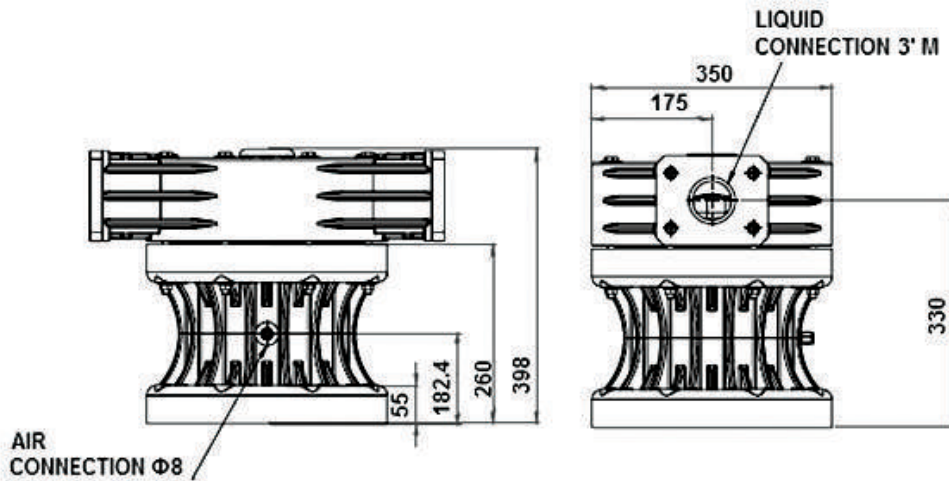


ADPD 400 METALIC - AISI316

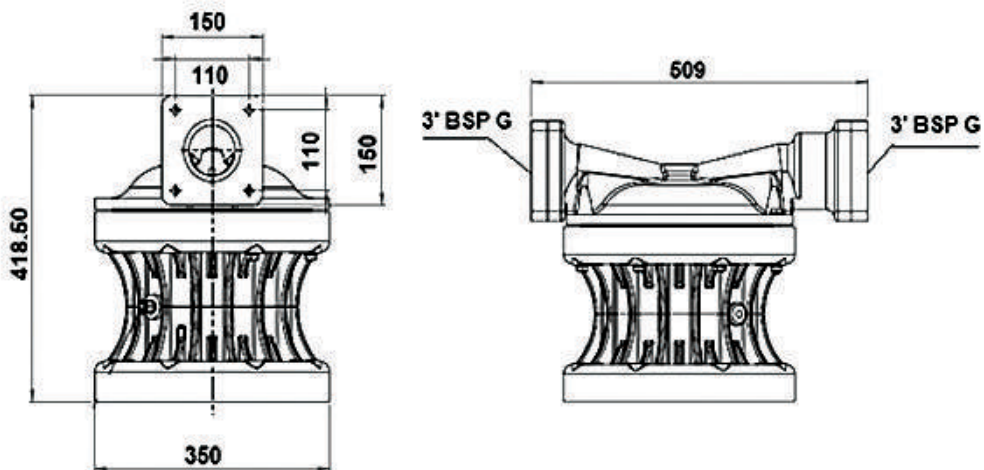


Dimensions

ADPD 500 NOT METALIC



ADPD 500 METALIC - ALUMINUM





ALPHADYNAMIC PUMPS Co

England Sales office:

Rockleigh House, 37 Burton Road
Ashby de la Zouch, Leicestershire
LE65 2LF - United Kingdom (UK)
Registered in ENGLAND & WALES
Registration number 09706219 - VAT No.GB220393343
Tel +44 1213 680 324, +44 1213 680472
email:sales@alphadynamicpumps.co.uk
www.alphadynamicpumps.co.uk

Hellas Production Facilities Unit 1

3 Eleftherias Str Industrial Park of Kifisia
14564 - Kifisia - Hellas
VAT No. EL 999695309
Tel +30 210 4200 338, +30 210 4200 422
Fax +30 211 268 68 37
email: info@alphadynamic.eu
www.alphadynamic.eu

Hellas Production Facilities Unit 2

30 Seneka str Industrial Park of Kifisia
14564 - Kifisia - Greece
Tel +30 215 215 9152
email: sales@rubypump.com