

ALPHADYNAMIC PUMPS presents it's new range of progressive cavity pumps ATLAS W Completely renewed mechanics to increase the performance, with a new design and a universal construction, ATLAS W pumps can handle any task, from low viscous to high viscous liquids .



Features

- ✓ Length Geometry
- ✓ Length Pitch
- ✓ Lower Sliding Velocity
- ✓ Higher Performance compared to classic geometry
- ✓ Minor service requirements
- ✓ Stability in pressure & flow due to longer sealing lines
- ✓ Improved flow characteristics
- ✓ Reduced Vibration, Turbulence, shear rates & pulsation
- ✓ Smooth and performance
- ✓ Improved volumetric, Mechanical & overall efficiency
- ✓ Block construction minimizes overall dimensions, providing a shorter pump length. Eliminates the need for coupling and cover protection.
- ✓ Can be installed vertically or horizontally to suit the application. Can run in either direction.

Technical data

Max. Pressure	12 BAR
Max. Capacity	75 m3/h
Max. Viscosity	Up to 500.000 cPs
Max. operating temperature	100°C

Construction Materials

Basic pump characteristics

- ▶ Liquids with solid suspensions without damage
- ▶ Liquids that require gentle handling

Construction Materials:

- ▶ Body Pump: Stainless steel 316 / 304
- ▶ Ports: DN 11851 X Hopper
- ▶ The rotating parts are in Stainless steel 316L / Stainless steel 304L
- ▶ Seal: Mechanical Seal Sic/Sic/FKM or EPDM, Cer/Graph/FKM or EPDM
- ▶ Stator: NBR, EPDM, HYPALON, FKM

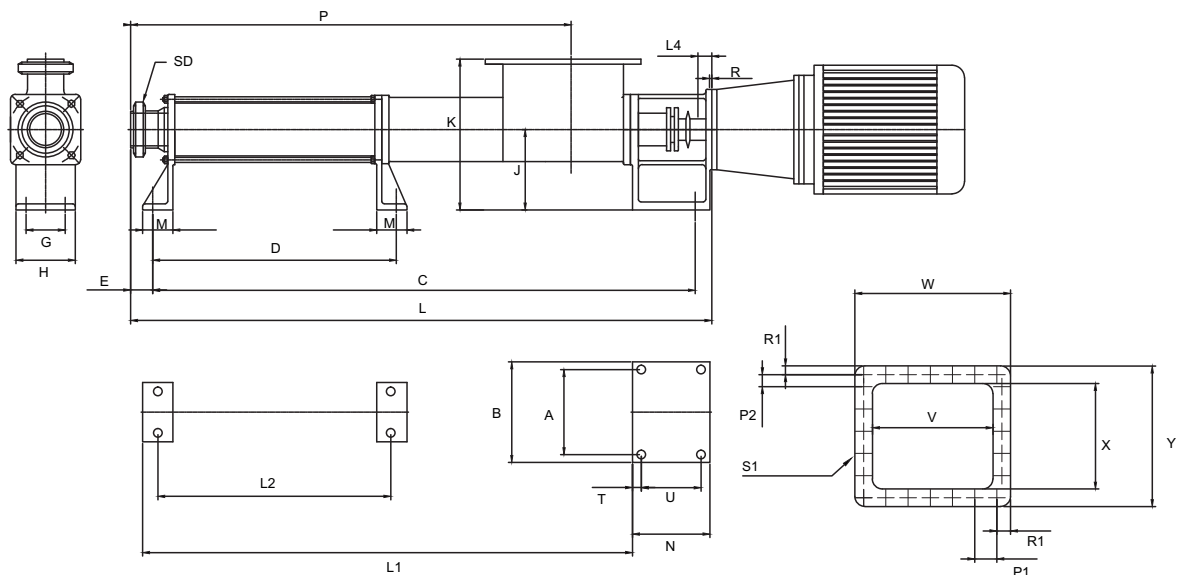
Most common industrial applications are:

- ▶ Food and Beverage industry like honey, sugar, pastes, oil, yogurt, juices, wine, must, chocolate, butter, pulp etc
- ▶ Cosmetics industry like shampoo, cream, liquid soap etc
- ▶ Varnish and paint industry like ink, paints, glue
- ▶ Many other industrial sectors like mining, agriculture, shipping building and textile
- ▶ Petrochemistry

They are used for the transfer of:

- ▶ Low viscous and high viscous liquids, even paste-like

PUMP SIZE	ATLAS W - BASIC DIMENSIONS -mm-																					
	A	B	C	D	E	G	H	J	K	P	M	N	L	S1	V	W	X	Y	P1	P2	R1	PORTS
ATLAS W15-1	120	150	562		36	50	75	120	195	400	45	124	632	12XØ8	140	190	120	170	56,5	50	10	DN32
ATLAS W21-1	120	150	614		36	50	75	120	195	452	45	124	684	12XØ8	140	190	120	170	56,5	50	10	DN40
ATLAS W31-1	140	180	850		51	70	110	155	255	664	50	138	923	16XØ10	200	270	180	250	60	55	15	DN50
ATLAS W38-1	150	200	1032	485	44	78	118	160	300	877	60	154	1157	16XØ10	240	310	210	280	70	62,5	15	DN65
ATLAS W45-1	150	210	1087	540	44	78	118	160	300	932	60	154	1212	16XØ10	240	310	210	280	70	70	15	DN80
ATLAS W53-1	170	210	1343	657	44	92	142	200	340	1122	70	178	1477	18XØ12	330	400	240	310	74	70	15	DN100
ATLAS W63-1	180	220	1582	757	47	110	152	225	385	1351	75	190	1731	20XØ15	495	575	275	355	90	90	17,5	DN100
ATLAS W32	140	180	850		51	70	110	155	255	664	50	138	923	16XØ10	200	270	180	250	60	55	15	DN50
ATLAS W42	150	200	1032	485	44	78	118	160	300	877	60	154	1157	16XØ10	240	310	210	280	70	62,5	15	DN65
ATLAS W52	170	210	1343	657	44	92	142	200	340	1122	70	178	1477	18XØ12	330	400	240	310	74	70	15	DN100
ATLAS W62	180	220	1582	757	47	110	152	225	385	1351	75	190	1731	20XØ15	495	575	275	355	90	90	17,5	DN100





ALPHADYNAMIC PUMPS Co

England Sales office:

Rockleigh House, 37 Burton Road
Ashby de la Zouch, Leicestershire
LE65 2LF - United Kingdom (UK)
Registered in ENGLAND & WALES
Registration number 09706219 - VAT No.GB220393343
Tel +44 1213 680 324 , +44 1213 680472
email:sales@alphadynamicpumps.co.uk
www.alphadynamicpumps.co.uk

Hellas Production Facilities Unit 1

3 Eleftherias Str Industrial Park of Kifisia
14564 - Kifisia - Hellas
VAT No. EL 999695309
Tel +30 210 4200 338 , +30 210 4200 422
Fax +30 211 268 68 37
email: info@alphadynamic.eu
www.alphadynamic.eu

Hellas Production Facilities Unit 2

30 Seneka str Industrial Park of Kifisia
14564 - Kifisia - Greece
Tel +30 215 215 9152
email: sales@rubypump.com