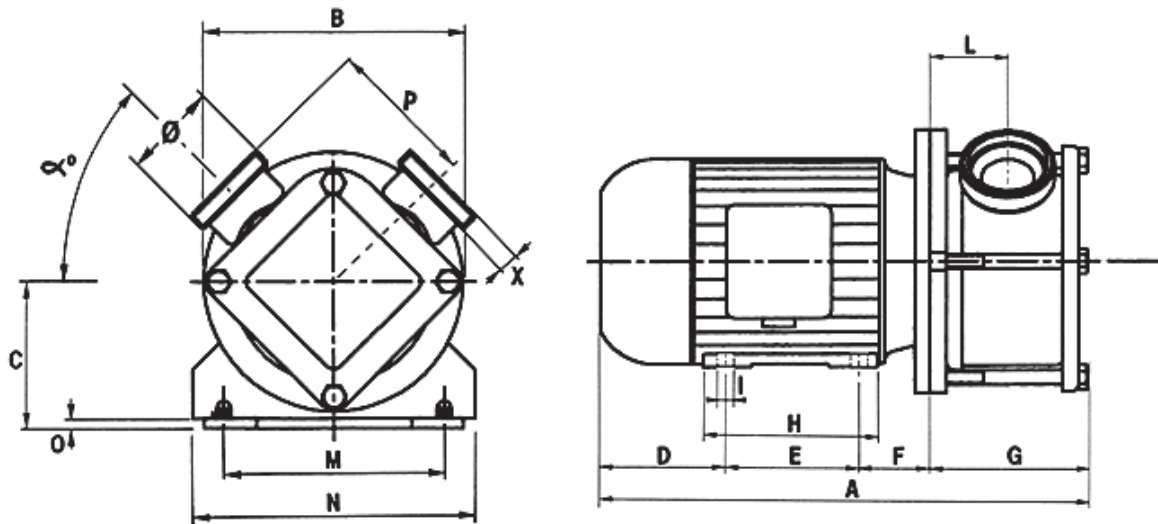


### Dimensiones



TYPE	A	B	C	D	E	F	G	H	I	L	M	N	O	P	X	$\alpha^\circ$	$\emptyset$
AD 40.1	375	250	130	103	140	65	135	170	12	37	165	195	47.2	160	20	45°	BSP G 1 1/2" - DN40 DIN 11851 on request