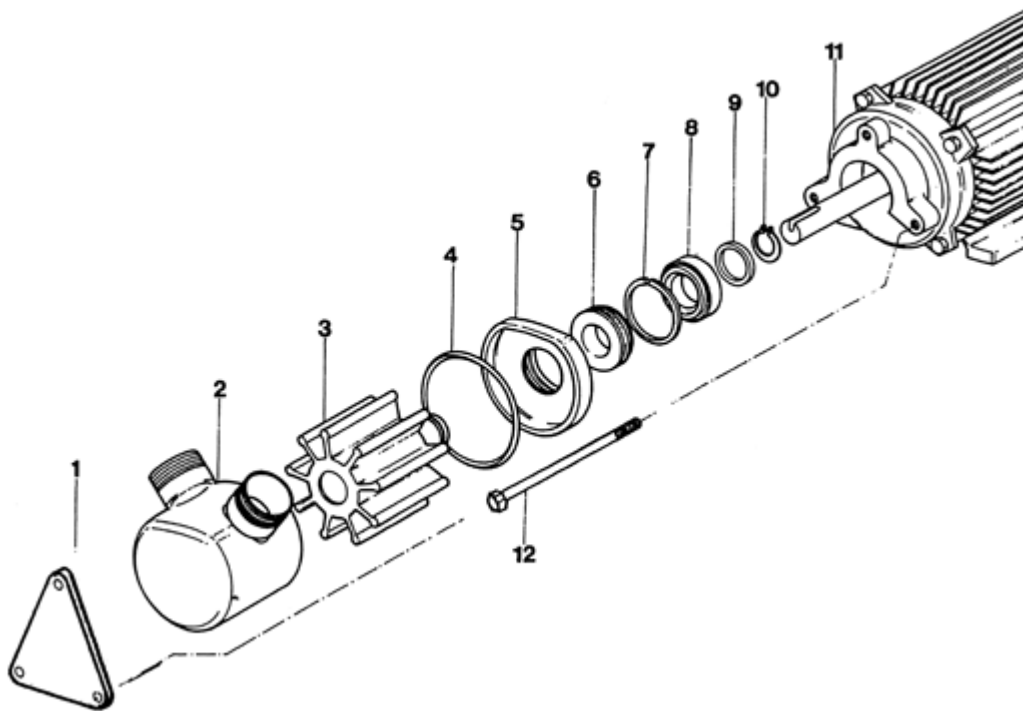


AD 30 Flexible impeller spare part list



Pos	DESCRIPTION	MATERIAL
1	Flange	Stainless steel 304L
2	Pump casing	Stainless steel 304L
3	Impeller	CR , EPDM , NBR
4	Body seal ring	NBR , EPDM
5	Rear cap	Stainless steel 304L
7	Elastic ring	Steel
6+8	Mechanical seal	INOX/Graphite/NBR/EPDM or Tungsten/Tungsten NBR/EPDM
9	Compensation ring	Stainless Steel
10	Seeger ring	Steel
11	Electric motor	