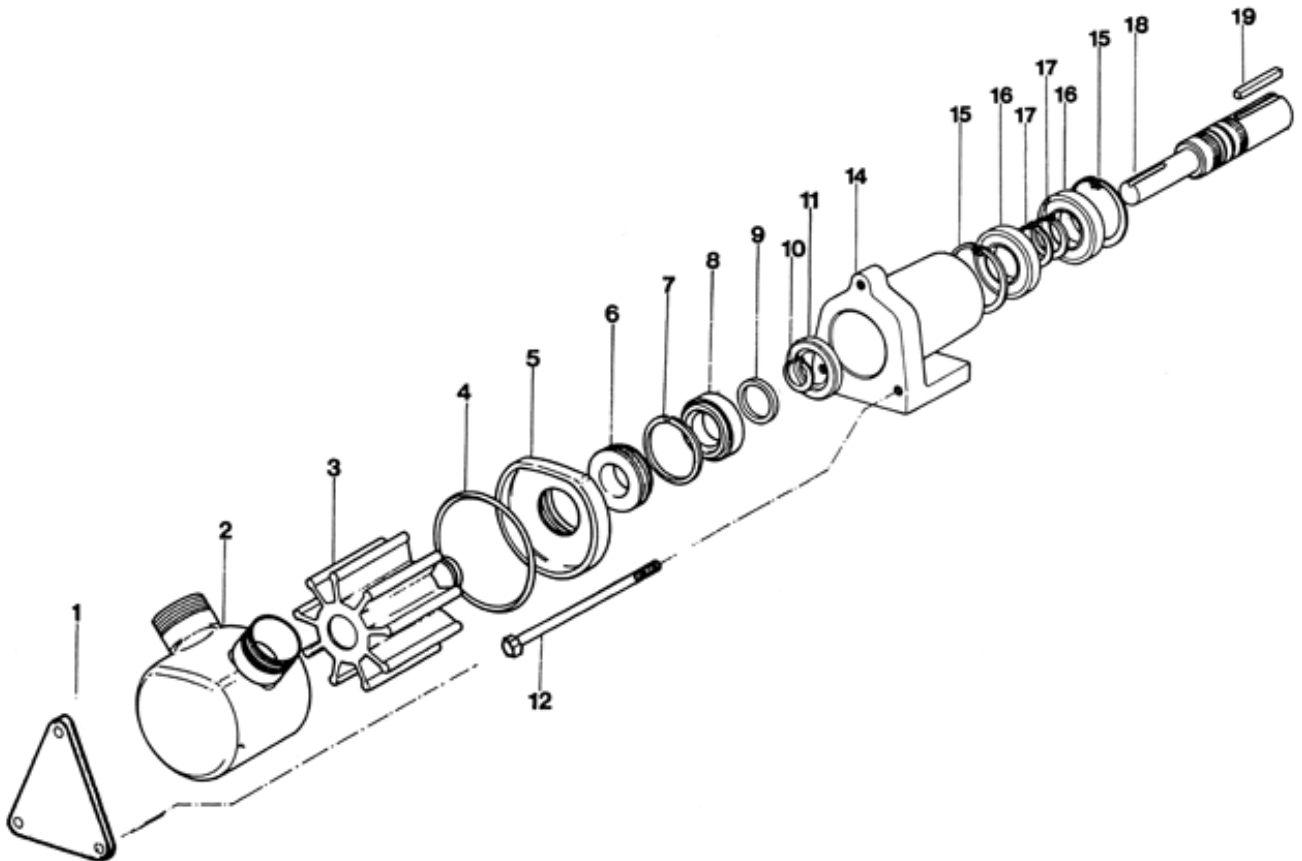


AD 30 / 040 bare shaft Flexible impeller spare part list



Pos	DESCRIPTION	MATERIAL
1	Flange	Stainless steel 304L
2	Pump casing	Stainless steel 304L
3	Impeller	CR , EPDM , NBR
4	Body seal ring	NBR , EPDM
6+8	Mechanical seal	INOX/Graphite/NBR/EPDM Tungsten/Tungsten NBR/EPDM
7	Elastic ring	Steel
9	Spacing ring	Stainless Steel
10	Seeger ring	Steel
11	oil seal	Rubber

Pos	DESCRIPTION	MATERIAL
12	Tie rod	Stainless steel
13	Flange	Aluminum
14	Pump casing	Cast Iron
15	Seeger ring	Steel
16	Bearing	Steel
17	Seeger ring	Steel
18	Shaft	iron
19	Insert	Iron