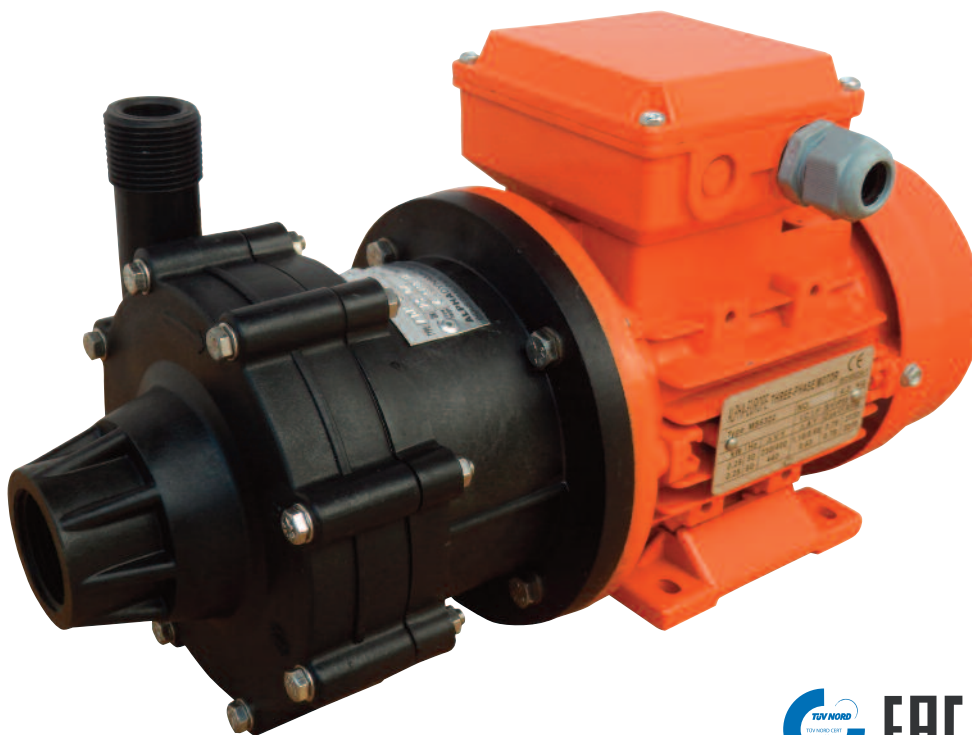


Features

Mag drive centrifugal pumps series ADM 4 PP/PVDF are made of thermoplastic materials (Polypropylene and PVDF) and are suitable for high corrosive liquids.

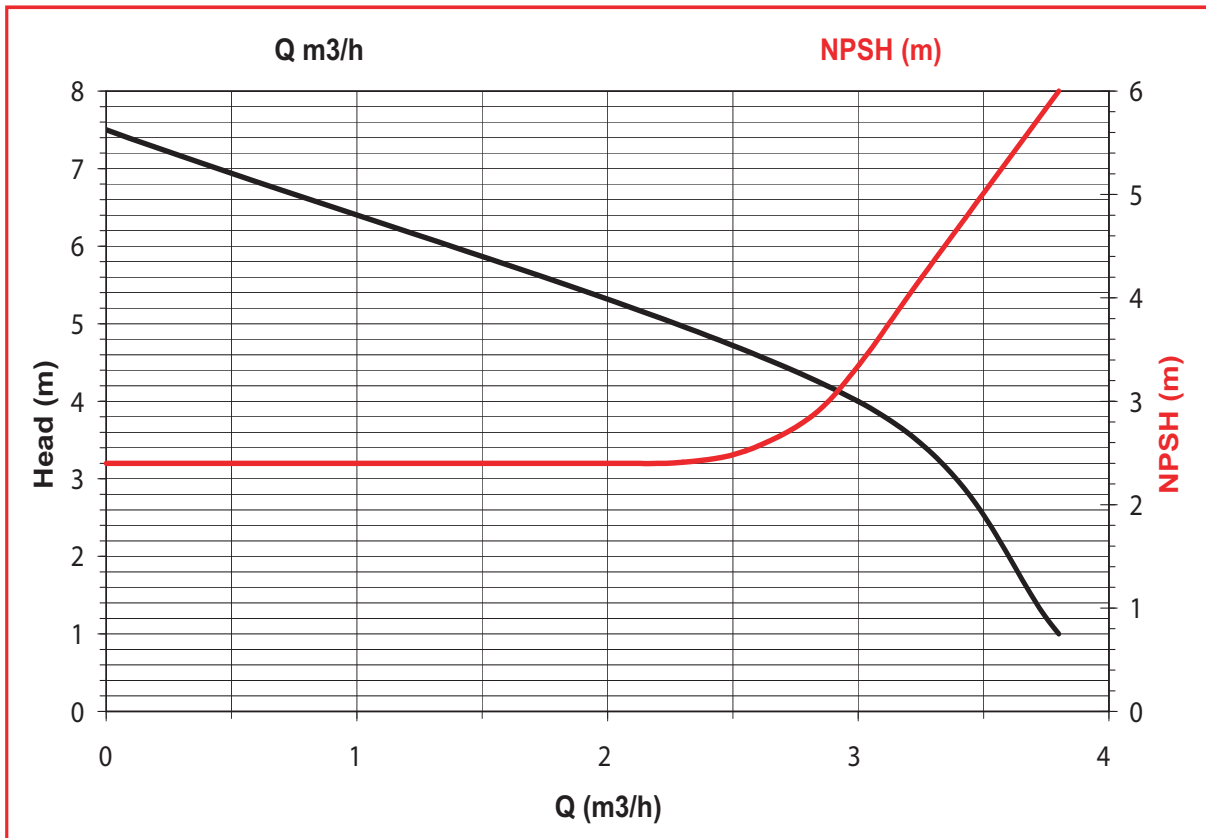
Thanks to the innovative mag drive system, pumps model ADM 4 PP/PVDF reduce the risks of losses and the maintenance costs. The transmission of the motion occurs through magnetic joints without using mechanical seals. This guarantees the maximum safety and efficiency.



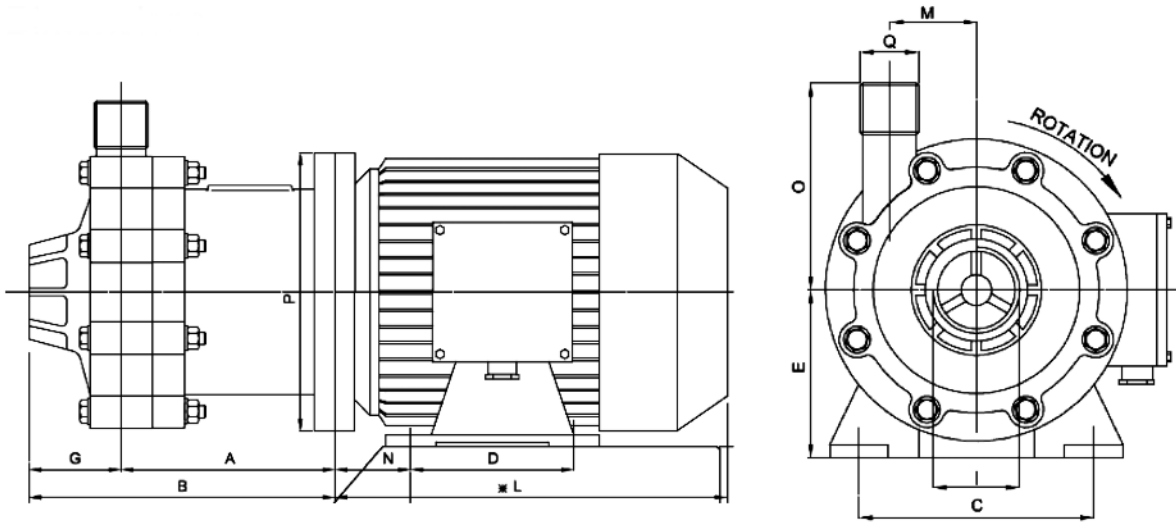
Technical data

Construction materials	PP - PVDF
Max Capacity	3.5 m ³ /h
Max Head	7 m
Max Temperature	PP 60°C , PVDF 90°C
Max viscosity	200 cSt
Intake / Delivery connections	1 " (F) x 1/2" (M)
Pump weight without motor	PP 1.0 kg, PVDF 1,1 Kg
Pump weight with motor	PP 4,3 Kg, PVDF 4,4 Kg
Motor	0.16HP 380V/3/50Hz 2800 RPM

Performances

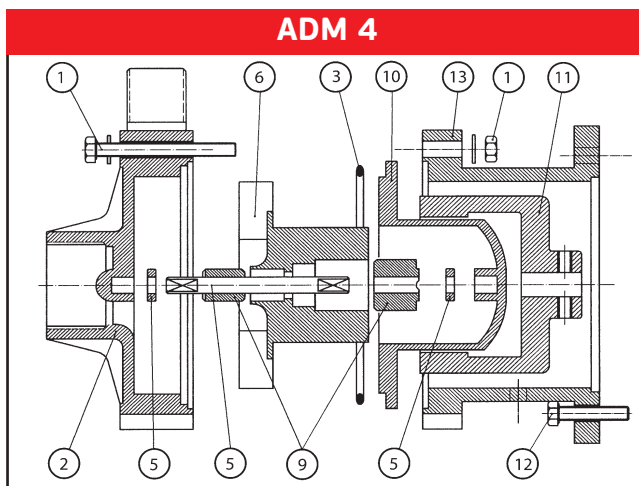


Dimensions



Pump Type	Motor Flange B3-B5	Kw	Dimensions -mm-														
			A	B	C	D	E	F	G	H	I	L	M	N	O	P	Q
ADM 4	56	0.12	76	115	90	71	56	--	39	--	1" FEMALE	176	36	34	80	120	1/2" MALE

ADM series section & spare part list



POS	PART. DESCR.	MATERIALS
1	SET SCREWS	AISI 304
2	PUMP CASING	PP - PVDF
3	O-RING	EPDM / VITON
5	SHAFT + RING	Al203
6	INTERNAL ROTATING KIT	PP/PVDF
9	BEARING	PTFEC
10	REAR CASING	PP - PVDF
11	EXTERNAL MAGNET	C40 NeFeb
12	SCREWS	AISI 304
13	BRACKET	PP



ALPHADYNAMIC PUMPS Co

England Sales office:

Rockleigh House, 37 Burton Road
Ashby de la Zouch, Leicestershire
LE65 2LF - United Kingdom (UK)
Registered in ENGLAND & WALES
Registration number 09706219 - VAT No.GB220393343
Tel +44 1213 680 324, +44 1213 680472
email:sales@alphadynamicpumps.co.uk
www.alphadynamicpumps.co.uk

Hellas Production Facilities Unit 1

3 Eleftherias Str Industrial Park of Kifisia
14564 - Kifisia - Hellas
VAT No. EL 999695309
Tel +30 210 4200 338, +30 210 4200 422
Fax +30 211 268 68 37
email: info@alphadynamic.eu
www.alphadynamic.eu

Hellas Production Facilities Unit 2

30 Seneka str Industrial Park of Kifisia
14564 - Kifisia - Greece
Tel +30 215 215 9152
email: sales@rubypump.com