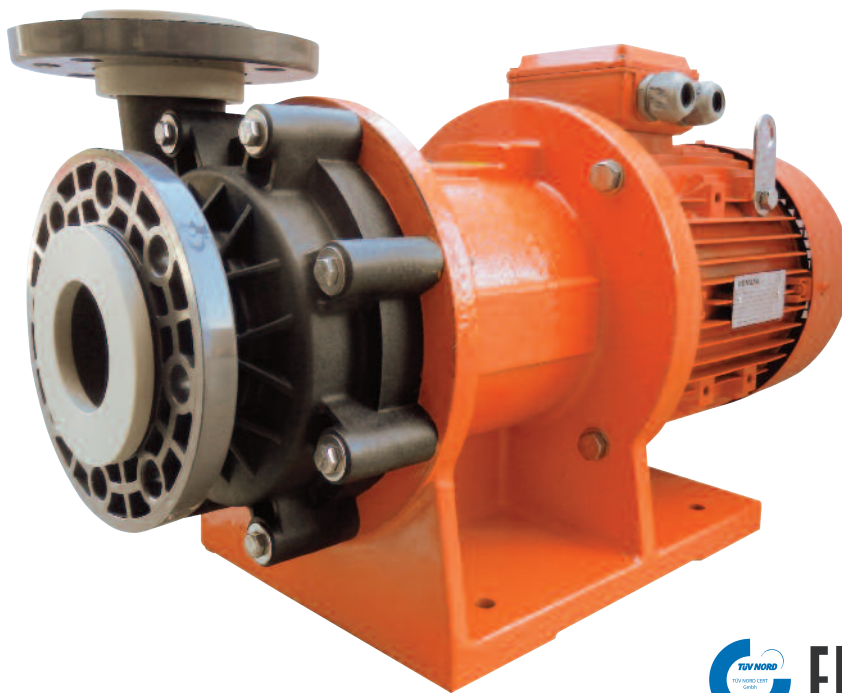


Features

Mag drive centrifugal pumps series ADM 50 PP/PVDF are made of thermoplastic materials (Polypropylene and PVDF) and are suitable for high corrosive liquids.

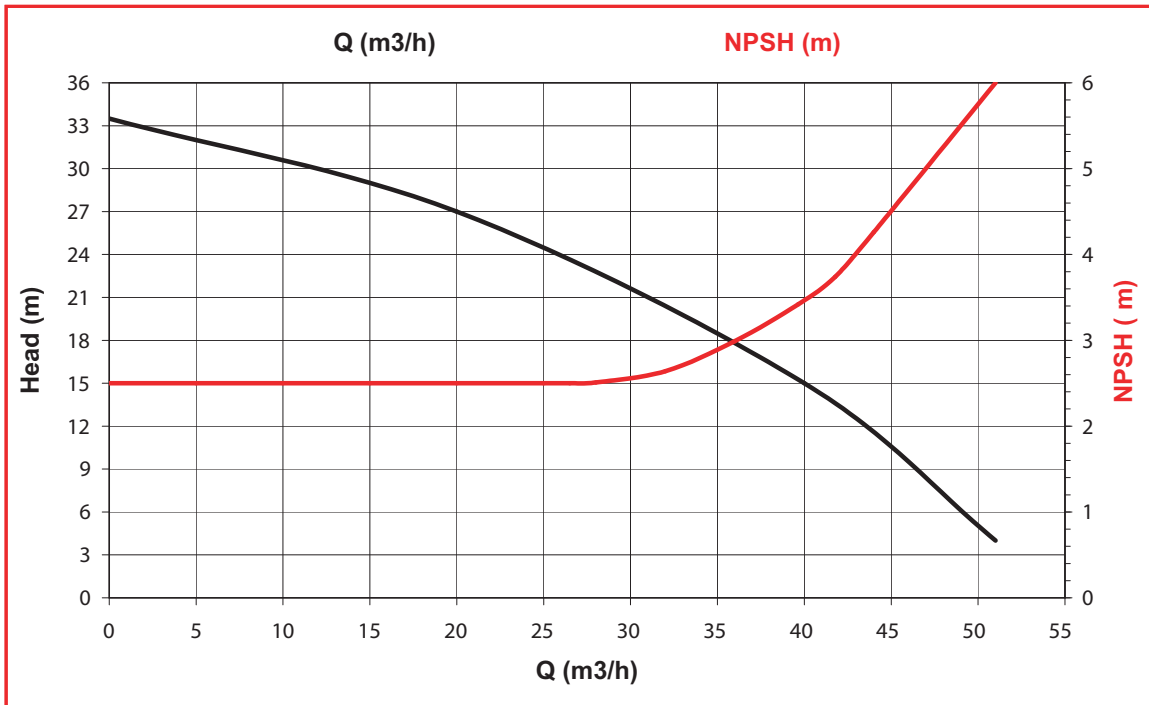
Thanks to the innovative mag drive system, pumps model ADM 50 PP/PVDF reduce the risks of losses and the maintenance costs. The transmission of the motion occurs through magnetic joints without using mechanical seals. This guarantees the maximum safety and efficiency.



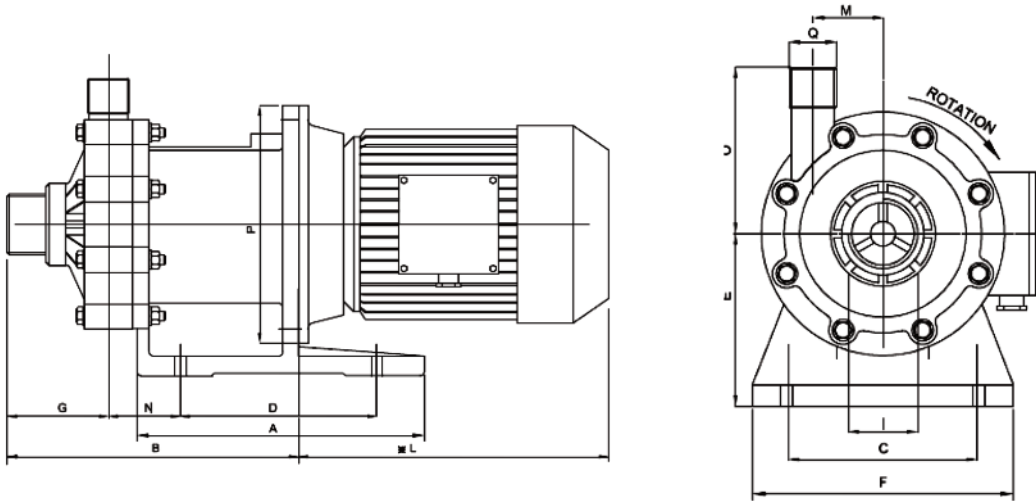
Technical data

Construction materials	PP - PVDF
Max Capacity	51 m ³ /h
Max Head	34 m
Max Temperature	PP 60C , PVDF 90C
Max viscosity	200 cSt
Intake / Delivery connections	3 " (M) x 2 1/2" (M) - Flange ANSI 150, PN10, JIS on request
Pump weight without motor	PP 32 Kg , PVDF 35 Kg
Pump weight with motor 4.0 HP	PP 72 Kg , PVDF 75 Kg
Pump weight with motor 5.5 HP	PP 82 Kg , PVDF 80 Kg
Motor	7.5 HP 380V/3/50Hz 2800 Rpm 10 HP 380V/3/50Hz 2800 Rpm

Performances

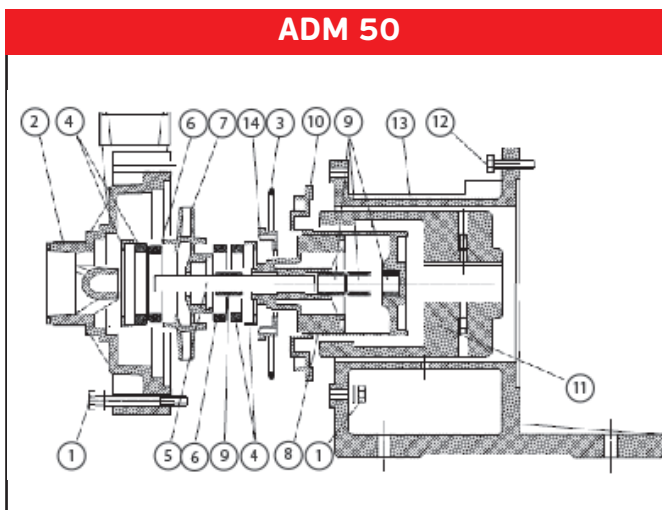


Dimensions



Pump Type	Motor Flange B3B5	Kw	Dimensions -mm-																
			A	B	C	D	E	F	G	H	Hs	Hd	I	L	M	N	O	P	Q
ADM 50	132	5,5	365	300	216	250	192	40	52	274	50	10	3" MALE	360	82,5	98	180	300	2 1/2" MALE
ADM 50	132	7,5	365	300	216	250	192	40	52	274	50	10	3" MALE	400	82,5	98	180	300	2 1/2" MALE

ADM series section & spare part list



POS	PART. DESCR.	MATERIALS
1	SET SCREWS	AISI 304
2	PUMP CASING	PP - PVDF
3	O-RING	EPDM/VITON
4	CASING THRUST BUSH	Al ₂ O ₃ EPDM/VITON
5	SHAFT	Al ₂ O ₃
6	IMPELLER THRUST BEARING	PTFEC
7	IMPELLER	C40 - NeFeb
8	INTERNAL MAGNET	PP - PVDF - NeFeb
9	BEARING	PTFEC
10	REAR CASING	PP - PVDF
11	EXT. MAGNET	C40 NeFeb
12	SCREWS	AISI 304
13	BRACKET	ALUMINIUM
14	REAR SUPPORT	PP-PVDF



ALPHADYNAMIC PUMPS Co

England Sales office:

Rockleigh House, 37 Burton Road
Ashby de la Zouch, Leicestershire
LE65 2LF - United Kingdom (UK)
Registered in ENGLAND & WALES
Registration number 09706219 - VAT No.GB220393343
Tel +44 1213 680 324, +44 1213 680472
email:sales@alphadynamicpumps.co.uk
www.alphadynamicpumps.co.uk

Hellas Production Facilities Unit 1

3 Eleftherias Str Industrial Park of Kifisia
14564 - Kifisia - Hellas
VAT No. EL 999695309
Tel +30 210 4200 338, +30 210 4200 422
Fax +30 211 268 68 37
email: info@alphadynamic.eu
www.alphadynamic.eu

Hellas Production Facilities Unit 2

30 Seneka str Industrial Park of Kifisia
14564 - Kifisia - Greece
Tel +30 215 215 9152
email: sales@rubypump.com