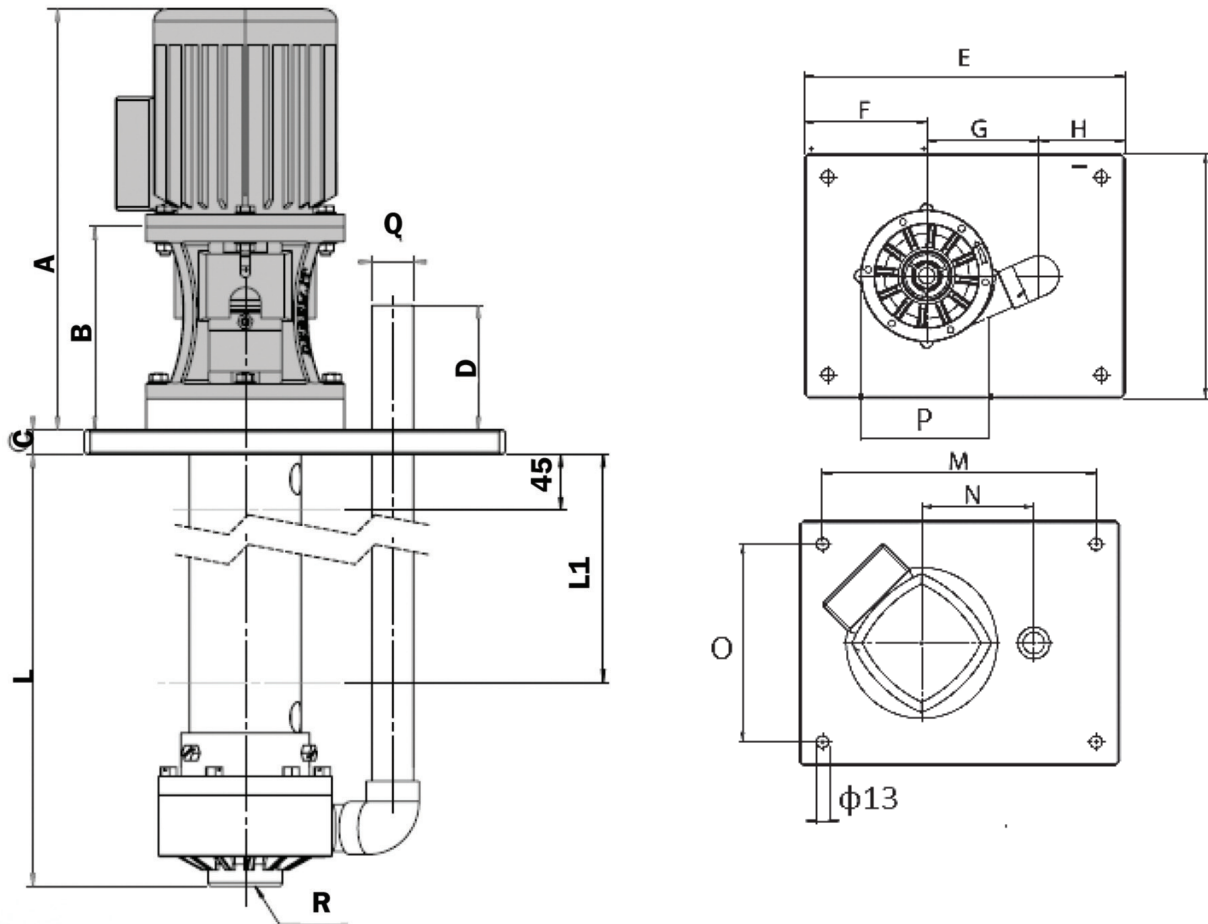


## Dimensions

Column length : 500 - 1250 mm



Motor Weight	61 kg
Column Weight L=500 mm	PP 28 Kg - PVDF 30 Kg
Column Weight L=800 mm	PP 31 Kg - PVDF 33 Kg
Column Weight L=1000 mm	PP 33 Kg - PVDF 35 Kg
Column Weight L=1250 mm	PP 36 Kg - PVDF 38 Kg

Pump Type	Motor Flange B5	HP	Rpm	Dimensions -mm-															
				A	B	L	C	D	E	F	G	H	I	M	N	O	P	Q	R
ADV 160	132	10	2800	702	303	500-1250	25	130	480	170	215	95	380	430	215	330	$\phi 275$	2"	2 1/2"