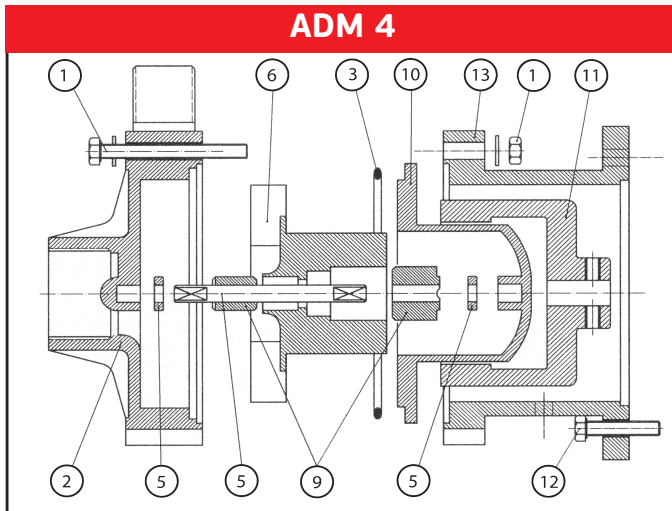
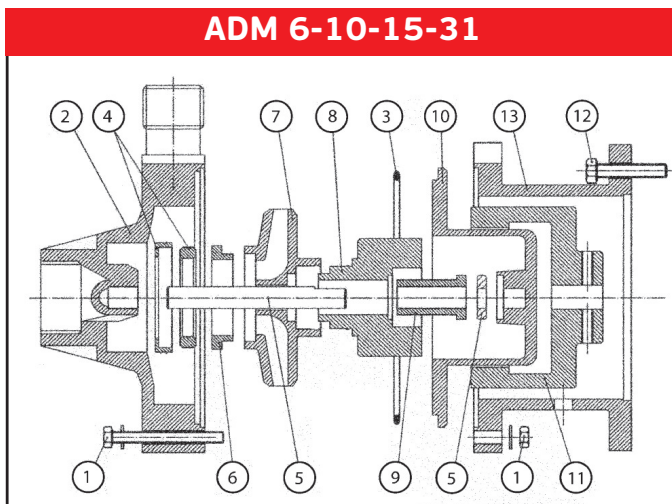


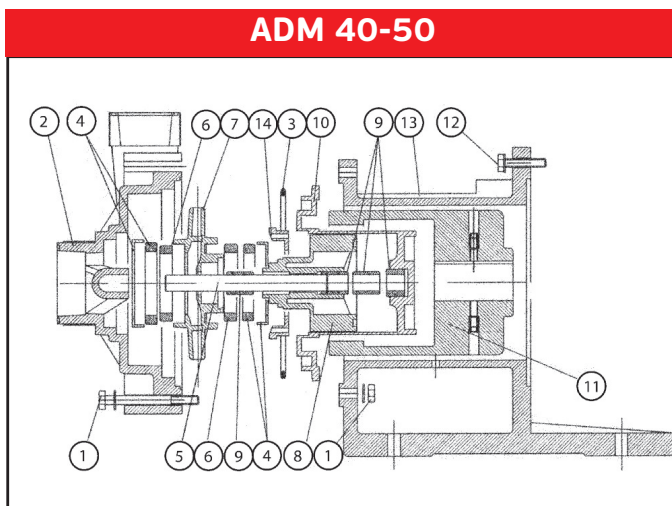
ADM series section & spare part list



POS	PART. DESCR.	MATERIALS
1	SET SCREWS	AISI 304
2	PUMP CASING	PP - PVDF
3	O-RING	EPDM / VITON
5	SHAFT + RING	Al ₂ O ₃
6	INTERNAL ROTATING KIT	PP/PVDF
9	BEARING	PTFEC
10	REAR CASING	PP - PVDF
11	EXTERNAL MAGNET	C40 NeFeb
12	SCREWS	AISI 304
13	BRACKET	PP



POS	PART. DESCR.	MATERIALS
1	SET SCREWS	AISI 304
2	PUMP CASING	PP - PVDF
3	O-RING	EPDM/VITON
4	CASING THRUST BUSH	Al ₂ O ₃ EPDM/VITON
5	SHAFT + RING	Al ₂ O ₃
6	IMPELLER	PTFEC
7	THRUST BEARING	
8	IMPELLER	C40 - NeFeb
9	INTERNAL MAGNET	PP - PVDF - NeFeb
10	REAR CASING	PP - PVDF
11	EXT. MAGNET	FE NeFeb
12	SCREWS	AISI 304
13	BRACKET	PP



POS	PART. DESCR.	MATERIALS
1	SET SCREWS	AISI 304
2	PUMP CASING	PP - PVDF
3	O-RING	EPDM/VITON
4	CASING THRUST BUSH	Al ₂ O ₃ EPDM/VITON
5	SHAFT	Al ₂ O ₃
6	IMPELLER	PTFEC
7	THRUST BEARING	
8	IMPELLER	PP - PVDF
9	INTERNAL MAGNET	PP - PVDF - NeFeb
10	REAR CASING	PP - PVDF
11	EXT. MAGNET	C40 - NeFeb
12	SCREWS	AISI 304
13	BRACKET	ALUMINIUM
14	REAR SUPPORT	PP - PVDF