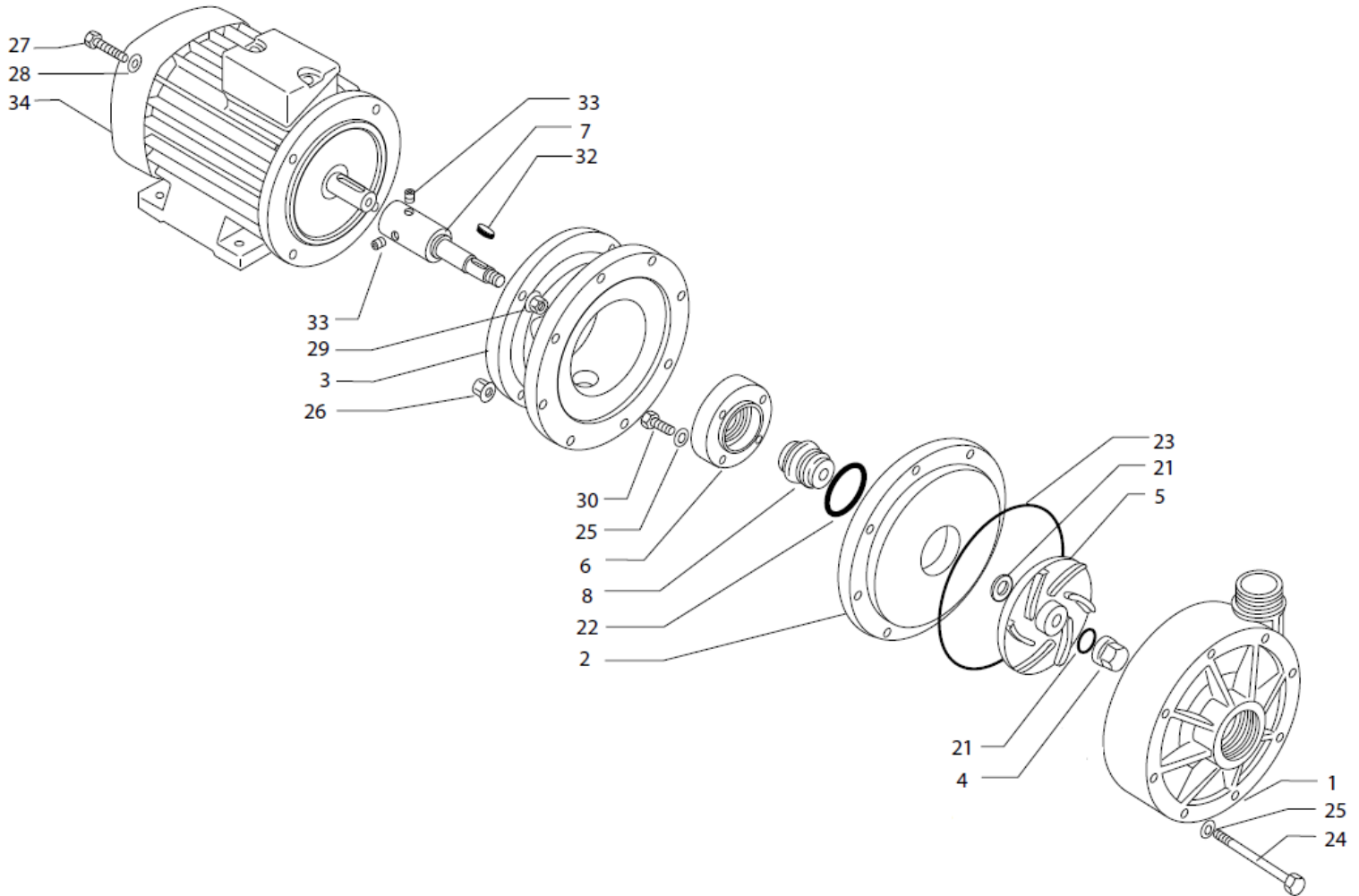


ADH 150 / 155 / 160 / 180 below seal pump spare part list



POS	DESCRIPTION	QTY req
1	Pump body	1
2	Rear Flange	1
3	Lantern	1
4	Impeller locking nut	1
5	Impeller	1
7	Shaft	1
8	Bellow seal	1
21	Impeller gasket	2
22	Oring	1
23	Pump casing gasket	1

POS	DESCRIPTION	QTY req
24	Pump casing screw	8
25	Flat washer	12
26	Flanged nut	8
27	Screw	4
28	Washer	4
29	Nut	4
30	Screw	4
32	Turning lip-key	1
33	Flat-grub nut	3
34	Motor	1