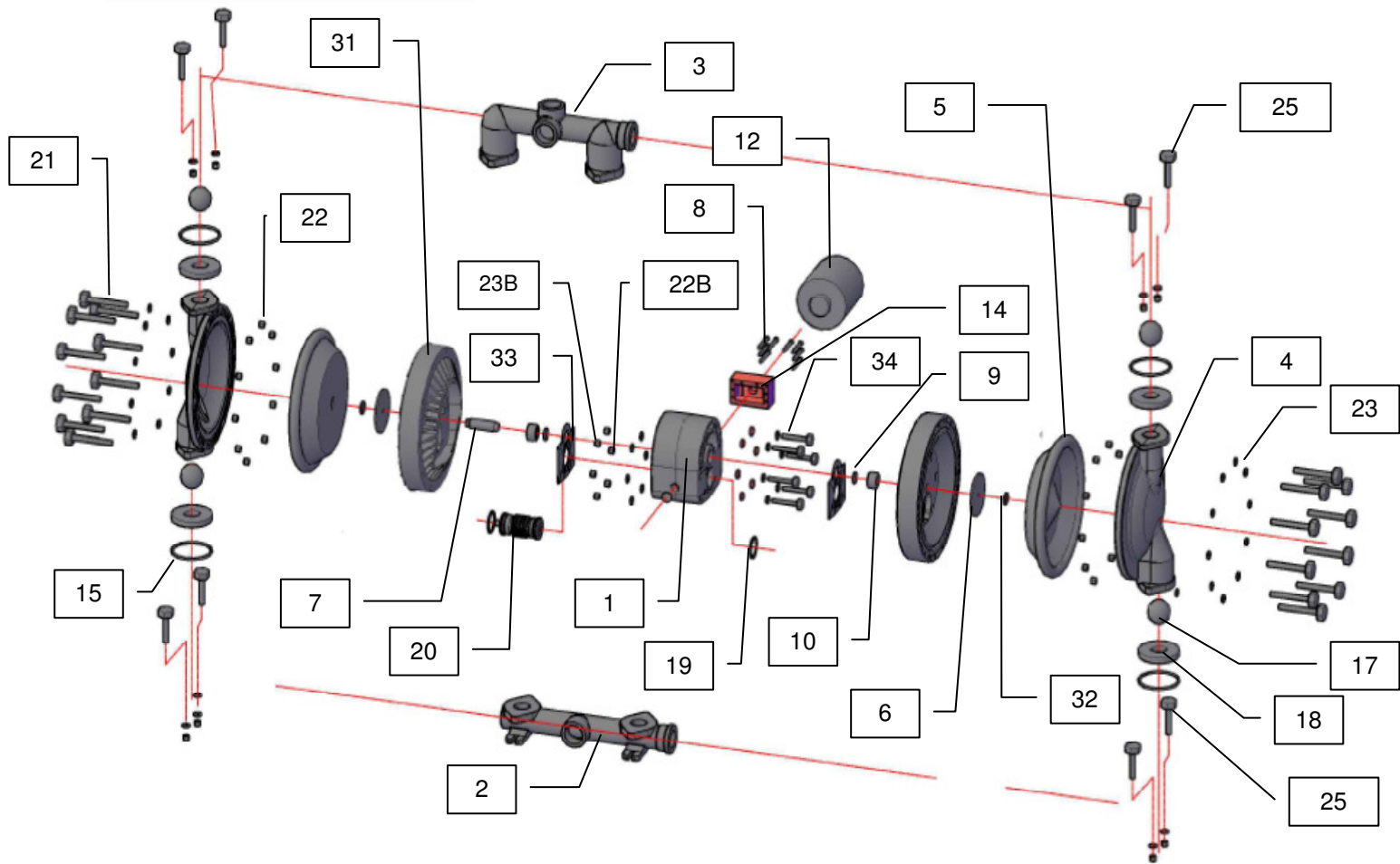


# 150 Aluminium spare part list pump



POS	DESCRIPTION	QTY	POS	DECRPTION	QTY
01	CENTRAL BLOCK	1	21	HOUSING PUMP SCREW	20
02	SUCTION MANIFOLD	2	22	BOLT	28
03	DISCHARGE MANIFOLD	2	22B	BOLT	6
04	PUMP HOUSING	2	23	WASHER	46
05	DIAPHRAGMS	2	23B	WASHER	6
06	PISTON INNER	2	25	SUCTION MANIFOLD SCREW	4
07	SHAFT	1	25	DISCHARGE MANIFOLD SCREW	4
09	O-RING BEARING	2	31	AIR CHAMBER	2
10	SHAFT BEARING	2	32	SPACER (PTFE DIAPHRAGMS)	2
12	SILENCER	1	33	FLANGE	2
13	AIR EXHAUST SCREW	8	34	CENTRAL BLOCK SCREW	6
14	AIR EXHAUST COVER	1			
15	VALVE SEAT ORING	4			
17	VALVE BALL	4			
18	BALL SEAT	4			
19	RETAINING RING AIR VALVE	2			
20	AIR CONTROL VALVE	1			