



IMPA CODES: 591653, 591661, 591662

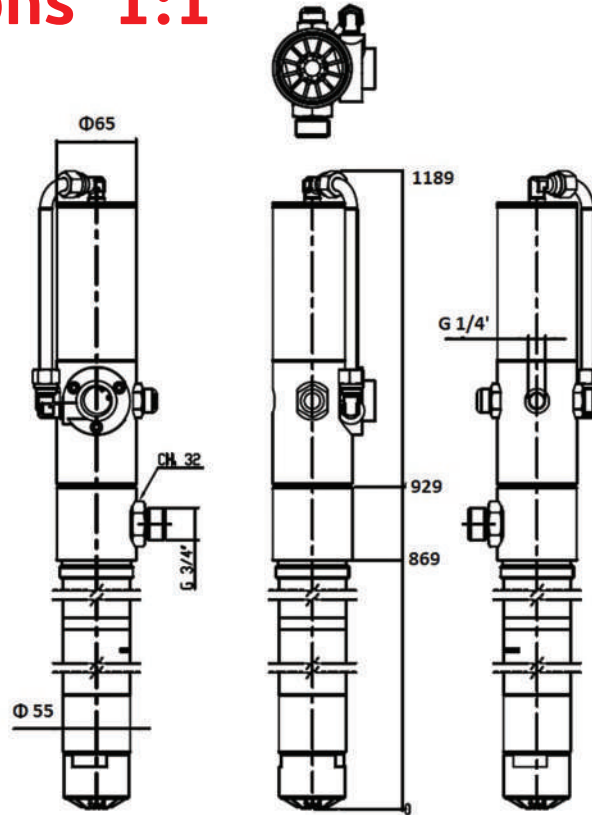
Ruby piston 1:1 and 3:1 pumps are ideal for transferring large volume of fluids from pails, drums. The pumps are designed to deliver motor oils, cutting oils, hydraulic oils, coolants, and a wide range of petroleum based fluids.

All pumps are quiet and use double-action positive displacement for uniform flow.

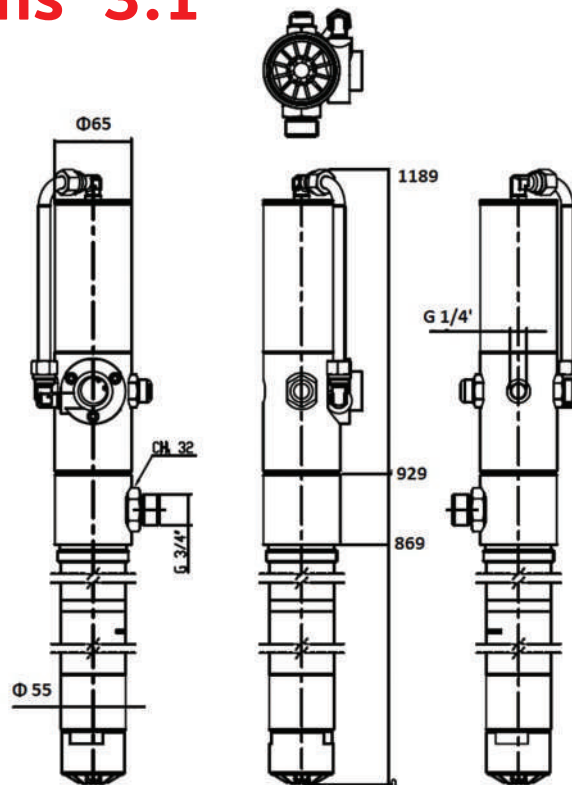
Technical data

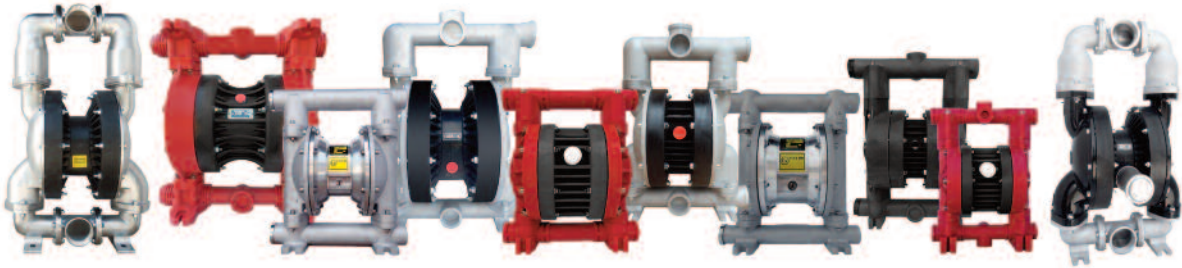
Ratio	1:1	3:1
Feeding-Compressed Air	2 -8 Bar	2 -8 Bar
Output pressure	10 bar	21 Bar
Flow rate	48 lt/min	23 L/min
Air connection	F 1/4"BSP	F 1/4"BSP
Ports	M 3/4"BSP	M 1/2"BSP
Pumping assy length	950 mm	950 mm
Pumping diameter	55 mm	40 mm
For drum capacity	208 L	208 L
Weight	7 kg	6 Kg

Dimensions 1:1



Dimensions 3:1





ALPHADYNAMIC PUMPS Co

England Sales office:

Rockleigh House, 37 Burton Road
Ashby de la Zouch, Leicestershire
LE65 2LF - United Kingdom (UK)
Registered in ENGLAND & WALES
Registration number 09706219 - VAT No.GB220393343
Tel +44 1213 680 324, +44 1213 680472
email:sales@alphadynamicpumps.co.uk
www.alphadynamicpumps.co.uk

Hellas Production Facilities Unit 1

3 Eleftherias Str Industrial Park of Kifisia
14564 - Kifisia - Hellas
VAT No. EL 999695309
Tel +30 210 4200 338, +30 210 4200 422
Fax +30 211 268 68 37
email: info@alphadynamic.eu
www.alphadynamic.eu

Hellas Production Facilities Unit 2

30 Seneka str Industrial Park of Kifisia
14564 - Kifisia - Greece
Tel +30 215 215 9152
email: sales@rubypump.com