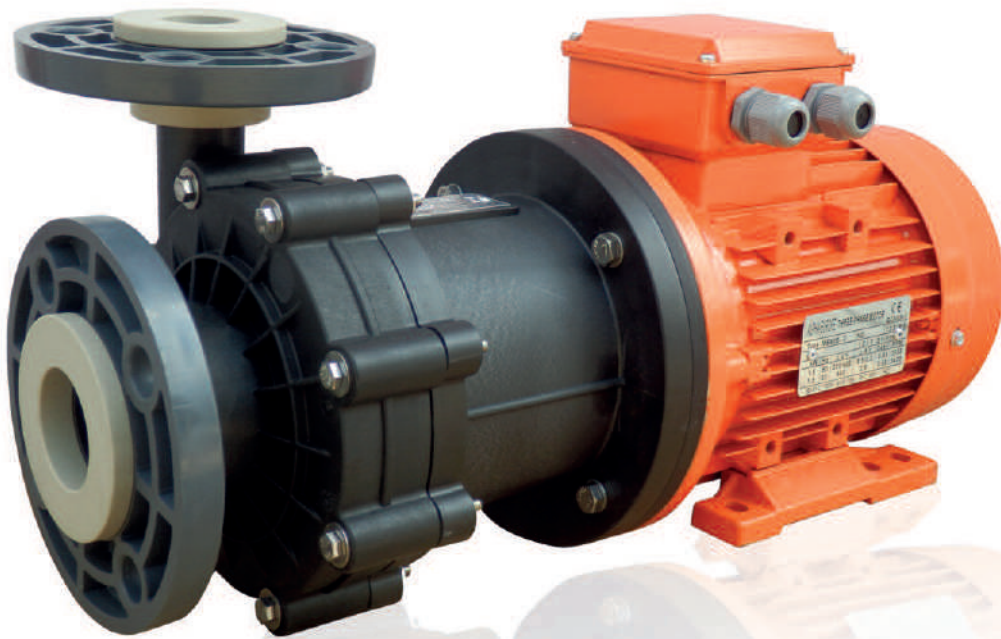




EMC CE



We Make The Difference



ADM Magnetic Drive Centrifugal Pumps

www.alphadynamicpumps.co.uk

ADM Magnetic Drive Centrifugal Pumps



Features

Mag drive centrifugal pumps series ADM PP / PVDF are made of thermoplastic materials (Polypropylene and PVDF) and are suitable for high corrosive liquids. Thanks to the innovative mag drive system, pumps models ADM PP/PVDF reduce the risks of losses and the maintenance costs. The transmission of the motion occurs through magnetic joints without using mechanical seals. This guarantees the maximum safety and efficiency. The pumped liquid has to be clean and without solids in suspension.

Design of magnetic drive centrifugal pumps

Magnetic drive pumps have a particular sealless design that is suitable to pump corrosive and dangerous liquids thanks to the high chemical resistance and absence of leakage and emissions. The structure is really simple so that the pump requires low maintenance cost with consequent economy in terms of repairing and spare part costs during the pump life. The external magnet placed on the drive shaft transmits the motion to the internal magnet connected to the impeller, which rotates and moves the fluid through the pump.

Technical Data

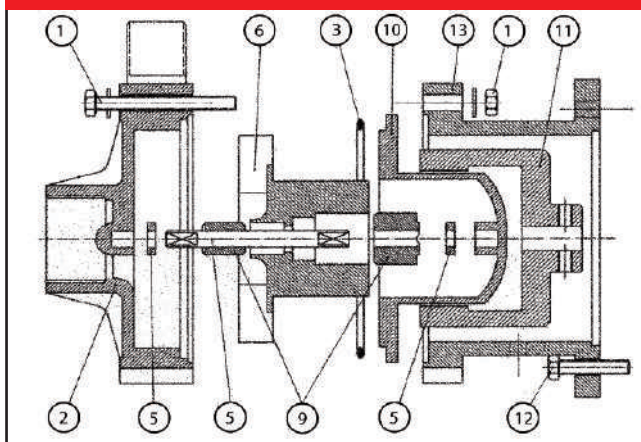
- Materials in contact with the liquid: casing and impeller PP/PVDF
- High torque magnetic coupling NeFeBo standard;
- Flow up to 50 m³/h; pressure up to 32 mlc;
- Max temperature: PP 60°C – PVDF 90°C;
- Max viscosity: 200 cSt;
- Pressure rating NP 5 at 20°C.

Industrial use:

Chemical, petrochemical, pharmaceutical, paper mills, textile industry, food processing, sugar plants, dairies, electronics, water treatment plants, any hazardous chemical application.

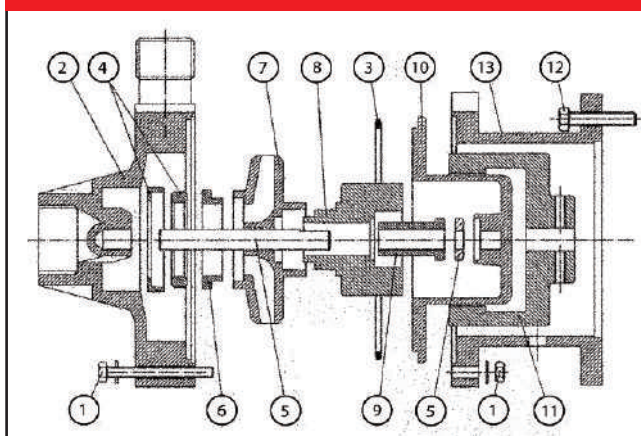
ADM series section & spare part list

ADM 4



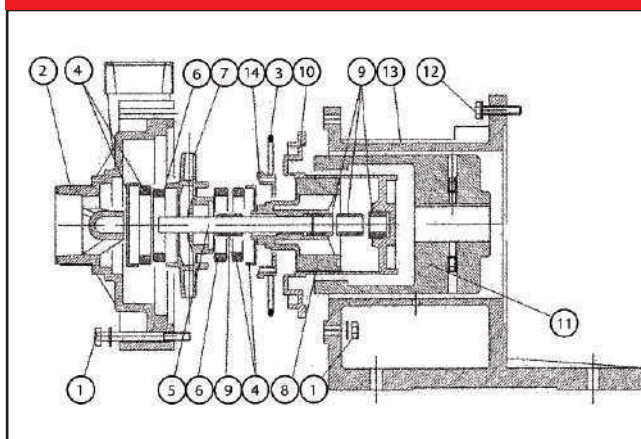
POS	PART. DESCR.	MATERIALS
1	SET SCREWS	AISI 304
2	PUMP CASING	PP - PVDF
3	O-RING	EPDM / VITON
5	SHAFT + RING	Al ₂ O ₃
6	INTERNAL ROTATING KIT	PP/PVDF
9	BEARING	PTFEC
10	REAR CASING	PP - PVDF
11	EXTERNAL MAGNET	C40 NeFeb
12	SCREWS	AISI 304
13	BRACKET	PP

ADM 6-10-15-31



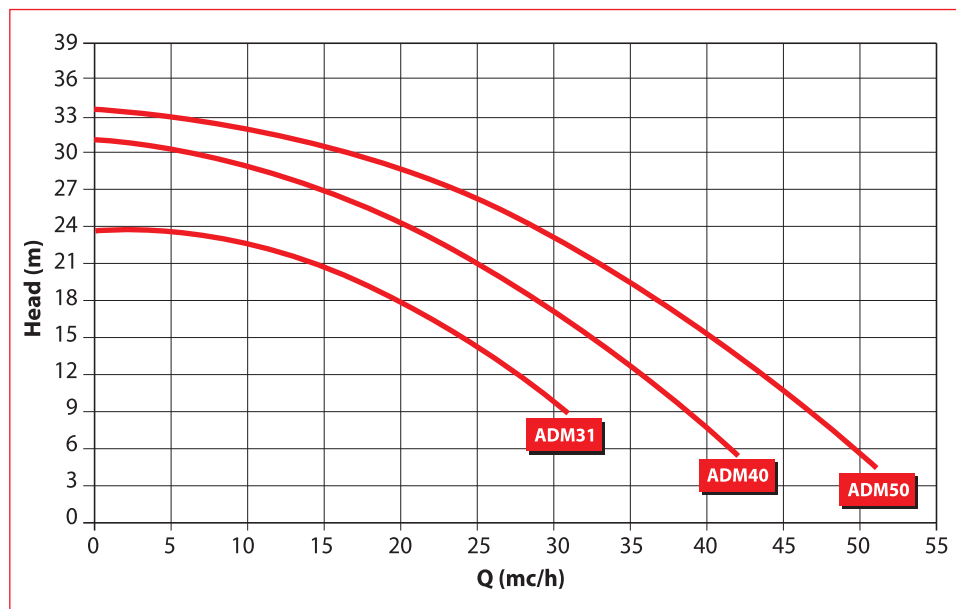
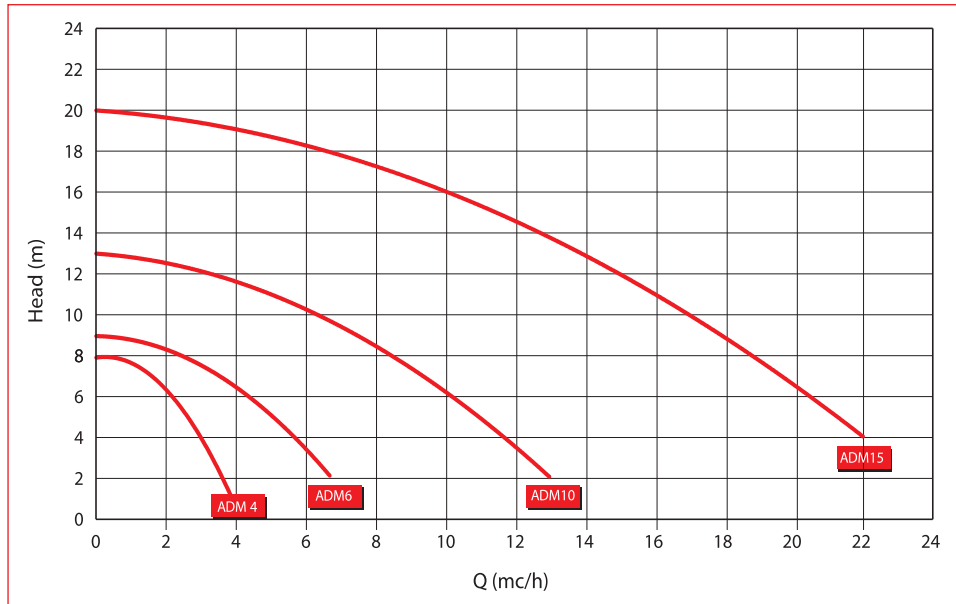
POS	PART. DESCR.	MATERIALS
1	SET SCREWS	AISI 304
2	PUMP CASING	PP - PVDF
3	O-RING	EPDM/VITON
4	CASING THRUST BUSH	Al ₂ O ₃ EPDM/VITON
5	SHAFT + RING	Al ₂ O ₃
6	IMPELLER	PTFEC
7	THRUST BEARING	PTFEC
8	IMPELLER	C40 - NeFeb
9	INTERNAL MAGNET	PP - PVDF - NeFeb
10	BEARING	PTFEC
11	REAR CASING	PP - PVDF
12	EXT. MAGNET	FE NeFeb
13	SCREWS	AISI 304
13	BRACKET	PP

ADM 40-50



POS	PART. DESCR.	MATERIALS
1	SET SCREWS	AISI 304
2	PUMP CASING	PP - PVDF
3	O-RING	EPDM/VITON
4	CASING THRUST BUSH	Al ₂ O ₃ EPDM/VITON
5	SHAFT	Al ₂ O ₃
6	IMPELLER	PTFEC
7	THRUST BEARING	PTFEC
8	IMPELLER	PP - PVDF
9	INTERNAL MAGNET	PP - PVDF - NeFeb
10	BEARING	PTFEC
11	REAR CASING	PP - PVDF
12	EXT. MAGNET	C40 - NeFeb
13	SCREWS	AISI 304
14	BRACKET	ALUMINIUM
14	REAR SUPPORT	PP - PVDF

Performance curves 2900 Rpm



We Make The Difference

England Sales office:

2 Lower Packington Road
 Ashby De La Zouch - Leicestershire
 LE65 1 GD - United Kingdom (UK)
 Vat No. GB 220393343
 Tel : +44 1213 680 324 / +44 1213 680 472
 email: sales@alphadynamicpumps.co.uk
 www.alphadynamicpumps.co.uk
 Registered in England and Wales. Registration No.09706219

Hellas Production Facilities:

3 Eleftherias Str Industrial Park of Kifisia
 14564 - Kifisia - Hellas
 VAT No. EL 999695309
 Tel: +30 215 215 9580, +30 215 215 9520
 Fax +30 211 268 68 37
 email: info@alphadynamic.eu
 www.alphadynamic.eu