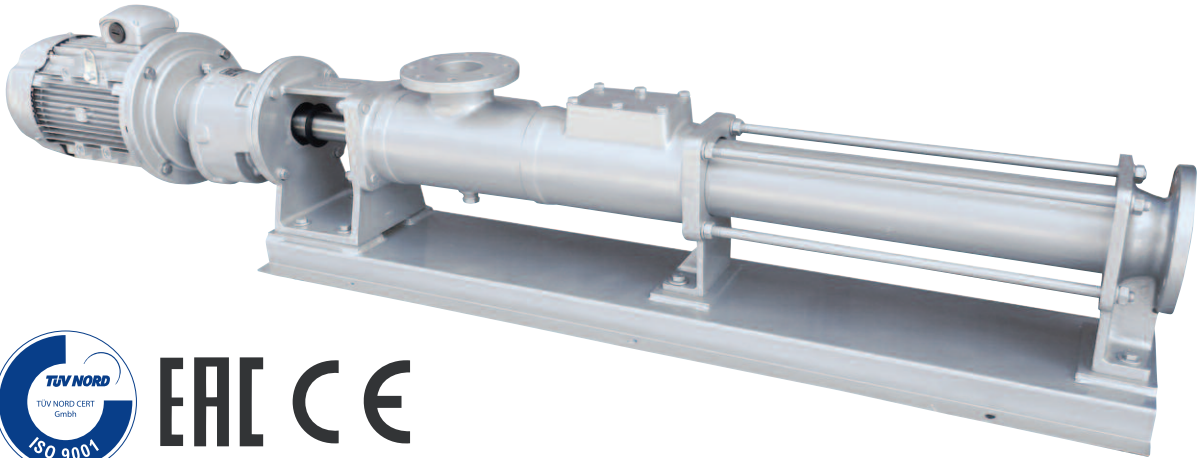


The **ATLAS CBM series** is the best solution for the industrial sector in pumping a vast range of fluids. They are synonymous with strength, reliability, performance and application flexibility.

Suitable for pumping viscous and non-viscous products, with or without solids of any nature, they are an ideal solution for those seeking a standard product with advanced technology with unbeatable cost benefits in the current single screw pumps market.



EAC CE

## Features

- ✓ Length Geometry
- ✓ Lower Sliding Velocity
- ✓ Higher Performance compared to classic geometry
- ✓ Minor service requirements
- ✓ Stability in pressure & flow due to longer sealing lines
- ✓ Improved flow characteristics
- ✓ Reduced Vibration, Turbulence, shear rates & pulsation
- ✓ Smooth and performance
- ✓ Improved volumetric, Mechanical & overall efficiency
- ✓ Block construction minimizes overall dimensions, providing a shorter pump length.  
Eliminates the need for coupling and cover protection.

## Technical data

Maximum Capacity	75 m <sup>3</sup> /h
Maximum Pressure	12 Bar
Maximum Temperature	100 °C
Maximum Viscosity	500.000 cPs

### Construction Materials

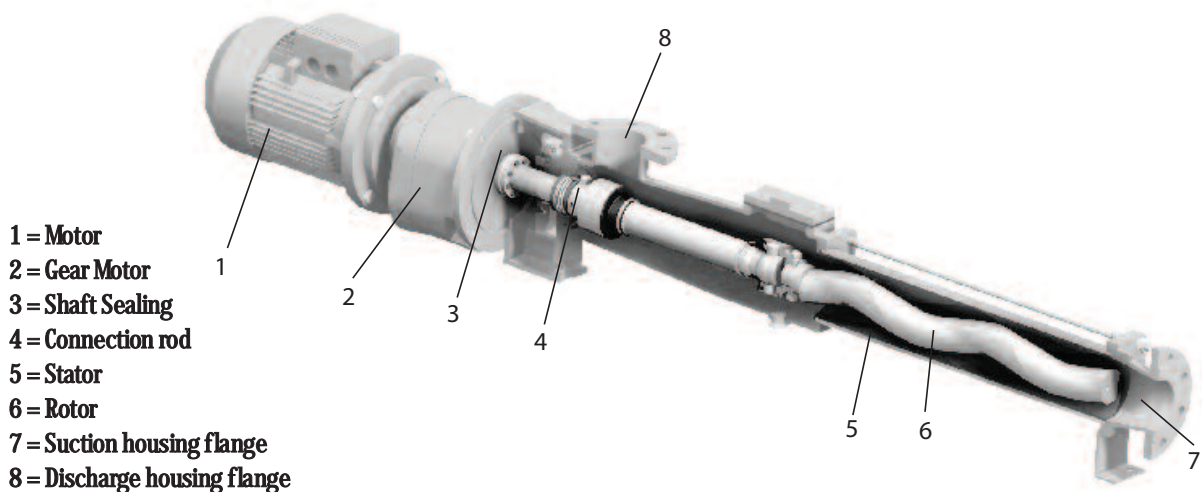
- ▶ Pump Body: Cast iron GG25
- ▶ Available Rotors: Tool Steel AISI D6 HCP, Stainless steel 316
- ▶ Available Stators: NBR, EPDM, VITO, HYPALON
- ▶ Seal: Mechanical seal SIC/SIC/
- ▶ Ports: Flange PN16

They are used for the transfer of:

- ▶ Raw, primary, secondary sludges
- ▶ Thickened sludges
- ▶ Sludges before the filter press

Other industrial applications are:

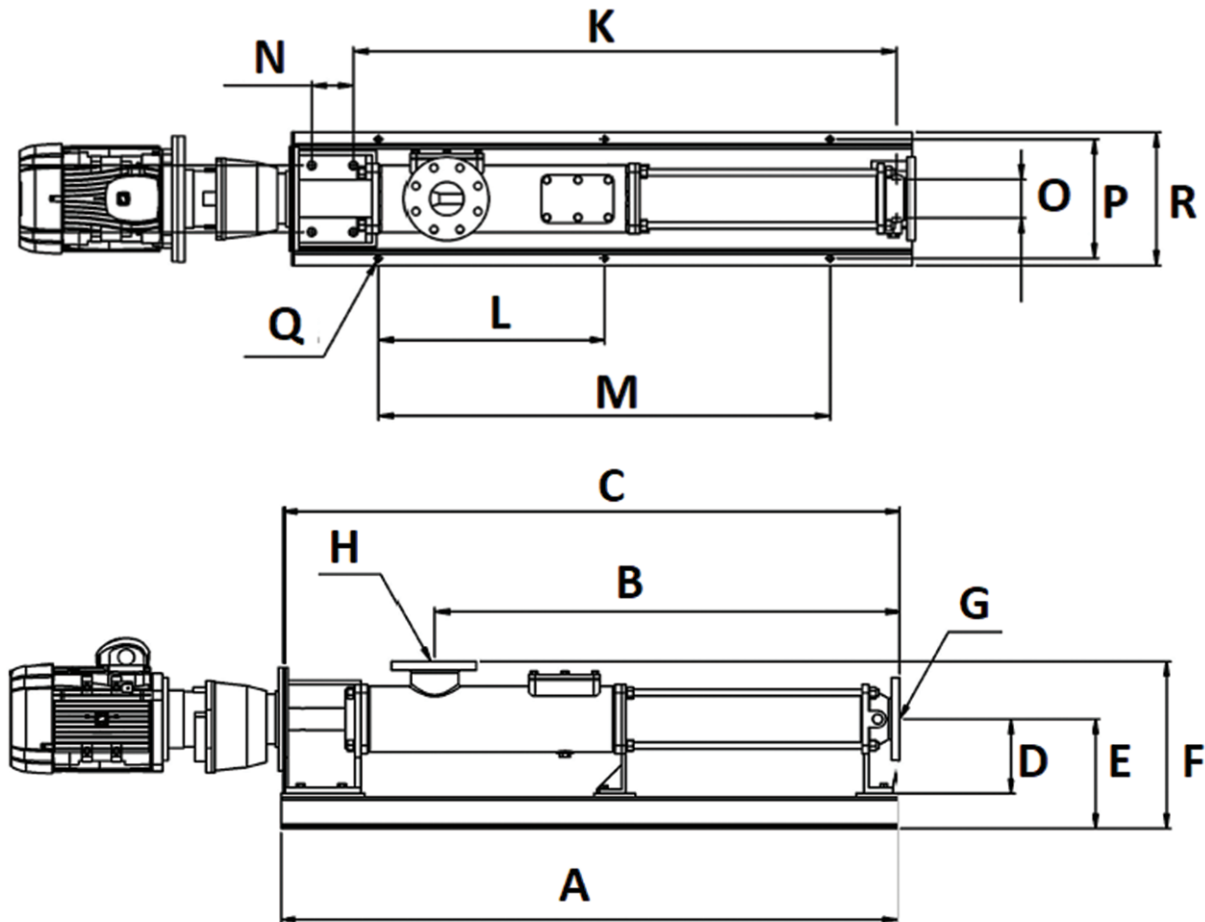
- ▶ Paper industry like starch, glue
- ▶ Building industry like colourings, cement, mortar, bentonite
- ▶ Ship building industry like waste oil, oily bilge water
- ▶ Ceramic industry as clayey sludges, lime, glaze
- ▶ Mining industry
- ▶ Petrochemistry
- ▶ Agriculture
- ▶ Refinery



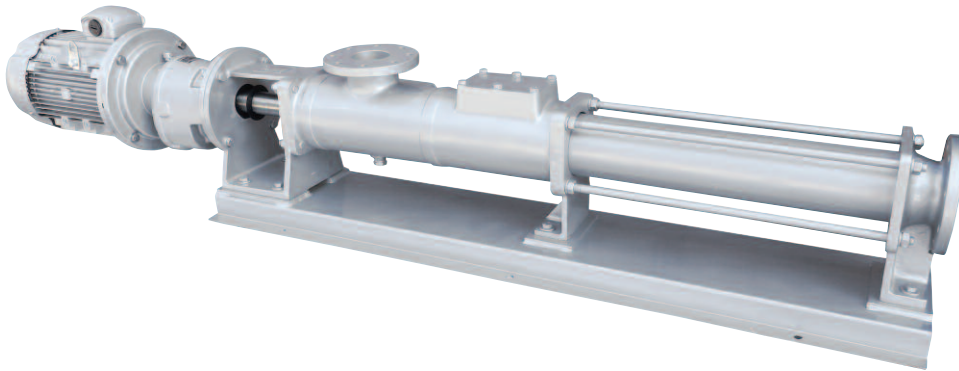
### Pump Models

Type	Max capacity	Max Pressure	Ports
ATLAS CBM 15	2 m3/h	4.5 Bar	FLANGE DN 25
ATLAS CBM 21	5 m3/h	6 Bar	FLANGE DN 32
ATLAS CBM 31	13 m3/h	6 Bar	FLANGE DN 50
ATLAS CBM 38	25 m3/h	6 Bar	FLANGE DN 65
ATLAS CBM 45	30 m3/h	6 Bar	FLANGE DN 65
ATLAS CBM 53	40 m3/h	6 Bar	FLANGE DN 80
ATLAS CBM 63	50 m3/h	6 Bar	FLANGE DN 100
ATLAS CBM 76	75 m3/h	6 Bar	FLANGE DN 125
ATLAS CBM 22	1 m3/h	12 Bar	FLANGE DN 40
ATLAS CBM 32	3 m3/h	12 Bar	FLANGE DN 50
ATLAS CBM 42	6 m3/h	12 Bar	FLANGE DN 65
ATLAS CBM 52	11 m3/h	12 Bar	FLANGE DN 80
ATLAS CBM 62	20 m3/h	12 Bar	FLANGE DN 100

### Pump Dimensions



Pump Type	BASIC DIMENSIONS mm															
	A	B	C	D	E	F	G	H	K	L	M	N	O	P	Q	R
ATLAS CBM15	631	410	642	120	178	250	DN25	DN25	546	---	490	---	50	220	Φ15	250
ATLAS CBM 21	690	466	698	120	178	253	DN32	DN32	597	---	490	---	50	220	Φ15	250
ATLAS CBM 31	900	660	919	155	215	316	DN50	DN50	790	---	600	---	70	245	Φ15	280
ATLAS CBM 38	1158	881	1161	160	220	342	DN65	DN65	1045	---	758	---	78	280	Φ15	310
ATLAS CBM 45	1202	942	1222	160	220	342	DN65	DN65	1105	---	758	---	78	280	Φ15	310
ATLAS CBM 53	1490	1127	1492	180	265	405	DN80	DN80	1300	540	1080	100	92	285	Φ15	320
ATLAS CBM 63	1712	1355	1735	200	287	432	DN100	DN100	1538	656	1312	100	110	310	Φ19	350
ATLAS CBM 76	2070	1617	2101	225	311	508	DN125	DN125	1886	835	1670	100	130	320	Φ19	350
ATLAS CBM 22	690	466	698	120	178	253	DN40	DN40	597	---	490	---	50	220	Φ15	250
ATLAS CBM 32	900	660	919	155	215	316	DN50	DN50	790	---	600	---	70	245	Φ15	280
ATLAS CBM 42	1202	942	1222	160	220	342	DN65	DN65	1105	---	758	---	78	280	Φ15	310
ATLAS CBM 52	1490	1127	1492	180	265	405	DN80	DN80	1300	540	1080	100	92	285	Φ15	320
ATLAS CBM 62	1712	1355	1735	200	287	432	DN100	DN100	1538	656	1312	100	110	310	Φ19	350



*We Make The Difference*

**England Sales office:**

Rockleigh House, 37 Burton Road  
Ashby de la Zouch, Leicestershire  
LE65 2LF - United Kingdom (UK)  
Registered in ENGLAND & WALES  
Registration number 09706219 - VAT No.GB220393343  
Tel +44 1213 680 324, +44 1213 680472  
email:sales@alphadynamicpumps.co.uk  
www.alphadynamicpumps.co.uk

**Hellas Production Facilities Unit 1**

3 Eleftherias Str Industrial Park of Kifisia  
14564 - Kifisia - Hellas  
VAT No. EL 999695309  
Tel: +30 215 215 9580, +30 215 215 9520  
Fax +30 211 268 68 37  
email: info@alphadynamic.eu  
www.alphadynamic.eu

**Hellas Production Facilities Unit 2**

30 Seneka str Industrial Park of Kifisia  
14564 - Kifisia - Greece  
Tel +30 215 215 9152  
email: sales@rubypump.com