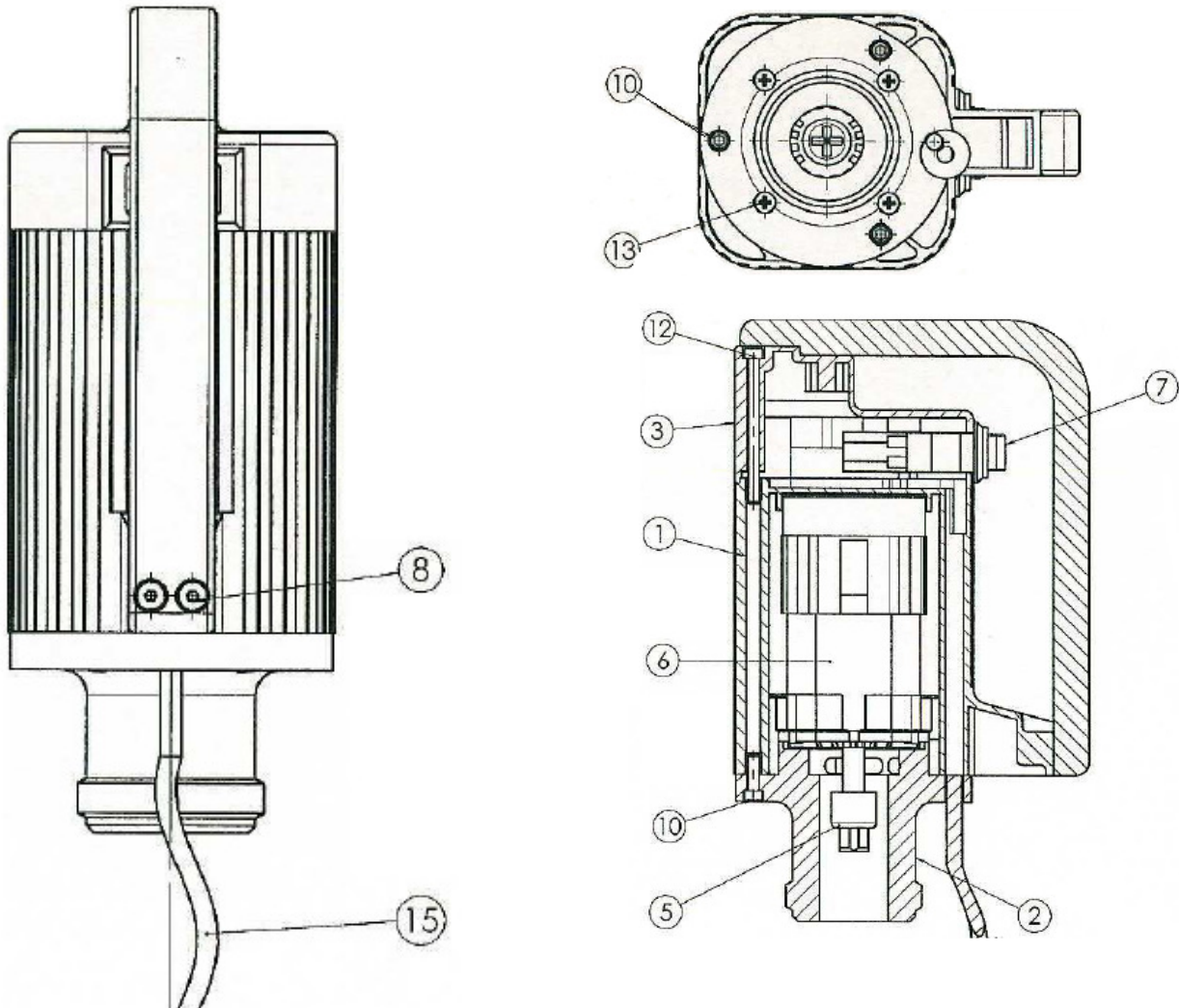


# TR - 800 W Series Motor Spare Parts



POS	DESCRIPTION	Q
1	MOTOR COVER	1
2	STAINER	1
3	CAP	1
4	HANDLE	1
5	JOINT	1
6	MOTOR (0,8)	1
7	SWITCH	1

POS	DESCRIPTION	Q
8	SCREW	4
10	SCREW	3
12	SCREW	1
13	SCREW	4
14	SCREW	2
15	ELECTRIC CABLE (MT)	2,5