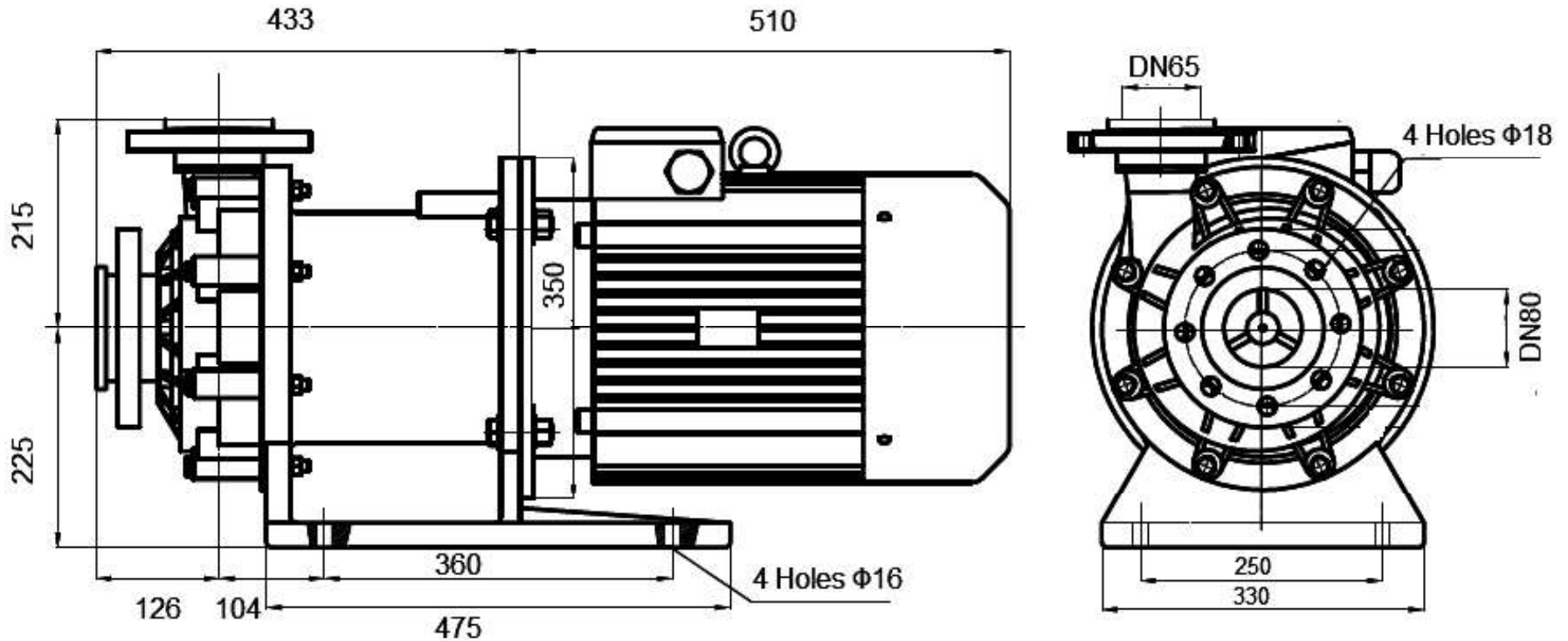


Dimensions



| Pump Type | Motor Flange B35 | Kw | Rpm | Dimensions -mm- | | | | | | | | | | | | |
|-----------|------------------|------|------|-----------------|-----|-----|-----|-----|-----|-----|-----|-----|-----|-----|--------|-------|
| | | | | A | B | C | D | E | F | G | L | N | O | P | Q | R |
| ADM 100.1 | 160 | 15 | 2800 | 475 | 435 | 250 | 360 | 225 | 330 | 124 | 510 | 104 | 217 | 350 | DN 100 | DN 80 |
| ADM 100.2 | 160 | 18.5 | 2800 | 475 | 433 | 250 | 360 | 225 | 330 | 124 | 554 | 104 | 217 | 350 | DN 100 | DN 80 |
| ADM 100.3 | 180 | 22 | 2800 | 475 | 433 | 250 | 360 | 225 | 330 | 124 | 595 | 104 | 217 | 350 | DN 100 | DN 80 |