

Ruby 008

Construction materials: **PP, PP+CF, PVDF+CF**

New pump line with a brand new designing that offers reinforced pumping potentials. The updated designing provides even bigger performance provided with economy.



EAC CE




II 2G Ex h IIB T4 Gb
II 2D Ex h IIIB T135°C Db
Baseefa15ATEX13DR/RN3



Benefits

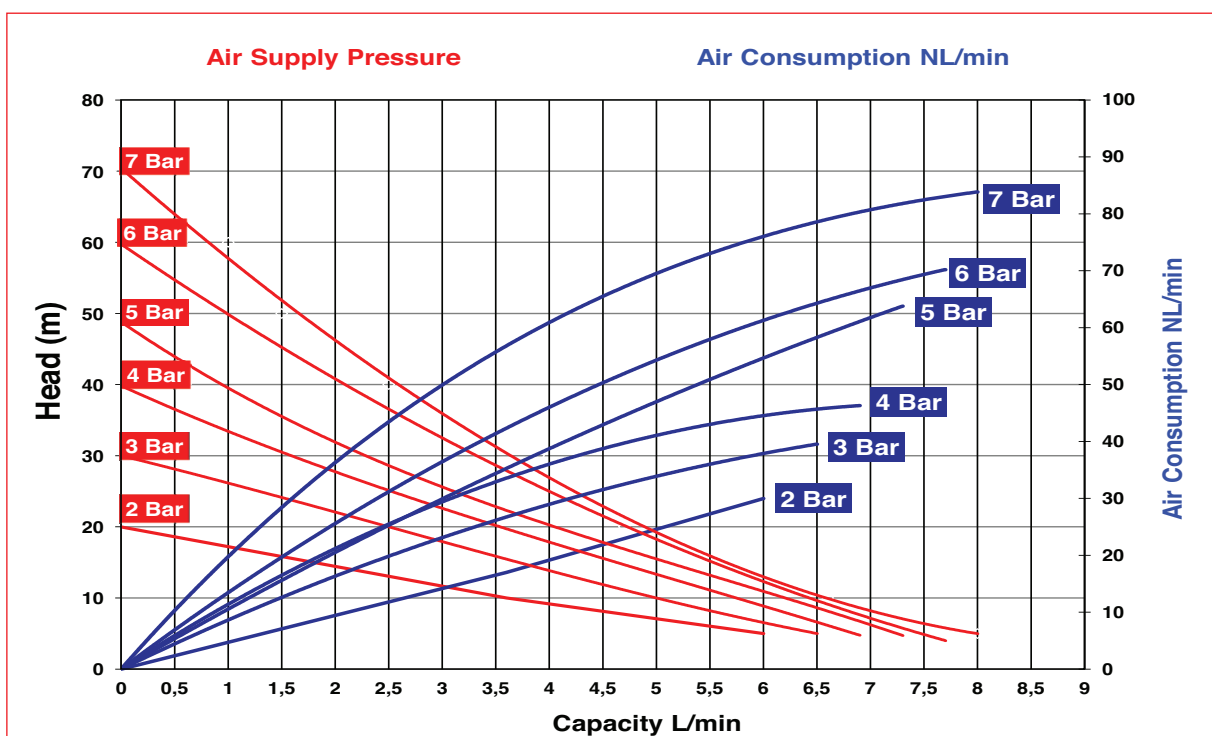
- Optimal performance
- Economical air consumption, ecological designing
- High efficiency for pressure/capacity
- Oil free operation
- No freezing
- New air valve designing, fully controlled air passing
- Easy disassembling and re-assembling
- Automatic suction
- Excellent performance and value for money

Technical data

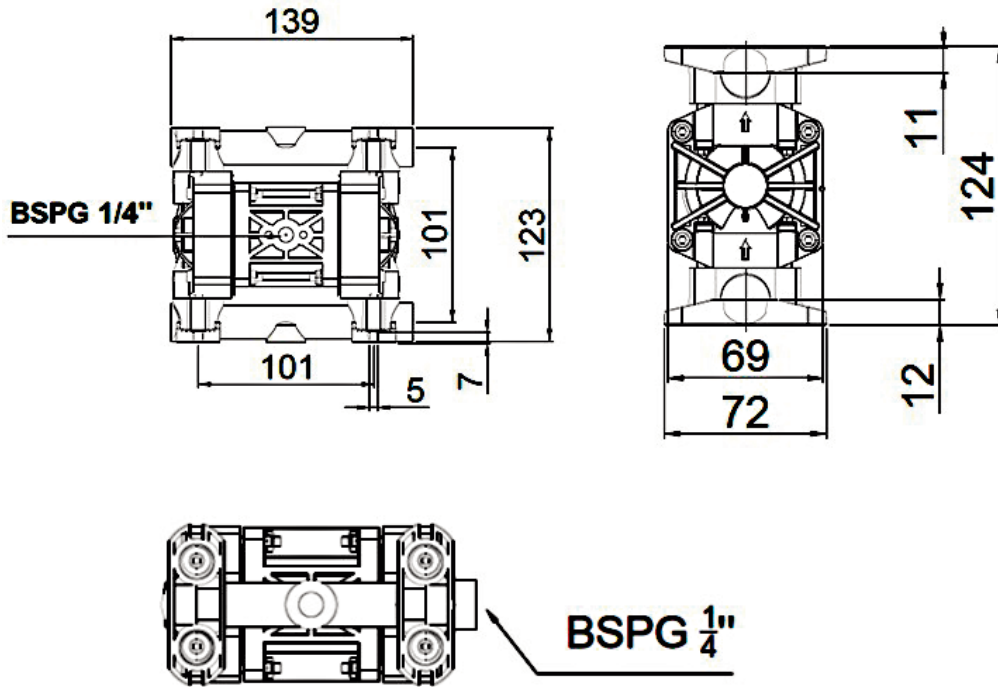
ATEX Certificate	 STANDARD: II 3G Ex h IIB T4 Gc – II 3D Ex h IIIB T135°C Dc CONDUCT: II 2G Ex h IIB T4 Gb – II 2D Ex h IIIB T135°C Db
Construction materials	PP, PP+CF, PVDF+CF
Intake/delivery connections	G 1/4"
Air connection	1/4"
Max. self-priming capacity	3m
Max. flow rate	8 l/min
Max. head	70m
Max. air supply pressure	7 bar
Diameter	0,5 mm
Max. operating temperature	PP: 60°C, PVDF: 95°C
Weight	PP: 0,7Kg, PVDF: 1,3Kg

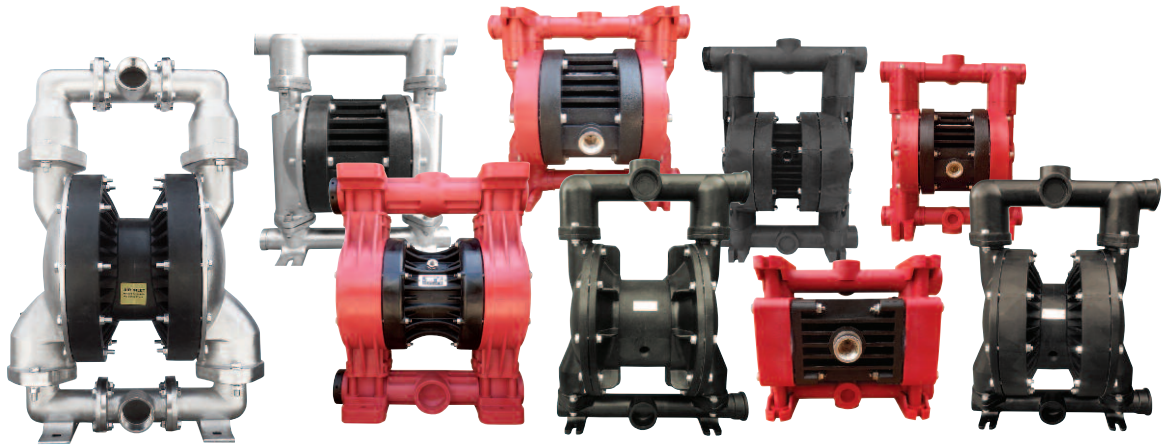
* The curves and performance values refer to pumps with submerged suction and a free delivery outlet with water at 20°C, and vary according to the construction material.

Performance



Dimensions





We Make The Difference



England Sales office:

Rockleigh House, 37 Burton Road
Ashby de la Zouch, Leicestershire
LE65 2LF - United Kingdom (UK)
Registered in ENGLAND & WALES
Registration number 09706219 - VAT No.GB220393343
Tel +44 1213 680 324, +44 1213 680472
email:sales@alphadynamicpumps.co.uk
www.alphadynamicpumps.co.uk

Hellas Production Facilities Unit 1

3 Eleftherias Str Industrial Park of Kifisia
14564 - Kifisia - Hellas
VAT No. EL 999695309
Tel: +30 215 215 9580, +30 215 215 9520
Fax +30 211 268 68 37
email: info@alphadynamic.eu
www.alphadynamic.eu

Hellas Production Facilities Unit 2

30 Seneka str Industrial Park of Kifisia
14564 - Kifisia - Greece
Tel +30 215 215 9152
email: sales@rubypump.com