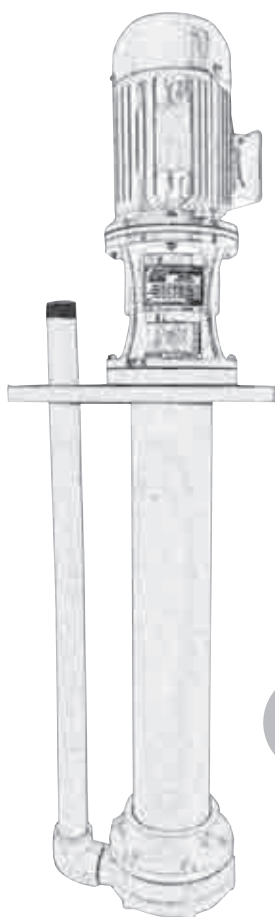


ADV

Vertical Centrifugal Pumps вертикальные полупогружные насосы

Installation, Operation and Maintenance

Установка
эксплуатация
техническое обслуживание



CE



ALPHADYNAMIC PUMPS Co

Industrial Park of Kifisia - HELLAS

www.alphadynamic.eu

INDEX / ОГЛАВЛЕНИЕ

1.	Introduction / ВВЕДЕНИЕ	3 / 19
1.1	General / Общая информация	3 / 19
1.2	Purpose of the Manual / Назначение руководства	3 / 19
1.3	Warning symbols for safety / Предупреждающие знаки по технике безопасности	3 / 19
1.4	Qualification and training of the personnel / Квалификация и обучение персонала	3 / 19
1.5	Explosive atmosphere zones / Зоны взрывоопасной среды	3 / 19
2.	Installation / УСТАНОВКА.....	3 / 19
2.1	Safety general warnings / Общие правила техники безопасности	3 / 19
2.1.1	Introduction about danger / Введение в понятие об опасности	3 / 19
2.1.2	Indications of danger / Указания об опасности	4 / 20
2.2	Receipt and Inspection / Приемка (получение товара) и осмотр	4 / 20
2.2.1	Pump identification / ИДЕНТИФИКАЦИЯ НАСОСА.....	4 / 21
2.2.2	Pump description / ОПИСАНИЕ НАСОСА.....	5 / 21
2.2.3	Working principles / Принципы работы	5 / 21
2.2.4	Technical specifications / ТЕХНИЧЕСКИЕ ХАРАКТЕРИСТИКИ	5 / 22
2.3	Storage / Хранение.....	7 / 23
2.3.1	Transport & Positioning	7 / 23
2.4	Installation / Установка	8 / 24
2.5	Hydraulic system / Гидравлическая система	8 / 24
2.6	Monitoring equipment / / Контрольно-управляющая аппаратура	8 / 24
2.7	Motor connection / Соединение двигателя	8 / 25
3.0	Operation / ЭКСПЛУАТАЦИЯ	8 / 25
3.1	Use and safety / Использование и техника безопасности	8 / 25
3.2	Temperature / Температура	9 / 26
3.3	Before starting / Перед началом работы	9 / 26
3.4	Starting / Начало работы	9 / 26
3.5	Optimum conditions for use.....	10 / 27
3.6	Shut down / Прекращение работы.....	10 / 27
3.7	Long pump inactivity/ Период длительного бездействия	10 / 27
3.8	Noise level / Уровень шума	10 / 27
4.	Maintenance / ТЕХОБСЛУЖИВАНИЕ	10 / 27
4.1	General dispositions / Обще положения.....	10 / 27
4.2	Inspections / Осмотр.....	11 / 28
4.3	Product circuit connection / ПОДКЛЮЧЕНИЕ РАБОЧЕЙ ЦЕПИ	11 / 28
4.4	Commissioning / ВВОД В ЭКСПЛУАТАЦИЮ	11 / 29
4.5	Standard maintenance time schedule / ГРАФИК СТАНДАРТНОГО ОБСЛУЖИВАНИЯ	12 / 29
4.5.1	A Bearing lubrication / СМАЗКА ПОДШИПНИКОВ	12 / 30
4.5.2	B Maintenance for the product circuit. /ТЕХНИЧЕСКОЕ ОБСЛУЖИВАНИЕ СИСТЕМЫ	13 / 30
4.5.3	C Pump opening and internal cleaning / ОТКРЫВАНИЕ НАСОСА И ВНУТРЕННЯЯ ОЧИСТКА	14 / 31
4.5.4	D Replacement of the static seals./ ДЕМОНТАЖ УПЛОТНИТЕЛЯ	15 / 31
4.5.5	E Replacement of the wearing bushings / ЗАМЕНА КОНДУКТОРНЫХ ВТУЛОК	15 / 31
5.0	Problem solutions / РЕШЕНИЯ ПРОБЛЕМ.....	16 / 33
5.1	Decommissioning / ВЫВОД ИЗ ЭКСПЛУАТАЦИИ	16 / 33
5.2	Dismantling and demolition / ДЕМОНТАЖ И РАЗБОРКА	17 / 34
6.	Spare parts / ЗАПАСНЫЕ	17 / 34
6.1	How to order spare parts / Как заказать запасные части	17 / 34
7.	Data / ИСХОДНЫЕ ДАННЫЕ	17 / 34
7.1	Performance curves / Рабочие характеристики	17 / 34
8.	Warranty / ГАРАНТИЯ	18 / 35

1. Introduction

1.1 General

This manual refers to vertical centrifugal pumps of ADV series. Pumps of series ADV are made of thermoplastic materials (Polypropylene or PVDF) and can be of different sizes. Dimensions and capacities available are described in paragraph 7.0.

1.2 Purpose of the manual

The main purpose of this manual is to assure that the activities of installation, operation and maintenance of the pumps are executed in a correct and safe way by all the personnel in charge of these operations. This document offers also indications useful for the customer to solve the problems, order spare parts and contact ALPHADYNAMIC Co repair service.

1.3 Warning symbols for safety



This symbol indicates a possible danger caused by the presence of electrical fields, contacts or wires with electric current.



All the symbols with the exclamation mark indicate an important situation that needs the attention of the personnel. In particular, these are indications useful for the correct functioning and prevention of possible damage to the equipment.



This symbol signals a danger or a situation that requires the maximum attention of the personnel. It's important to respect the instructions stated at the margin of this symbol and proceed very carefully. It's necessary to inform all the personnel and/or users that the rules indicated prevent injuries.

1.4 Qualification and training of the personnel



Those in charge of the installation, operation and maintenance of the pumps have to be qualified to carry out the actions indicated in this manual. ALPHADYNAMIC is not responsible for the inadequate qualification and training of the customer's staff or for the lack of information of the staff regarding the contents of this manual. It's compulsory to always show this manual to the workers in charge of the installation, operation and maintenance of the pump. Keep this manual in a safe place for future consultations.

1.5 Explosive Atmosphere Zones



The pumps described in this manual CANNOT be used in explosive atmospheres. These uses require special pumps that ALPHADYNAMIC Co manufactures with particular materials and precautions. Customers who want to use special pumps in these kind of zones have to contact the ALPHADYNAMIC Co technical office for the correct choice of the product.

WE REMIND YOU THAT THE CLASSIFICATION OF THE ZONE (REF. ATEX 94/9/CE DIRECTIVE) FOR POTENTIALLY EXPLOSIVE ATMOSPHERE ZONES HAVE TO BE DONE BY THE CUSTOMER AND COMMUNICATED TO ALPHADYNAMIC FOR THE RIGHT CHOICE OF THE KIND OF PUMP SUITABLE TO WORK IN THESE ZONES.

Furthermore, the customer is responsible of the correct installation of the pump in accordance with the requirements stated in the Directive.

2. Installation

Preliminary remarks

All the references to the pumps have to be considered applicable also to systems that use these pumps unless it's specified otherwise.

2.1 Safety general warnings

2.1.1 Introduction about danger



ATTENTION: the non-observance of the indications stated in this manual or the inappropriate use of the equipment by unqualified or unauthorized staff, can cause serious personal injuries or death and damages to products and apparatus!

The technical assistance office is at the complete disposal; in case of doubts or problems you can contact us by phone (Number +30 210 4200338) or write an email to info@alphadynamic.eu_ It's strongly recommended that you keep **ALPHADYNAMIC PUMPS** written answer.

2.1.2 Indications of danger



For the safety of those in charge of the installation of the pump it's necessary to use safety clothing and individual safety devices approved by the current provisions of the law (e.g. Safety glass, gloves and safety insulating-shoes)



These pumps have been designed and manufactured to be used in specific conditions and within defined limits. The use outside these specifications has to be agreed and approved by the ALPHADYNAMIC technical service. **It must be considered also that, if the pumps are used outside their technical specifications, the CE Certifications and the warranty are no longer valid. Furthermore, if the pump is used outside the technical specifications communicated to us at the moment of the quotation and confirmed in our order confirmation, the customer becomes responsible for the issue of a new CE Certification.**



The pump has to be used only for the applications specified in the order for which ALPHADYNAMIC Co has selected the model, the materials of construction and has tested the pump to respect the specifications. For other uses different from those stated in the order, the customer has to send always a written request to the ALPHADYNAMIC technical office, which on its part will reply in a written form.

There will not be any warranty for repairs or alterations on the product done by the users or third parties not specifically authorized by ALPHADYNAMIC.



Always shut down the pump before touching or proceeding with any intervention on it or on the circuit of installation. The pump must be empty of pumped liquid and it must be completely decontaminated and successfully rinsed with water before any manual operations or disassembling. Make sure that the electrical system to which the pump will be connected has the adequate power and has the correct protection devices (e.g. Grounding, Life safe).



Always switch off the electrical supply before working on the pump for maintenance or part substitution.
Always keep an extinguisher next to the pump installed.



Always pay maximum attention in the execution of maintenance activities on pumps and on the connected circuits when they are used with dangerous liquids.



The use of an electric starter is recommended. A simple switch can be insufficient to start and stop the electric motor connected to the main electric system. An appropriate starter:

- can prevent accidental starting after a failed attempt to start:
- is a safe switch, protected against water:
- protects the electric motor against overloads due to a short circuit (a fuse protects only the wires);
- resists against starting in overload on the motor, preventing dangerous electric arc and early wear of the electrical contacts.

2.2 Receipt and Inspection

Even if ALPHADYNAMIC takes all the necessary precautions during the packaging, we suggest that you carefully check the received material. Check for any missing parts caused by the courier and/or by ALPHADYNAMIC. Check the data on the label of the received pump and compare it with those relative to your purchase order.

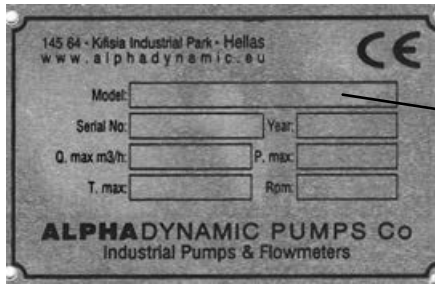
If the pump has been supplied with the motor, remove the protective shield from the fan of the motor and try to rotate the motor shaft by hand. If you feel a strong resistance to rotation or if you hear anomalous noises call your reliable reseller or call the ALPHADYNAMIC assistance service directly. Reassemble the protective fan shield before starting the pump.

2.2.1 Pump Identification

Each pump is fitted with an identification plate detailing its specification and materials. This data must always be reported in all communications to the manufacturer, dealer or service centres.

WARNING: It is forbidden to remove and/or modify the identification plate and/or the data there in.

The identification code * listed aside the TYPE heading, details the pump composition and manufacturing materials in order to determine its suitability and compatibility with the product to be pumped.



2.2.2 Pump description

Recommended use

ADV horizontal, centrifugal pumps made from resin have been designed and manufactured to pump below head liquids having an apparent viscosity between 1 and 500cps, and that are chemically compatible with the components of the pump.

Fluid service temperatures must range from 3°C to a maximum of 60°C for PP pumps and 90°C for PVDF pumps; According to the type of material used to build the pump .

ADV centrifugal pumps are designed for a max working speed of 2900 revs/min, in direct drive with motors equipped with a rear axial compensator .

2.2.3 Working principles



ADV vertical, centrifugal pumps must be installed below head with appropriate procedures to avoid vortex formation and consequent air bubble suction. The pump must work **ONLY** when FLOODED.

The impeller - integrally joined to the shaft and to the direct drive mounted motor- must be set in rotation at a preset speed (max 2.900 revs/min); its centrifugal effect activates suction in the main duct and delivery in the secondary duct



WARNING: use of ADV vertical, centrifugal pumps or anything other than that previously described is to be considered improper use and is forbidden by ALPHADYNAMIC .

Improper use

It is SPECIFICALLY forbidden to use ADV pumps:

- for pumping petrol and/or flammable liquids;
- for pumping food liquids;
- with an opposite rotation to the one specified;
- in self-priming working conditions;
- for suction in the presence of vortexes, turbulence or air bubbles;
- for vacuum service;
- with liquids that are chemically incompatible with the manufacturing materials;
- with products in suspension that have a higher specific weight than the liquid (e.g. water and sand);
- with product temperatures and characteristics of the pump;
- with water that is particularly hard and/ or full of deposits.



WARNING: due to the wide variety of products and chemical compositions, the operator is considered to be the best evaluator of reactions and compatibility with the pump's construction materials. Therefore, before use, carry out all necessary checks and tests to avoid any possible hazardous situation, that cannot be predicted or for which the manufacturer cannot be held liable.

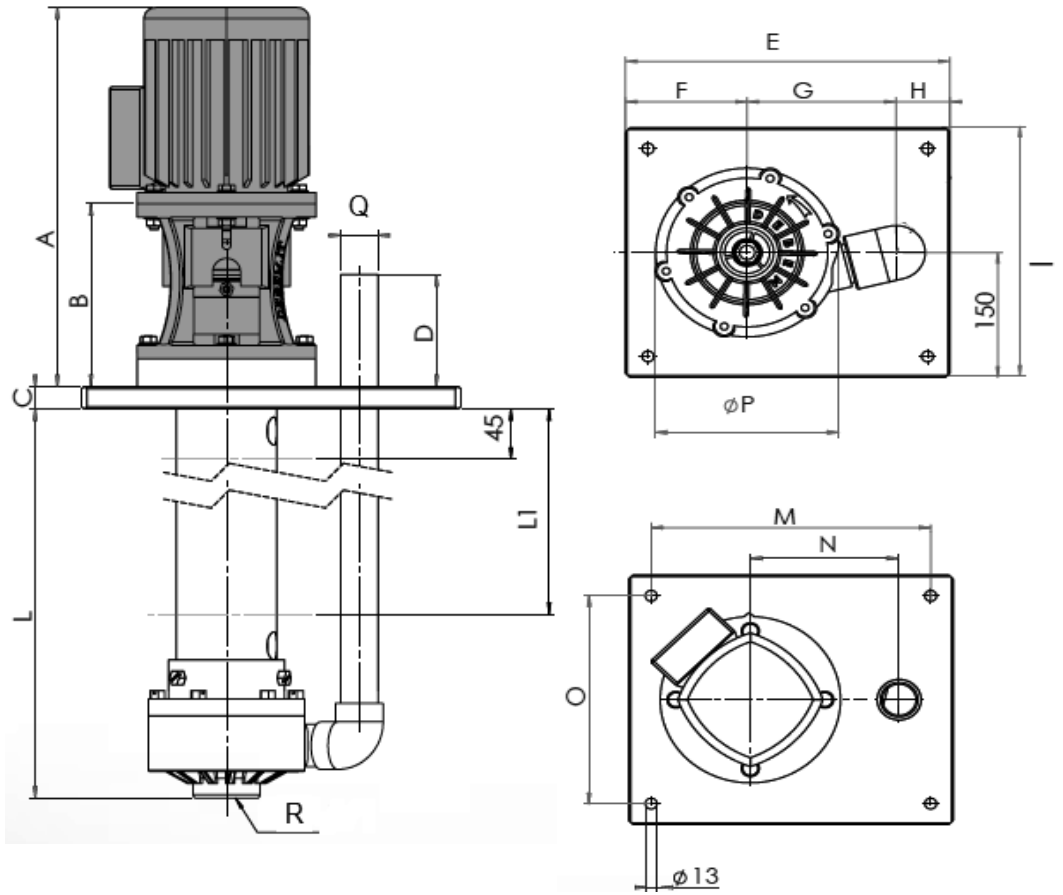


WARNING: use of the pump that does not comply with the instructions indicated in the use and maintenance manual will cancel compliance to the requirements for safety.

The risks associated with the use of the pump under the exact conditions set forth in the use and maintenance manual have been analysed, whilst the analysis of the risks associated with the interface with other system components must be carried out by the installer.

2.2.4 Technical specifications

The data related to performance refer to standard procedures. The NOMINAL flow and the MAX head values refer to pumping of water at 18°C with free-flow suction and delivery.



TYPE	A	B	L	C	D	E	F	G	H	I	M	N	O	P	Q	R
ADV 080	340	164	500-800-1000-1250	20	100	340	130	119	91	260	290	119	210	Φ140	1"	1 1/2"
ADV 090	340	164		20	100	340	130	119	91	260	290	119	210	Φ140	1"	1 1/2"
ADV 095	419	210		25	125	360	135	165	60	300	310	165	250	Φ203	1 1/2"	2"
ADV 110	419	210		25	125	360	135	165	60	300	310	165	250	Φ203	1 1/2"	2"
ADV 120	446	220		25	125	360	135	165	60	300	310	165	250	Φ203	1 1/2"	2"
ADV 130	487	220		25	125	360	135	165	60	300	310	165	250	Φ203	1 1/2"	2"
ADV 140	507	235		25	120	360	135	165	60	300	310	165	250	Φ203	1 1/2"	2"
ADV 150	532	233		25	132	480	170	215	95	380	430	215	330	Φ275	2"	2 1/2"
ADV 155	682	303		25	130	480	170	215	95	380	430	215	330	Φ275	2"	2 1/2"
ADV 160	702	303		25	130	480	170	215	95	380	430	215	330	Φ275	2"	2 1/2"
ADV 180	752	303		25	130	480	170	215	95	380	430	215	330	Φ275	2"	2 1/2"

2.3 Storage



If the pump is kept in the warehouse make sure that it's placed in a dry and protected position; always use the original package or an equivalent protection. If the pump has to remain stored for a long period and/or in particularly damp places the use of hygroscopic substance (silica gel) is recommended to prevent damages.



Don't remove the protections of the flanges until the installation and close, if they are not closed already, the discharge and suction pump connections to prevent the intrusion of foreign bodies.



Be informed that a long period of storage of the pumps can provoke:

- deterioration of the isolation of the motor due to absorption of dampness
- deterioration of the gaskets

2.3.1 TRANSPORTING AND POSITIONING

The operators in charge of the assembly / disassembly must be informed and trained on the dangers relating to the use of mechanical tools, even small ones . When receiving the goods, check that the pump packaging is undamaged; afterwards proceed as follows:

- According to the equipment size and weight the plant is either packaged with cardboard, boxes or on pallets. Open and discard the packaging;
- Consult the Use and Maintenance Manual and comply with its instructions;
- Lift the pump with appropriate lifting means, suitable to the weight indicated on the Id plate.
- Check the correct tightening of all screws.

NOTE: ADV pumps are supplied complete with motor. In case of future handling, if the pump is detached from the motor, before proceeding with its positioning it must be assembled as described in the Chapter 2.8.



WARNING: ADV pumps must be fixed in a vertical position using brackets fixed to the drilled plate provided. Vertical, centrifugal pumps are not self priming, therefore they must always be installed in a sufficiently filled tank, guaranteeing minimum and maximum immersion levels.

6. Position the pump in a perfectly vertical position in the place of installation, attaching it using suitable bolts in the drilled plate. Ensure to provide adequate space for future maintenance operations.



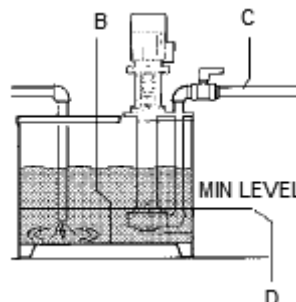
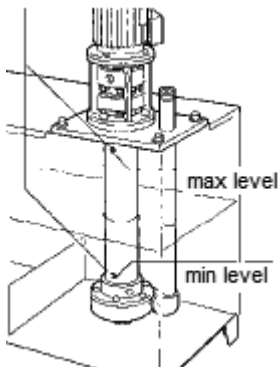
WARNING: the suction inlet must be at least 100 mm. from the bottom of the tank in order to prevent the formation of deposits and obstructions. Do not install filters of any type on the suction inlet.



WARNING: dry operation of ADV pumps, in addition to damaging the bushing, may cause excessive wear of elements subject to horizontal friction and subsequent internal overheating and possible fire, therefore the following rules must be complied with:

- A – the pump is not self priming and must always be installed and adequately immersed (see MIN and MAX level in the tank);**
- B – the suction inlet must be housed inside a suitable weir and away from vortexes, turbulence and/or free discharges into the tank;**
- C – the weight of the delivery pipe must not burden the pump;**
- D – fit a level regulator device that can halt the motor when the pump**

Transportation and positioning are now completed.



2.4 Installation



ALPHADYNAMIC Co. is not responsible for injury to people or damage to things caused by the wrong installation of the pump or installation executed by non-qualified personnel.
Install the pump in a position that guarantees a simple use.

2.5 Hydraulic system

The pump is generally part of a hydraulic system that can include a various number of components such as, valves, fittings, filters, expansion joints, instruments, etc. The way the piping is arranged and the position of the components has a great influence on the operation and on the life of the pump.

2.6 Monitoring equipments

According to the importance of the pumping system, it could be useful to maintain a strict control of the performances and conditions of the process. The use of instruments to monitor the pressure of the suction and discharge circuit is recommended.

Even the monitoring of the electric power absorbed by the motor is possible using a wattmeter.



If the temperature of the pumped liquid represents a critical element install in the system a thermometer, preferably on suction line.

These control instruments can advise of abnormal operating conditions of pumps such as: accidentally closed valves, missing liquid, overloads etc.

2.7 Motor connection



Check that the tension and frequency printed on the label of the motor correspond to those of the electric system to be used.

Don't connect the electric motor directly to the main system but protect the dedicated system with a suitable main switch with adequate safety protections against overloads.

The electric connections have to be always carried out by an expert qualified electrician.



The motors have to be supplied with three-phase tensions or if required by the customer, with mono phase tension. The type of connection of the three-phase motors can be Star (Y) or Delta (Δ) according with the power supply 380 or 220 VAC (see picture 1).

STAR Y

DELTA (Δ)



Make sure that the sense of rotation of the motor is that specified on the pump head and eventually indicated by a sticker arrow on the motor fan; to change the sense of rotation it's sufficient to change two of the three entering line (E.g . L1 with L2) in three-phase motors.

Read the following instructions to change the sense of rotation:

- wear individual homologated protection devices (e.g. Gloves, glasses)
- make sure that the operating conditions are analogous to the specifications of the pump (see paragraph 7)
- install the pump in the hydraulic system

3. Operation

3.1 Use and safety

ATTENTION:

Dangerous or hazardous actions can cause serious injuries or death to people or serious damage to materials and so it's important to assure the respect of all the warnings relative to the safety and the correct use written in this manual.



Verify always that the pumped liquid is compatible with the materials of construction of the pump. For any clarification please contact ALPHADYNAMIC Co technical office.



In case of use for pumping aggressive, toxic liquids or liquids dangerous for the health of the personnel, it's necessary to install on the pump an adequate protection for the containment, the collection and the warning of any dangerous product in case of leakage: e.g. DANGER OF POLLUTION, CONTAMINATION, INJURIES AND/OR DEATH



Do not loosen the connection of the pump while it's under pressure.

Do not start and/or use the pump if there are signs of leak in the system.



The working temperatures have to respect the characteristics of the construction materials of the pump:

- 60°C polypropylene execution (PP)
- 95° C PVDF execution



DO NOT ALLOW THE PUMP TO RUN DRY (note: the Vertical drive pump design doesn't allow the dry-running functioning because it will damage irrevocably the inner parts of the pump)

An accidental failure can generate sprinklings up to considerable distances.



In case of vibrations or anomalous noises, stop the pump immediately .



Do not pump inflamed liquids.



Do not touch the pump while operating.



Before touching the motor or the bracket switch off the electric current.

3.2 Temperature

Increasing the temperature of the pumped liquid can damage the pump and/or the piping/fittings and there can be a situation of serious danger for the people in the nearby.

Avoid sudden changes of the temperature and do not exceed the temperature specified in your order. See the value of temperatures of the construction materials of the pumps in the paragraph 3.1.

3.3 Before starting

Make sure that the pump is installed in accordance with the instructions supplied in the previous section 2.



When the pumping station is new, it's necessary to fill the system with water to control that there are no leaks. **WHEN THE PUMP IS INSTALLED OVER HEAD IT HAS TO BE PRIMED, THIS MEANS THAT IT HAS TO BE FILLED WITH THE LIQUID AND THE SUCTION PIPING HAS TO BE KEPT FULL OF LIQUID BEFORE STARTING THE PUMP.**



ATTENTION: some liquids react with water. VERIFY IF THE LIQUID TO BE PUMPED REACTS WITH WATER. IN THIS CASE THE SYSTEM HAS TO BE COMPLETELY EMPTIED AND DRIED.

3.4 Starting

Start the electric motor and gradually open the discharge pipe until you reach the required flow.

The pump can't operate with the discharge closed.

If the pressure shown on the pressure gauge on the discharge piping does not increase, stop the pump immediately and release the pressure carefully.

Repeat the operation of installation of the pump as in paragraph 2.

If during the starting procedure there are changes of flow-rate, of density, temperature or viscosity of the liquid, stop the pump and contact ALPHADYNAMIC CO technical service.

3.5 Optimum conditions for use

Operating continuously at the maximum performances (maximum capacity/head) there can be an early wear of the pump. As a general rule, we recommend using the pump at half of its maximum capacity (see the paragraph relative to the technical data)



The capacity and the head of the pump refer to water pumping at room temperature. If it pumps high temperature liquids or other viscosities and densities, the performances have to be proportionately decreased. Pumps of series ADV work well with liquids having a viscosity up to 500 CPS³. **HOWEVER BOTH THE VISCOSITY AND THE SPECIFIC GRAVITY HAVE TO BE COMMUNICATED AT THE MOMENT OF QUOTATION.**

3.6 Shut down

Normally the pump should be shut down only after closing the discharge valve. If the suction valve is closed before the other, cavitation of the pump can occur.



In some cases the pump can be used to empty tanks, in these situations the liquid can stop flowing in the pump while this is still working. In these cases a pump operating without liquids (that means dry-running) can be dangerously damaged if it's not stopped immediately. For such applications the use of automatic equipment or the constant presence of a person who can shut down the pump is recommended.

3.7 Long pump inactivity



If the pump has to remain inactive for a long period, before stopping it, it's recommended to let water flow in the system for several minutes so that you avoid any risk of internal deposits or sediments or precipitations of solid parts. Drain the liquid in the pump. An eventual freezing of the liquid inside the pump can cause damage. Always verify if the pumped liquid reacts with water. In this case contact ALPHADYNAMIC Co to find an alternative solution.

If the pump is temporary removed from the system and kept in stock, it's necessary to follow the instructions of paragraph 2.3 "Storage".

3.8 Noise level

In some circumstances, for example when the pump works with high pressure and low capacity the noise increases and can be disturbing for the personnel working in the proximity. In this case it's possible to intervene with:



- earplugs;
- protective homologated caps against noises for the personnel in the proximity;
- soundproofing canopy for the pump. In these cases make sure that the motor ventilation is guaranteed.

4. Maintenance

4.1 General dispositions



During the warranty period disassembly activities of the pump are allowed only for ALPHADYNAMIC Co personnel or personnel authorized by ALPHADYNAMIC Co. All the operations described in the paragraphs below have to be done exclusively by qualified staff and following step by step all the warnings written in this manual.

Clean the external surface of the pumps using only antistatic equipment. Every operation executed on the apparatus has to be done after the disconnection of electric supply.



Use exclusively a goods lift to move pumps with weight higher than 16 kg. During the movements of the machine or parts of the machine avoid collisions or falls which can damage the apparatus.

Before disassembling the parts of the pump, make sure that the dangerous internal liquids have been removed / washed. **THE PUMP HAS TO BE DRAINED AND DECONTAMINATED.**



Pay attention that some internal liquids can have dangerous reactions in contact with water.

During the operations of unloading of dangerous liquids make sure that situations of danger for people or environment don't occur.

4.2 Inspections

In general ADV pumps do not need a "routine" maintenance and most of all they don't require frequent dismantling.

However periodical inspections are advisable to verify the state of wear of the impeller, the shaft and the bearings and if the general conditions of the internal parts of the pump are good.

The time between the inspections is strongly dependent on the operation conditions of the pump: the characteristics of the liquid, the temperature, the materials used and obviously the period of operation.

If a problem occurred or the pump needs a complete inspection see section "Problem solutions" and "Pump disassembly".

4.3 Product circuit connection

After having correctly positioned the plant, proceed with connecting the pump to the product circuit, as follows:



WARNING: To connect the pump only use connections with cylindrical gas threads made with materials compatible with the fluid to be pumped and with the pump materials. E.g: pump in PP = connections in PP

Check if the connection tubes to the pump are clean inside and do not contain any working residue.

1. Install a manual full-bore ball valve on the delivery manifold, of a diameter equal to the pump connection (never smaller), thus to ensure fluid shut-off in case of leaks and/or future maintenance.
2. Install the delivery conduit on the manual valve of the pump, using rigid tubes made from the same material as the pump.



WARNING the delivery conduit must be executed using rigid pipes made from a material that is compatible with that of the pump and the fluid to be pumped. Never use pipes that have a smaller diameter than the pump connection.



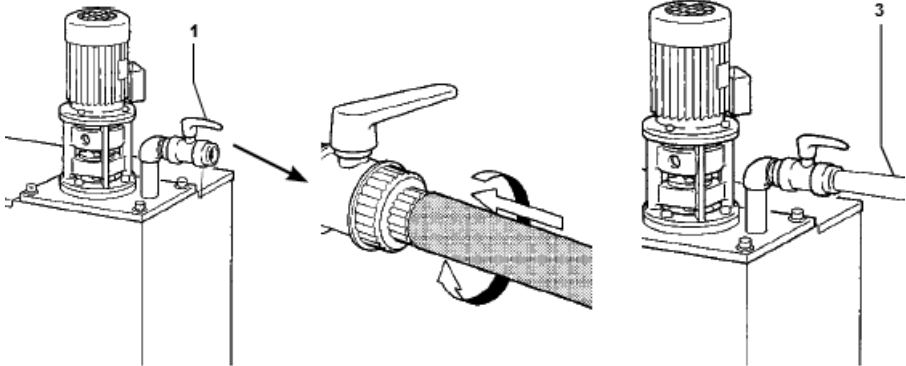
WARNING: pipes must be adequately supported;

DELIVERY PIPING MUST NOT FORM SIPHONS AND MUST NEVER BURDEN THE PUMP.

3. Provide adequate support for the delivery conduit.



WARNING: Check that the treated fluid does not or could contain solid matter of a large size or a potentially damaging shape and that there are no restrictions or obstructions on the suction and/or delivery of the pump, thus avoiding phenomena such as cavitation and electrical motor strain.



4.4 Commissioning

The installer/operator must always use material compatible with the pumped liquid and in accordance with the design conditions of the pump.



WARNING: it is forbidden to use liquids that are incompatible with the materials of the pump components or in an environment where there are incompatible fluids.

In order to start-up the pump, proceed as follows.

1. Check that the product delivery conduit is connected.



WARNING: dry operation of ADV pumps, besides damaging the internal bushing, causes overheating and fusion of parts subject to horizontal friction, and may subsequently cause a fire.

2. Open the manual ball valve of the fluid piping;
3. Fill the tank, respecting the MIN and MAX levels, so as to flood the pump.
4. Start the motor with the appropriate controls.
5. To stop the pump, only use the stop controls of the pump electrical motor.



WARNING: never stop a working pump by closing the delivery ball valve of the fluid circuit: THE PUMP MAY STALL AND/OR A FIRE MAY BE CAUSED BY THE FUSION OF THE CERAMIC BUSHING DUE TO DRY OPERATION.



WARNING: check that there is no anomalous noise vibration while the pump is working. If so, immediately stop the pump, check and eliminate the cause.



WARNING: check that there are no air bubbles in the outlet fluid. If so, immediately stop the pump, check and eliminate the cause.

WARNING: do not install filters on the suction inlet as they may cause pressure loss.

6 After the first two hours of operation of the pump, and after having stopped it correctly, you must:

- A. visually check that there is no product leakage from the casing;
- B. check the tightening of all bolts;
- C. check the seal of the fluid delivery conduit.

The noise levels of the machine correspond to:

- The sound pressure level of the A weighted emission, in the working place, is less than 75 dB.

4.5 Standard maintenance time schedule

In order to guarantee performance and safe use, ADV pumps need standard maintenance operations throughout their life span and in accordance to the time-schedule detailed in the table. The time schedule for routine maintenance shown in the table refers to standard use and working conditions; more demanding working conditions require more frequent operations, with a 30% to 50% more frequent interventions than that indicated.



WARNING: failure to proceed and/or comply with standard maintenance and/or its time schedule, renders the warranty null and can excessively wear and damage the internal parts of the pump and/or the motor, as well as create hazardous situations, for which the manufacturer is not to be held liable.

CHECK AND/OR OPERATION	EVERY 100 HOURS	EVERY 1000 HOURS	EVERY 1500 HOURS
A GREASE THE BEARING	•		
PRODUCT CIRQUIT MAINTENANCE		•	
INTERNAL CLEANING OF THE PUMP		•	
REPLACEMENT OF THE WEARING BUSHING			•
REPLACEMENT OF STATIC SEAL SEAL		•	

4.5.1 A Bearing lubrication

The pump bearing must be periodically lubricated after every 100 hours of operation as follows:

WARNING: before starting any work on the pump and/or carrying out this maintenance work you must first:

A -stop the motor and disconnect the electric supply to prevent it from starting in an uncontrolled manner;

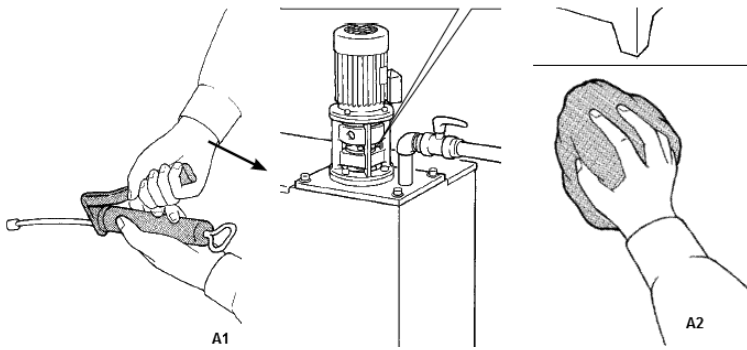
B -discharge the product that was being pumped and close the on off delivery valve.

C -wear suitable protective equipment before starting work (face mask, gloves, closed shoes, overalls, etc

A1 Fill the grease cup using a grease gun, without overfilling it.

WARNING: lubricate using bearing grease.

A2 Remove any grease from the pump shaft using a clean cloth.



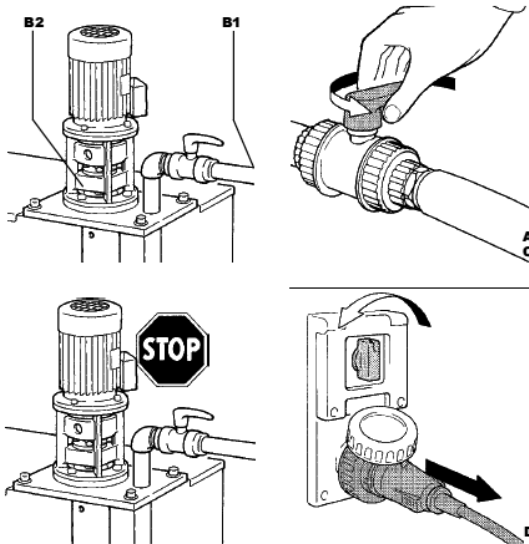
4.5.2 B Maintenance for the product circuit

Product circuit maintenance checks must be carried out periodically every 1,000 hours to check for product leakage, proceeding as follows:

- B1 Check that there is no product leakage from the delivery conduit.
- B2 Visually check that there is no leakage between the flange and the casing.

WARNING: in case any leakage results, before any operation on the pump and/or before any maintenance or repair operation, proceed as follows:

- A. discharge the product being pumped and close the product delivery on-off valve; B. circulate a suitable, nonflammable washing fluid, after which drain it out by opening the delivery valve; stop the pump motor;
- C. close the product on-off valve
- D. section the power supply to the motor of the pump to prevent uncontrolled start-ups;



- E. wear appropriate individual protective devices before any operation (mask, gloves, tie-up shoes, aprons, etc.).



WARNING: To clean the pump, only use a clean cloth, moistened with an appropriate detergent. Before intervening on the pump and/or before carrying out maintenance or repair operations, you must

- Wait for the pump to cool down for at least fifteen minutes
- Perform the necessary operations while wearing protection gloves and any other appropriate personal protection equipment (face masks, gloves, closed shoes, etc.):
Danger of burning and ejection of liquid under pressure.

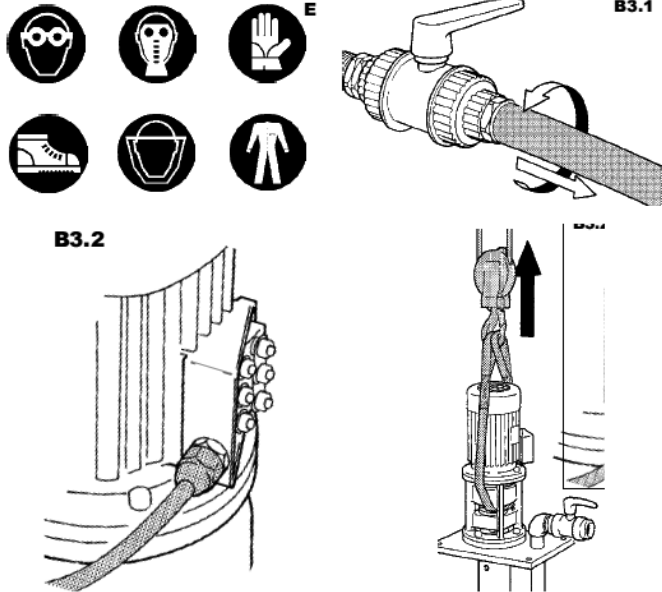
B3 To carry out maintenance and/or internal repairs, disassemble the pump as follows:

B3.1 Disconnect the fluid delivery pipe.

B3.2 Disconnect the power supply cable from the terminal board of the motor.

B3.3 Proceed with disassembling and remove the pump from the installation area, using appropriate lifting equipment.

NOTE: For the pump assembly and disassembly sequence of the operations hereafter described consult the relevant, spare parts table



4.5.3 C Pump opening and internal cleaning

This operation must be carried out regularly every 1,000 working hours or, in the event of loss of performance, to verify the condition and/or to replace the impeller.

To open and clean the pump, proceed as follows:

C1 Remove any elbows and/or manual valves from the delivery pipe.

C2 Remove the screws and the outer cover of the pump body;

C3 Clean the impeller and/or, if it is damaged, replace with original spare parts.

NOTE: Up to size ADV140, the pumps have an O-Ring inside the hole of the impeller. Pump sizes ADV150, ADV155 and ADV160 have a teflon washer flush with the ceramic bushing behind the impeller.

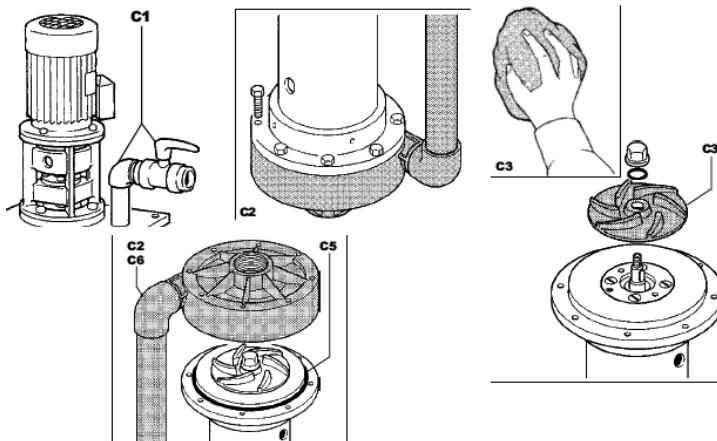
WARNING: all OR gaskets must be replaced every time the pump is opened/ reassembled: PRODUCT LEAKAGE HAZARD

C4 Remove any deposits found inside the body of the pump, the internal conduits and the area behind the impeller.

C5 Replace the gaskets with original spare parts of the same type.

C6 Proceed with reassembly, following the inverse order and fasten the bolts on the pump cover evenly.

The impeller cleaning and/or replacement is now completed and it is now feasible to reposition and connect the pump as described in the previous Chapters.



4.5.4 D Replacement of the static seals

The static seals must be replaced every time that the pump is disassembled, but in any case complete replacement must occur after 1,000 working hours, proceeding as follows:

- D1 Disassemble the pump as described in section C of this chapter.
- D2 With the help of the spare parts lists, disassemble the internal parts of the pump.
- D3 Replace all of the internal static seals with original parts of the same type.
- D4 Reassemble the pump following the drawings on the spare parts lists.

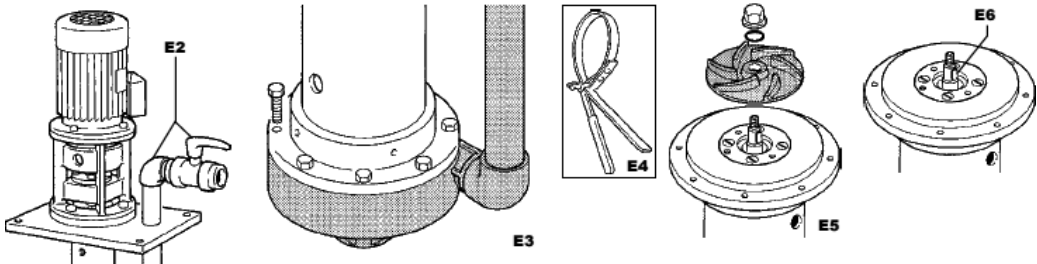
4.5.5 E Replacement of the wearing bushings

This standard maintenance operation must be carried out every 1.500 working hours, either for a check or due to a flow-through or leaks through the holes of the casing flange.

In order to disassemble the internal bushing, proceed as follows:

WARNING: lack of maintenance and excessive wear of the internal ceramic bushing causes internal vibration of the shaft that may cause product leakage from the spindle flange: **PRODUCT PROJECTION HAZARD**

- E1 Disassemble the pump as described in section C of this chapter.
- E2 Remove the manual valve on the pump's delivery conduit.
- E3 Remove the screws and withdraw the external shell of the pump body with the delivery conduit.
- E4 Holding the impeller still with an appropriate whip, loosen the impeller's lock nut.
- E5 Withdraw the OR gaskets and the impeller.
- E6 Verify the play of the shaft and the ceramic bushing in their housings



E7 To replace the bushing, proceed as follows:

- E7.1 Remove the key of the impeller from the shaft.
- E7.2 Withdraw the worn bushing from the shaft.
- E7.3 Unscrew the screws of the support flange with the worn external bushing and remove it with the help of extraction holes.

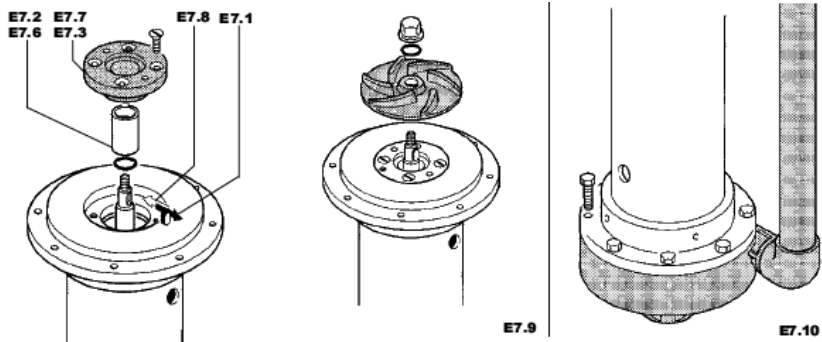
WARNING: the internal bushing is composed of extremely precise elements, manufactured in ceramic material and in reinforced Teflon, hence they must never be lubricated and/or handled with dirty hands to avoid irreparable bare or damage.

- E7.4 Wear clean protective gloves and glasses.
- E7.5 To clean the bushing, use a clean cloth, moisten with alcohol;
- E7.6 Reassemble the new internal bushing in its housing.

E7.7 Reassemble the support flange with the new external bushing and fix it with appropriate screws.

WARNING: all OR gaskets must be replaced every time the pump is opened/reassembled: **PRODUCT LEAKAGE HAZARD.**

- E7.8 Fit the key on the shaft housing.
- E7.9 Fit the front O-ring gasket and the nut and tighten it until the impeller is locked.
- E7.10 Reassemble the pump casing and the fastening screws and evenly tighten with a crossequence.



5.0 .Problem solutions

The following instructions are exclusively reserved to qualified and authorized maintenance operators. In case of any anomaly and to remedy malfunctioning, follow the instructions hereafter to identify the anomaly.

WARNING: for any major intervention, contact ALPHADYNAMIC ASSISTANCE: our technicians will assist you in the shortest possible time.

DEFECTS	POSSIBLE CAUSE	SUGGESTION
1. The pump does not start	1.1 Power failure	1.1 Check the electrical power circuit and supply
	1.2 Seized impeller	1.2 Disassemble the pump body and check
2. The pump is operating and not pumping	2.1 The impeller is damaged	2.1 Disassemble the pump and check the impeller
	2.2 The manual delivery valve is closed	2.2 Open the delivery valve and /or check the delivery pipes
	2.3 Suction is blocked	2.3 Open the suction valve and /or check the suction pipes and filter conditions
	2.4 Fluid is too dense	2.4 Install oversized pipes , especially for suction and decrease the pump revolutions
	2.5 Clogged suction	2.5 Check and clean
3.The pump does not deliver as per performance curve	3.1 Fluid is too dense	3.1 No solution
	3.2 Cloged delivry pipe	3.2 Check and clean
	3.3 Clogged suction	3.3 Check and clean
	3.4 The impeller is damaged	3.4 Replace the impeller
	3.5 Damaged pump body	3.5 Disassemble the pump body and check
	3.6 Electrical motor wrongly connected	3.6 Check the electrical connection and power voltage
	3.7 The electric motor is damaged	3.7 Replace the motor
4.Noise and vibrations	4.1 Suction clogs while working	4.1 Replace the motor
	4.2 Damaged pump shaft	4.2 Disassemble pump and motor and check the shaft and its rotation concentricity
	4.3 The impeller touches the pump body	4.3 Open the pump and check
	4.4 Worn-out bearings	4.4. Opn pump dissassemble the play of the bearings
	4.5 Incorect installation	4.5 Check the installation again with greater care
	4.6 Worn-out sealing	4.6 Open the pump , disassemble the sealing and check its conditions
5.The Motor overheats	5.1 Fluid is too dense	5.1 No solution
	5.2 Wrong electrical connection	5.2 Check the supply voltage and the motor connections
	5.3 The impeller touches the pump body or there is some foreign matter	5.3 Open the pump and check
	5.4 Damaged pump shaft	5.4 Open the pump , disassemble the motor and check the pump ashaft and its rotation concentricity

5.1 Decomissioning

In case of long periods of inactivity, proceed as follows:

WARNING: discharge all fluid from the pump. The pump must be suitable washed and treated by running a non-flammable liquid detergent through it that is compatible with the pump's construction materials: FIRE, INJURY, HEALTH AND/OR DEATH HAZARD.

1. Proceed with washing the inside using products appropriate to the fluid pumped;
2. Wait for the product discharge and then stop the motor and section the electrical power
3. Close the fluid delivery valve assembled on the pump.
4. If the pump is to be stored, proceed with:

4.1 If the pump has not worked for long periods, it is recommended to put clean water in the circuit for a few minutes before starting operation again, thus avoiding sediments.

4.2 Disconnect the electrical motor from the power supply;

4.3 Disassemble the pump as described in the first section, "B MAINTENANCE OF THE PRODUCT CIRCUIT" Chapter

4.4 Supply the motor with packets of hygroscopic salt for humidity and protect it with a plastic sack.

WARNING: Storage must be in a closed and well ventilated environment, with a temperature between 5° and 28°C and a humidity not higher than 90%.

5.2 Dismantling and demolition

ADV vertical, centrifugal pumps are not made with hazardous materials or parts; at the end of their working life however, it is necessary to dispose as follows:

WARNING: discharge all fluid from the pump. In case of hazardous, toxic and/or harmful products, wash and treat appropriately. INJURY, HEALTH AND/OR DEATH HAZARD.

1. Disconnect the power supply from the pump's motor.
2. Disassemble the pump from the installation place;
3. Wash and/or treat the pump internally and externally, according to the product it treated;
4. Sort out the components by type, and in accordance with the pump composition as indicated on the identification plate.

WARNING: For disposal, please refer to authorized firms, ensuring not to dispose small or large parts in the environment were they might cause pollution, accidents or direct/indirect damage.

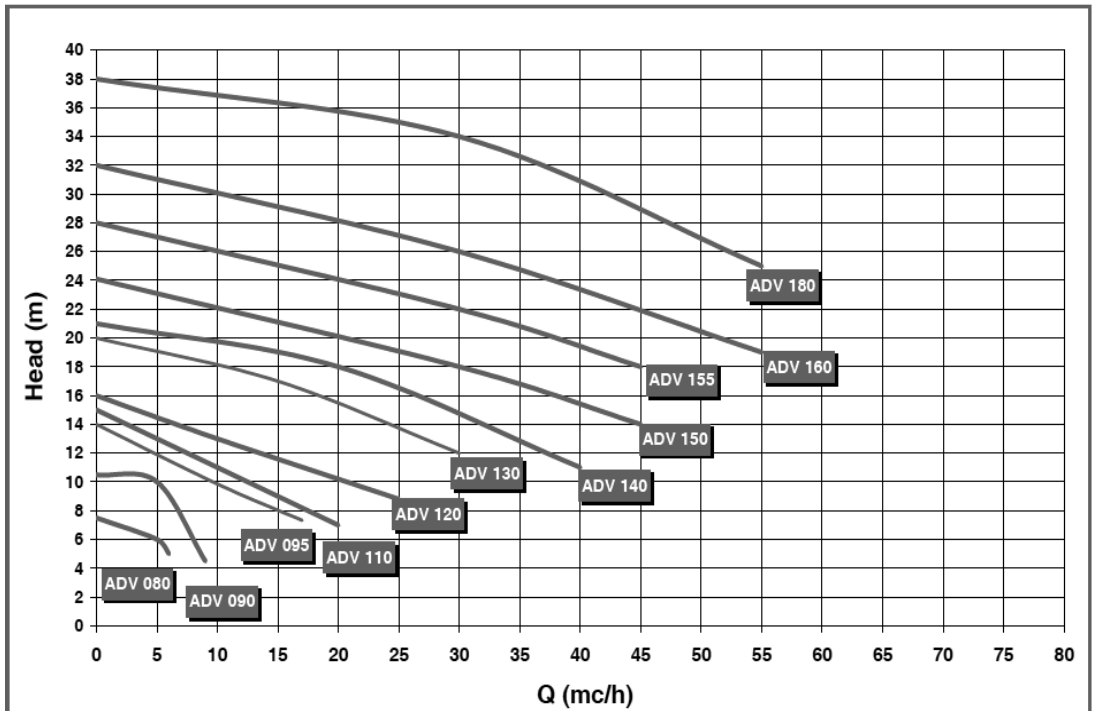
6. Spare parts

6.1 How to order spare parts

A complete kit of spare parts for these kinds of pumps is available. Please contact ALPHADYNAMIC PUMPS co or our distributors. To have the spare parts it's necessary to communicate the model of the pump, the size, the material, the serial number, the year of construction and the number relative to the spare part required. All the references are written directly on the pump label and on the section drawings of the pump. If you don't have the necessary drawings please contact the ALPHADYNAMIC PUMPS Co.

7. Data

7.1 Performance curves



8. Warranty

All ALPHADYNAMIC PUMPS Co products are guaranteed for a period of twelve (12) months starting from the delivery date of the goods.

For the warranty service to be applicable the customer must report the defect in writing no later than 8 (eight) days from the moment that the damage occurs, and must return the part (or parts) to ALPHADYNAMIC PUMPS Co for repair or replacement. Pumps cannot be repaired or substituted on site. In the case of a request of warranty service, it's better to send the complete pump together with its motor to ALPHADYNAMIC PUMPS Co.

The costs of delivery and the relative risks, and possible customs duties have to be paid by the customer. ALPHADYNAMIC PUMPS Co will not accept the costs of collection and shipment. The manufacturer is not responsible for damages caused during the shipment of the parts or of the pump sent to ALPHADYNAMIC Co to be repaired under warranty.

The warranty system provides that, after a careful examination at our factory, ALPHADYNAMIC is free to choose to repair or replace the part (or parts) of the pump which is/are defective in materials or in workmanship, or both. We will not give any refund or credit for the defective material or for direct or indirect damages caused by our pumps. In any case, any reimbursement cannot exceed the cost of the pump or of the supplied material.

If the pumped liquid and the needed performances have not been communicated to ALPHADYNAMIC before the offer and confirmed in the quotation and order confirmation, the customer takes the whole responsibility for the usage of the product, especially if not used in an appropriate way, and the warranty, the conformity to the Machine Directive 2006/42/CE and the relative CE declaration are no longer valid. In this case the customer is the only responsible for the introduction of the pump in the market, for the declaration of conformity to the Machine Directive and the CE mark. In any case the user is considered the one who knows better the chemical compatibility and the reactions between the liquid to be pumped and the material of construction of the pump and consequently the information given in this regard by ALPHADYNAMIC PUMPS is merely indicative.

If the returned piece is no longer covered by guarantee, or if after inspection ALPHADYNAMIC PUMPS finds the piece to be not defective, inspection charges will be charged to the customer and the repaired or substituted piece will be returned to the customer at the customer's own expense.

Pumps which have been repaired or substituted under guarantee will be supplied on the same delivery conditions as the order and the warranty will not be extended. Warranty does not cover components subject to natural wear due to time, such as mechanical seals, bearings, bushings and lip seals.

The customer is solely responsible for the good performance of pumps and for their careful maintenance. Therefore no claims will be allowed when goods have been improperly handled (not stored in a suitable closed dry place, which is necessary because of the fragility of materials), contaminated, handled with negligence, improperly installed, tampered with or not well regulated, incorrectly used in wrong applications. In particular, ALPHADYNAMIC Co will not take any responsibility in the case of wear due to corrosion.

Ordinary maintenance and repair executed outside ALPHADYNAMIC Co authorized network, will cause invalidation of the warranty and of the CE declaration of conformity. The warranty does not cover damages due to extraordinary or natural events, such as lightning, ice, fire and others.

All the warranty obligations are considered fully satisfied after the repair or substitution of the defective parts.

The Warranty service will be suspended in the case of default or delayed payment and the period lost cannot be recovered.

This warranty is an integral part of the offer and of the order confirmation. In the case of litigation the court which has jurisdiction is the Athens (Greece) and the law that will be applied is the Greek Law.

1. ВВЕДЕНИЕ

1.1 Общая информация

Данное руководство относится к центробежным насосам серии ADV. Насосы серии ADV выполнены из термопластичных материалов (полипропилен или PVDF) и могут быть разных размеров. Размеры и доступные возможности описаны в пункте 7.0.

1.2 Назначение руководства

Основной целью данного руководства является гарантия, что работа по установке, эксплуатации и обслуживанию насосов выполнена правильным и безопасным образом, персоналом, ответственным за эти операции. Этот документ предлагает также полезные для клиента указания, с помощью которых можно решать проблемы, заказывать запасные части и связываться с ремонтной службой ALPHADYNAMIC Co.

1.3 Предупреждающие знаки по технике безопасности



Этот символ указывает на возможную опасность, вызванную наличием электрических полей, контактов или проводов с электрическим током.



Все символы с восклицательным знаком указывают на важные обстоятельства, которые нуждаются в особом внимании персонала. В частности, это знаки, полезные для правильного функционирования и предотвращения возможного повреждения оборудования.



Этот символ сигнализирует об опасности или об обстоятельствах, которые требуют максимального внимания персонала. Важно уделить внимание правилам, указанным после этого символа и действовать очень осторожно. Необходимо сообщить всему персоналу и/или пользователям о том, что указанные правила помогут избежать травм.

1.4 Квалификация и обучение персонала

Лица, ответственные за установку, эксплуатацию и техническое обслуживание насосов должны быть квалифицированы, чтобы выполнять указания данного руководства. ALPHADYNAMIC не несет ответственность за недостаточную квалификацию и обучение персонала заказчика или за отсутствие информированности персонала о содержании данного руководства. Всегда необходимо знакомить работников, отвечающих за установку, эксплуатацию и техническое обслуживание насоса с настоящим руководством. Храните это руководство в безопасном месте для последующих консультаций



1.5 Зоны взрывоопасной среды

Насосы, описанные в данном руководстве НЕЛЬЗЯ использовать во взрывоопасной среде. В такой среде необходимо использовать специальные насосы, которые ALPHADYNAMIC Co производит из специальных материалов и с определенными мерами предосторожности. Клиенты, которые хотят использовать специальные насосы в подобных зонах, должны связаться с техническим отделом ALPHADYNAMIC Co для правильного выбора продукта.



НАПОМИНАЕМ, ЧТО КЛАССИФИКАЦИЯ ЗОНЫ (см. ДИРЕКТИВУ АТЕХ 94/9/СЕ) ДЛЯ ПОТЕНЦИАЛЬНО ВЗРЫВООПАСНЫХ АТМОСФЕРНЫХ ЗОН ДОЛЖНА БЫТЬ СДЕЛАНА ПО ВЫБОРУ ЗАКАЗЧИКА И ДОНЕСЕНА ДО ВЕДОМА ALPHADYNAMIC ДЛЯ ПРАВИЛЬНОГО ВЫБОРА ТИПА НАСОСА, ПОДХОДЯЩЕГО ДЛЯ РАБОТЫ В ЭТИХ ЗОНАХ.

Кроме того, клиент несет ответственность за правильную установку насоса в соответствии с требованиями, изложенными в Директиве.

2. УСТАНОВКА

Предварительные замечания

Все ссылки на насосы должны быть применены также к системам, которые используют эти насосы, если не указано иное.

2.1 Общие правила техники безопасности

2.1.1 Введение в понятие об опасности

ВНИМАНИЕ: несоблюдение указаний, изложенных в этом руководстве, или неправильное использование оборудования неквалифицированным или несанкционированным персоналом может привести к серьезным травмам или смерти и повреждения оборудования!



Офис технической помощи находится в Вашем полном распоряжении; а в случае сомнений или возникновения проблемы вы можете связаться с нами по телефону (номер +30 210 4200338) или написать нам на info@alphadynamic.eu. Настоятельно рекомендуем сохранять письменные ответы **ALPHADYNAMIC PUMPS**

2.1.2 Указания об опасности



Для безопасности лиц, ответственных за установку насоса необходимо использовать защитную одежду и индивидуальные защитные средства, утвержденные действующим законодательством (например, безосколочное стекло, защитные перчатки и защитную изоляционную обувь).



Эти насосы были разработаны и изготовлены для применения в конкретных условиях и в определенных пределах. Их использование за рамками этих спецификаций должно быть согласовано и утверждено технической службой ALPHADYNAMIC. **Необходимо учитывать также, что, если насосы используются за пределами своих технических характеристик, то Сертификат CE и Гарантия становятся не действительными. Кроме того, если насос используется за пределами технических характеристик, сообщенных нам в момент котировки и указанных в нашем подтверждении заказа, клиент становится ответственным за выдачу нового сертификата CE.**



Насос должен использоваться только для целей, указанных в заказе, для которых ALPHADYNAMIC Co выбрал модель, материалы конструкции и провел испытания насоса на предмет соответствия спецификациям. Для использования с другими целями, отличительными от изложенных в заказе, клиент всегда должен отправить письменный запрос в технический отдел ALPHADYNAMIC, который со своей стороны ответит в письменной форме.

Гарантия не распространяется на такой ремонт или замену оборудования пользователем или третьей стороной, который не был оговорен ALPHADYNAMIC.



Всегда выключайте насос перед тем, как прикасаться к нему или каким-либо образом вмешиваться в его работу или в схему его установки. Насос должен быть освобожден от перекачиваемой жидкости, и он должен быть полностью очищен и тщательно промыт водой перед началом любых ручных операций или разборки.

Убедитесь, что электрическая система, к которой насос будет подключен, имеет достаточную мощность и имеет правильные устройства защиты (например, заземление, безопасность жизни).



Всегда выключайте электрическое питание перед началом технического обслуживания насоса или замены его запасных частей.

Всегда держите огнетушитель рядом с установленным насосом.



Всегда обращайтесь максимум внимания при выполнении работ по техническому обслуживанию насосов и на подключенных контурах, когда они используются с опасными жидкостями.

Рекомендуется использование электрического стартера. Простой переключатель может быть неэффективен для запуска и остановки электродвигателя, подключенного к основной электросети. Подходящий стартер:

- поможет избежать случайного запуска после неудачной попытки старта;
- является безопасным переключателем, защищенным от воды;
- защищает электродвигатель от перегрузок из-за короткого замыкания (предохранитель защищает только провода);
- сопротивляется запуску с перегрузкой на двигателе, предотвращая опасную электрическую дугу и ранний износ электрических контактов.



2.2 Приемка (получение товара) и осмотр

Даже если ALPHADYNAMIC принимает все необходимые меры предосторожности во время упаковки, мы предлагаем вам внимательно проверить полученный товар. Проверьте, нет ли недостающих частей, по вине курьера и / или ALPHADYNAMIC.

Проверьте данные на этикетке полученного насоса и сравните их с вашим заказом.

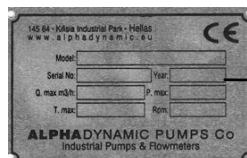
Если насос снабжен двигателем, снимите защитный щит на вентиляторе двигателя и попытайтесь повернуть вал двигателя вручную. Если Вы почувствуете сильное сопротивление вращению или если вы слышите аномальные шумы, позвоните Вашему торговому посреднику или позвоните в службу помощи ALPHADYNAMIC напрямую. Установите на место защитный щит вентилятора перед запуском насоса.

2.2.1 ИДЕНТИФИКАЦИЯ НАСОСА

Каждый насос оснащен идентификационной табличкой с описанием его подробных характеристик и материалов, из которых он изготовлен. Эти данные всегда должны быть указаны во время любых консультаций и переговоров с производителем, продавцом или центром технического обслуживания.

ПРЕДУПРЕЖДЕНИЕ: Запрещается удалять и / или заменять идентификационную табличку и / или данные в ней.

Идентификационный код * и перечисленные данные: ТИП, подробности о составных частях насоса и материалах, из которых он изготовлен, необходимы чтобы определить, подходит ли он и совместим ли с тем или иным перекачиваемым продуктом



2.2.2 ОПИСАНИЕ НАСОСА

Рекомендации по применению

центробежные насосы ADV, изготовленные из полимера, были разработаны и изготовлены для перекачивания жидкостей ниже головной фракции с предполагаемой вязкостью от 1 до 500cps, химически совместимых с компонентами насоса.

Температура текущей жидкости должна варьироваться от 3°C до максимум 60°C для насосов PP и 90°C для насосов PVDF; в зависимости от материала, из которого изготовлен насос

Центробежные насосы ADV предназначены для максимальной рабочей скорости 2900 об/мин, с двигателями прямого привода, оснащенными задним осевым компенсатором (для замедления), имеющими следующие производственно-технические характеристики:

ТРЕХФАЗНЫЙ / 2 ПОЛЮСНЫЙ АСИНХРОННЫЙ ДВИГАТЕЛЬ

- Евро напряжение , S1 статус (непрерывный режим работы) , - Класс изоляции F , Класс защиты IP 55

2.2.3 Принципы работы

центробежные насосы ADV Насос можно эксплуатировать ТОЛЬКО если он ЗАПОЛНЕН ЖИДКОСТЬЮ. Рабочее колесо, соединенное в одно целое с валом и с мотором с прямым приводом, должно быть установлено в ротации с заданной скоростью (макс 2.900 об / мин); и его центробежный эффект активизирует всасывание в главном канале и доставку на вторичном канале.

ПРЕДУПРЕЖДЕНИЕ: использование горизонтальных центробежных насосов ADV иначе, чем описано выше, следует считать ненадлежащим (неправильным) использованием, и запрещено ALPHADYNAMIC.

Неправильное (ненадлежащее) использование

Особенно запрещено использовать насосы ADV:

- для перекачивания бензина и / или горючих жидкостей;
- для перекачивания пищевых жидкостей;
- с противоположным вращением к тому, которое определено для насоса.
- для вакуумной эксплуатации;
- с жидкостями, химически несовместимыми с материалами, из которых изготовлен насос;
- с суспензиями, которые имеют более высокий удельный вес, чем жидкость (например, водой и песком).
- с продуктом, температура и характеристики которого не подходят для насоса.
- сособо тяжелой водой, или с водой, содержащей депозиты.



ВНИМАНИЕ: в связи с большим разнообразием продуктов и химических составов, оператор считается лучшим оценщиком реакций и совместимости перекачиваемого продукта с материалами, из которых изготовлен насос. Поэтому перед использованием, необходимо провести все необходимые проверки и испытания, чтобы избежать любую возможную опасную ситуацию, которая не может быть предсказана или за которую производитель не может нести ответственность.

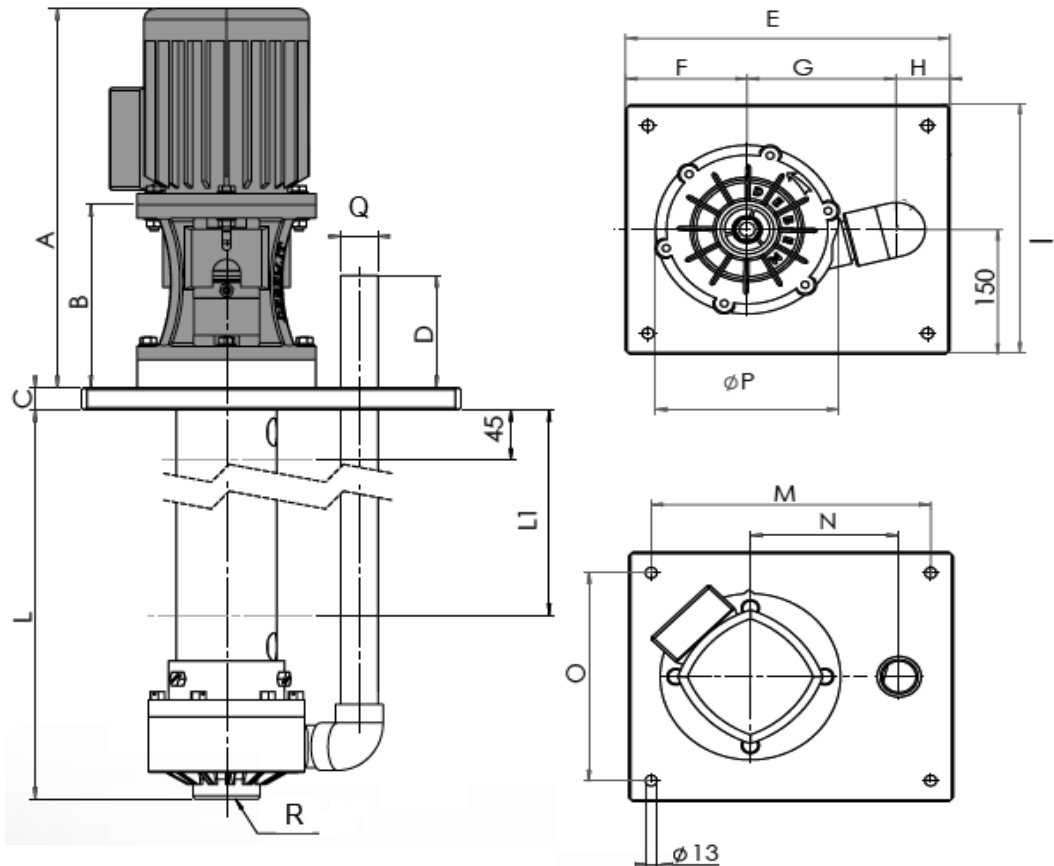


ПРЕДУПРЕЖДЕНИЕ: использование насоса, не соответствующее инструкциям, **ПРЕДУПРЕЖДЕНИЕ** указанным в руководстве по эксплуатации и техническому обслуживанию, не будет соответствовать требованиям к безопасности.

Риски, связанные с использованием насоса в условиях, изложенных в руководстве по эксплуатации и техническому обслуживанию, были проанализированы, в то время как анализ рисков, связанных с установкой на насос других компонентов, должен осуществляться установщиком.

2.2.4 ТЕХНИЧЕСКИЕ ХАРАКТЕРИСТИКИ

Процедуры, связанные с рабочим процессом, относятся к стандартным процедурам. **НОМИНАЛЬНЫЙ расход и МАКСИМАЛЬНЫЕ** верхние величины относятся к перекачиванию воды при температуре 18°C с безнапорным премом и доставкой.



ТИП	A	B	L	C	D	E	F	G	H	I	M	N	O	P	Q	R
ADV 080	340	164	500-800-1000-1250	20	100	340	130	119	91	260	290	119	210	Φ140	1"	1 1/2"
ADV 090	340	164		20	100	340	130	119	91	260	290	119	210	Φ140	1"	1 1/2"
ADV 095	419	210		25	125	360	135	165	60	300	310	165	250	Φ203	1 1/2"	2"
ADV 110	419	210		25	125	360	135	165	60	300	310	165	250	Φ203	1 1/2"	2"
ADV 120	446	220		25	125	360	135	165	60	300	310	165	250	Φ203	1 1/2"	2"
ADV 130	487	220		25	125	360	135	165	60	300	310	165	250	Φ203	1 1/2"	2"
ADV 140	507	235		25	120	360	135	165	60	300	310	165	250	Φ203	1 1/2"	2"
ADV 150	532	233		25	132	480	170	215	95	380	430	215	330	Φ275	2"	2 1/2"
ADV 155	682	303		25	130	480	170	215	95	380	430	215	330	Φ275	2"	2 1/2"
ADV 160	702	303		25	130	480	170	215	95	380	430	215	330	Φ275	2"	2 1/2"
ADV 180	752	303		25	130	480	170	215	95	380	430	215	330	Φ275	2"	2 1/2"

2.3 Хранение



Если насос хранится на складе, убедитесь, что он находится в сухом и защищенном месте; всегда используйте оригинальную упаковку или эквивалентную защиту. Если насос должен храниться в течение длительного периода и/или в особенно сырых условиях, рекомендуется использование гигроскопичного вещества (силикагеля) для предотвращения повреждений.



Не удаляйте защиты фланцев до установки и закройте, если они еще не закрыты, соединения нагнетания и всасывания насоса, чтобы предотвратить попадание внутрь инородных тел.



Имейте в виду, что длительный период хранения насосов может спровоцировать:

- ухудшение изоляции двигателя за счет поглощения влаги
- ухудшение прокладок

2.3.1 ТРАНСПОРТИРОВКА И УСТАНОВКА

Операторы, отвечающие за сборку / демонтаж, должны быть обучены и проинформированы об опасностях, связанных с использованием механических частей, даже самых мелких. При получении товара, убедитесь, что упаковка насоса не повреждена; после чего действуйте следующим образом:

- 1 В соответствии с размером и весом оборудования, установка упаковывается либо в картонную коробку, либо в ящик либо в поддон. Откройте и выбросьте упаковку;
- 2 Обратитесь к руководству по эксплуатации и техническому обслуживанию и следуйте его указаниям;
- 3 Поднимите насос с помощью соответствующего подъемного оборудования, прикрепите подъемные ремни на шпинделе, внимательно избегая попадания вала в зубчатую передачу;
- 4 Проверьте правильность затяжки всех винтов.



ПРИМЕЧАНИЕ: Комплектация насосов ADV может осуществляться или с двигателем, или без него. Если насос укомплектован без двигателя, то, прежде чем приступить к размещению, необходимо собрать двигатель, как описано в главе "СБОРКА ЭЛЕКТРОДВИГАТЕЛЯ".



ПРЕДУПРЕЖДЕНИЕ: Насосы ADV должны быть закреплены в вертикальном положении с помощью кронштейнов, прикрепленных к предоставленной перфорированной плите. Вертикальные, центробежные насосы не самовсасывающие, поэтому они должны быть всегда установлены в достаточно заполненном баке, гарантируя минимальные и максимальные уровни погружения.

6. Разместите насос в совершенно вертикальном положении на месте установки, зафиксируйте его, используя подходящие болты для перфорированной плиты. Убедитесь, что имеется достаточно места для будущих операций по техническому обслуживанию.



ПРЕДУПРЕЖДЕНИЕ: всасывающий патрубок должен быть не менее 100 мм от дна бака, для того, чтобы избежать образование отложений и закупорки. Не устанавливайте фильтры любого типа на всасывающем патрубке.

ВНИМАНИЕ: эксплуатация насосов ADV всухую (при сухом ходе) кроме того, что приводит к повреждению втулки, может привести к чрезмерному износу элементов при горизонтальном трении, что может привести к последующему внутреннему перегреву и возможному возгоранию, поэтому следующие правила должны быть соблюдены:

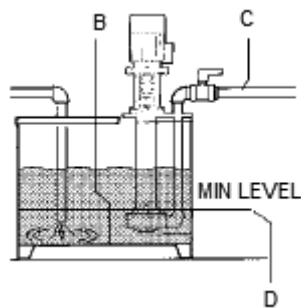
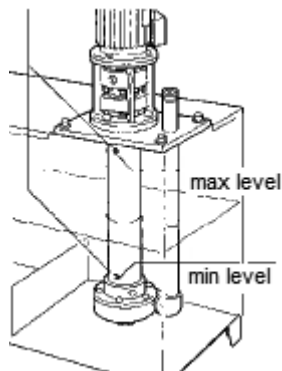
- Насос не самовсасывающий и должен быть всегда установлен и достаточно погружен (см. MIN и MAX уровень в баке);

В - всасывающий патрубок должен быть размещен внутри подходящего водослива и подальше от воронок, турбулентности и / или свободного выпуска в бак;

С - вес подающей трубы не должны отягощать насос;

D - установите устройство регулировки уровня, которое может остановить двигатель, если насос будет находиться в режиме минимального уровня.

Транспортировка и установка теперь завершена.



2.4 Установка



ALPHADYNAMIC Co. не несет ответственность за травмы людей и повреждение вещей, вызванных неправильной установкой насоса или установкой, выполненной неквалифицированным персоналом.

Установите насос в таком положении, которое будет гарантировать его простое использование.

2.5 Гидравлическая система

Насос, в целом, является частью гидравлической системы, которая включает в себя различное число компонентов, таких как, вентили, фитинги, фильтры, компенсаторы, инструменты и т.д. Расположение трубопроводов и положение компонентов имеет большое влияние на обслуживание и на продолжительность работы насоса.



Трубопровод должен надлежащим образом поддерживаться и удерживаться в связке независимо от насоса, пока его не присоединят, так чтобы трубопровод не оказывал нагрузку на насос.



Размеры всасывающего и напорного трубопроводов должны быть, по крайней мере, такого размера, как на входе подключения насоса. Ограничение диаметра всасывающей трубы несет ответственность и является причиной кавитации насоса, создавая потери производительности насоса и быстрый износ. Всегда рекомендуется использование (даже если и на всякий случай) гибких армированных труб, которые в ситуации снижения нагрузки не потеряют устойчивость.



Линия всасывания должна быть чистой и/или содержать фильтр для защиты рабочего колеса от повреждений из-за примесей или других посторонних частиц, особенно при запуске насоса впервые.

Не используйте металлические трубы с пластмассовыми насосами.

Не используйте инструменты для подключения труб к пластиковым насосам. Убедитесь, что все соединения надежно затянуты в противном случае всасывающая способность будет снижена.



Рекомендуется установка соответствующего манометра как на всасывающей, так и на нагнетательной трубе. Установка датчиков позволяет легко контролировать правильное функционирование насоса в соответствии с требуемыми рабочими показаниями. В случае возникновения кавитации или других нарушений, датчики покажут очевидные колебания давления.

²В случае несоблюдения этих предупреждений Сертификация и Гарантия насоса могут быть признаны недействительными.

2.6 Контрольно-управляющая аппаратура

Учитывая важность насосной системы, могло бы быть полезно поддерживать строгий контроль за условиями осуществления процесса. Рекомендовано использование инструментов для контроля давления всасывающего и напорного контура.



С помощью ваттметра возможен даже мониторинг электроэнергии, потребляемой электродвигателем.

Если температура перекачиваемой жидкости является критической, установите в систему термометр, желательно на линии всасывания.

Эти контрольные приборы могут проинформировать об аномальных условиях эксплуатации насосов, таких как: случайно закрытых клапанах, отсутствии жидкости, перегрузках и т.д.

2.7 Соединение двигателя



Убедитесь, что напряжение и частота на этикетке двигателя соответствуют таковым электрической системы, которая будет использоваться.

Не подключайте электродвигатель непосредственно к основной системе, но защитите данную систему с помощью подходящего главного выключателя с адекватной безопасной защитой от перегрузок.

Электрические соединения всегда должны осуществляться опытным квалифицированным электриком.



Двигатели должны быть снабжены трехфазным напряжением или, если это требуется заказчику, монофазным напряжением. Тип подключения трехфазных двигателей может быть Звезда (Y) или Дельта (Δ) в соответствии с источником питания 380 или 220 В переменного тока (см. рисунок 1).

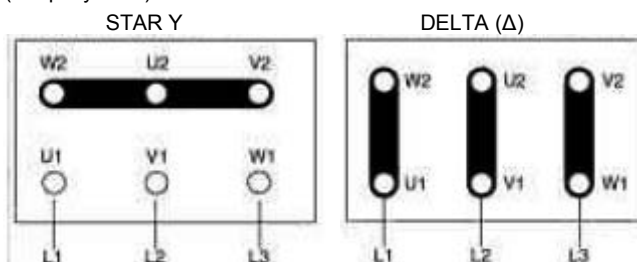


Рисунок 1

Убедитесь, что направление вращения двигателя соответствует тому, что указано на головке насоса и о нем, в конечном итоге, свидетельствует наклейка стрелки на вентиляторе двигателя; чтобы изменить направление вращения, достаточно изменить две из трех входящие линии (например, L1 с L2) в трехфазных двигателях.



Прочитайте следующие инструкции, чтобы изменить направление вращения:

- носите индивидуальные омологированные средства защиты (например, перчатки, очки);
- убедитесь, что условия эксплуатации аналогичны спецификациям насоса (см. пункт 7);
- установите насос в гидравлической системе;
- откройте всасывающий и нагнетательный клапан полностью;
- заполните насос жидкостью. Рекомендуется выполнить этот тест с такой инертной жидкостью, как вода;
- не запускайте насос вхолостую (Примечание: дизайн насосов приводом не позволяют работу всухую, потому что такая работа вызывает повреждения внутренних компонентов насоса);
- запускайте двигатель только на одну или две секунды, чтобы проверить, что направление вращения находится в направлении, указанном стрелкой на головке насоса.

3. ЭКСПЛУАТАЦИЯ

3.1 Использование и техника безопасности

ВНИМАНИЕ:

Опасные или вредные действия могут привести к серьезным травмам или смерти людей либо серьезного повреждения системы, и поэтому очень важно выполнять все предупреждения безопасности и правильного использования, изложенные в настоящем руководстве.



Всегда убеждайтесь, что перекачиваемая жидкость совместима с материалами конструкции насоса. По любым вопросам, пожалуйста, связывайтесь с техническим отделом ALPHADYNAMIC Co.



В случае использования для перекачивания агрессивных, токсичных жидкостей, или жидкостей опасных для здоровья персонала, необходимо установить на насосе адекватную защиту для сдерживания, сбора и предупреждение о любой опасной продукции в случае утечки: например, ОПАСНОСТЬ ЗАГРЯЗНЕНИЯ, ЗАРАЖЕНИЯ, ТРАВМЫ И/ИЛИ СМЕРТИ.



Не уменьшайте всасывание. Уменьшение всасывания причиняет кавитацию насоса, что приводит к потере эффективности и быстрому износу. Снижение выпуска не желательно, если требуется, уменьшение мощности может быть получено посредством клапана, установленного на выпускном патрубке.



Не ослабляйте соединения насоса, пока оно под давлением.

Не эксплуатируйте насос, если есть признаки утечки в системе.

Рабочие температуры должны соответствовать характеристикам строительных материалов насоса:

· 60 °C выполнение полипропилена (ПП)

· 90 °C выполнение PVDF



НЕ ПОЗВОЛЯЙТЕ РАБОТАТЬ НА НАСОСЕ ВСУХОЮ (внимание: насоса приводом не позволяет сухого хода, потому что это может привести к безвозвратному повреждению внутренней части насоса).



Случайный сбой может генерировать разбрызгивания на значительные расстояния.

В случае вибрации или аномальных шумов немедленно остановите насос.

Не перекачивайте воспламеняющиеся жидкости.

Не прикасайтесь к работающему насосу.

Прежде чем дотронуться до двигателя или кронштейна, отключите электрический ток

3.2 Температура

Повышение температуры перекачиваемой жидкости может привести к повреждению насоса и/или трубопровода/арматуры и может создать ситуацию с серьезной опасностью для людей, находящихся поблизости.

Избегайте резкой смены температуры и не превышайте температуру, указанную в вашем заказе. См. значение температур стройматериалов насосов в разделе 3.1

3.3 Перед началом работы

Убедитесь, что насос установлен в соответствии с инструкцией, прилагающейся в предыдущем разделе 2.



Если насосная станция новая, необходимо заполнить систему водой, чтобы проверить, нет ли никаких утечек. **КОГДА НАСОС УСТАНОВЛИВАЕТСЯ В ПЕРВЫЙ РАЗ, ОН ДОЛЖЕН БЫТЬ ЗАПРАВЛЕН, ЭТО ОЗНАЧАЕТ, ЧТО ОН ДОЛЖЕН БЫТЬ ЗАПОЛНЕН ЖИДКОСТЬЮ И ВСАСЫВАЮЩИЙ ТРУБОПРОВОД ДОЛЖЕН БЫТЬ ЗАПОЛНЕН ЖИДКОСТЬЮ ПЕРЕД ЗАПУСКОМ НАСОСА.**



ВНИМАНИЕ: некоторые жидкости вступают в реакцию с водой. **ПРОВЕРЬТЕ, ДЕЙСТВИТЕЛЬНО ЛИ ПЕРЕКАЧИВАЕМАЯ ЖИДКОСТЬ ВСТУПАЕТ В РЕАКЦИЮ С ВОДОЙ. В ТАКОМ СЛУЧАЕ СИСТЕМА ДОЛЖНА БЫТЬ ПОЛНОСТЬЮ ОПУСТОШЕННОЙ И ВЫСУШЕННОЙ.**

3.4 Начало работы

Запустите электродвигатель и постепенно открывайте напорный трубопровод, до тех пор, пока не достигнете необходимого потока.

Насос не может работать более двух-трех минут с закрытым выпускным клапаном. Более длительный период такой работы может привести к серьезным повреждениям насоса.

Если давление, показанное на манометре на выпускном трубопроводе не увеличивается, немедленно остановите насос и аккуратно отпустите давление.

Повторите операцию установки насоса, как указано в пункте 2.

Если во время процесса запуска происходят изменения мощности потока, плотности, температуры или вязкости жидкости, остановите насос и свяжитесь с отделом технического обслуживания ALPHADYNAMIC CO.

3.5 Оптимальные условия для использования

При постоянном использовании на максимальной мощности (максимальной емкости / напоре) может произойти ранний износ насоса. Как правило, мы рекомендуем использовать насос в половину его максимальной вместимости (см. пункт относительно технических данных).



Емкость и напор насоса относятся к перекачиванию воды при комнатной температуре. Если насос качает жидкость с высокой температурой или других вязкости и плотности, мощность должна быть пропорционально уменьшена. Насосы серии ADV работают хорошо с жидкостями, имеющими вязкость до 500 CPS³. **ОДНАКО, ВЯЗКОСТЬ И УДЕЛЬНЫЙ ВЕС ДОЛЖНЫ БЫТЬ ОГОВОРЕНЫ НА МОМЕНТ КОТИРОВКИ.** Электродвигатель выбирается в соответствии с оговоренной вязкостью и удельным весом. В случае более высоких показаний, мощность двигателя может быть недостаточной.

3.6 Прекращение работы

Обычно насос должен быть выключен только после закрытия выпускного клапана. Если всасывающий клапан закрыт раньше другого, может произойти кавитация насоса.

Если система всасывания заполнена водой, закройте клапан после остановки насоса.



В некоторых случаях насос может быть использован для опустошения резервуаров (баков), в таких случаях жидкость может перестать течь в насосе, в то время как он все еще работает. В этих ситуациях насос, работающий без жидкостей (это означает, что всухую) может быть опасно поврежден, если его не остановить немедленно. Для таких применений, рекомендуется использование автоматического оборудования или постоянное присутствие человека, который может отключить насос.

3.7 Период длительного бездействия



Если насос должен оставаться неактивными в течение длительного периода, перед остановкой, рекомендуется, дать потоку воды в системе литься в течение нескольких минут, чтобы избежать любого риска внутренних отложений осадков твердых частиц. Слейте жидкость из насоса. Случайное замерзание жидкости внутри насоса может привести к его повреждению. Всегда проверяйте, или перекачиваемая жидкость не вступает в реакцию с водой. В этом случае свяжитесь с ALPHADYNAMIC Co, чтобы найти альтернативное решение.

Если насос временно отключен от системы и хранятся на складе, необходимо следовать указаниям пункта 2.3 "Хранение".

3.8 Уровень шума

В некоторых случаях, например, когда насос работает с высоким давлением и малой мощностью, шум усиливается и могут беспокоить персонал, работающий в непосредственной близости. В этом случае можно предотвратить это с помощью:



- затычек для ушей;
- защитных омоложенных шапок против шумов для персонала в непосредственной близости;
- звукоизоляционного навеса для насоса. В таких случаях убедитесь, что двигатель гарантировано вентилируется.

³ Указанные значения имеют только ориентировочный характер и могут меняться в серии насосов модели ADV

4. ТЕХНИЧЕСКОЕ ОБСЛУЖИВАНИЕ

4.1 Общие положения



В течение гарантийного срока разборка насоса допускается только персоналом ALPHADYNAMIC Co или персоналом, уполномоченным ALPHADYNAMIC Co. Все операции, описанные в нижеследующих пунктах, должны быть выполнены исключительно квалифицированным персоналом и с соблюдением пошаговых инструкций и предупреждений, изложенных в этом руководстве.



Очистите внешнюю поверхность насосов, используя только антистатическое оборудование. Каждый раз, работая с аппаратом, сначала отключите электроснабжение.

Используйте исключительно грузовой лифт для транспортировки насосов с весом выше 16 кг. Во время движения машины или части машины избегайте столкновения или падения, которые могут привести к повреждению аппарата.



Перед разборкой частей насоса, убедитесь, что опасные внутренние жидкости были удалены/вымыты. **НАСОС ДОЛЖЕН БЫТЬ СЛИТ И ДЕЗАКТИВИРОВАН.**

Обратите внимание, что некоторые внутренние жидкости могут иметь опасные реакции при контакте с водой.

Во время операции разгрузки опасных жидкостей убедиться, что они не представляют опасность для людей или окружающей среды.

4.2 Осмотр

В целом насосы с магнитным приводом не нуждаются в "рутинном" обслуживании и больше всего они не требуют частого демонтажа.

Однако целесообразны периодические осмотры с целью проверки состояния износа рабочего колеса, вала и подшипников, и общего состояния внутренних частей насоса.

Время между осмотрами сильно зависит от условий эксплуатации насоса: характеристики жидкости, температуры, используемых материалов и, очевидно, срока эксплуатации.

Если возникла проблема или насос нуждается в полном осмотре, см. раздел «Решения проблем» и «Разборка насоса».

4.3 ПОДКЛЮЧЕНИЕ РАБОЧЕЙ ЦЕПИ

После того, как установка правильно подключена, далее подключайте насос к рабочей цепи, а именно: **ВНИМАНИЕ: Для подключения насоса использовать только соединения с цилиндрической резьбой для газовых труб, сделанные из материалов, совместимых с перекачиваемой жидкостью и с материалами изготовления насоса. Напр.: насос из РР (полипропилен) = соединения из РР. Проверьте, или соединительные трубки насоса чистые внутри и не содержат никаких рабочих остатков.**

1. Установите полнопроходный шаровой клапан с ручным управлением на подающем коллекторе, с диаметром, равным диаметру соединения у насоса (ни в коем случае не меньше) таким образом, чтобы обеспечить остановку движения жидкости в случае утечек и / или технического обслуживания в будущем.
2. Установите нагнетательный трубопровод на клапан насоса с ручным управлением с помощью жестких трубок, сделанных из того же материала, что и насос.

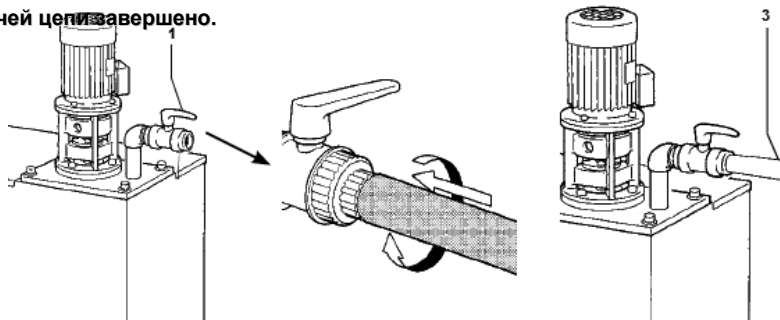
ПРЕДУПРЕЖДЕНИЕ: нагнетательный трубопровод должен быть сделан с использованием жестких труб, изготовленных из материала, который совместим с материалом, из которого изготовлен насос и с перекачиваемой жидкостью. Никогда не используйте трубы, имеющие меньший диаметр, чем соединения насоса.

ПРЕДУПРЕЖДЕНИЕ: трубы необходимо подпирать;
ПОДАЮЩАЯ ТРУБА НЕ ДОЛЖНА ОБРАЗОВЫВАТЬ СИФОНЫ И НИКОГДА НЕ ДОЛЖНА УТЯЖЕЛЯТЬ НАСОС.

3. Обеспечьте соответствующую поддержку для подающей трубы.

ПРЕДУПРЕЖДЕНИЕ: Убедитесь, что используемая жидкость не содержит и не может содержать твердые вещества большого размера или вещества потенциально опасной формы, и что нет никаких ограничений или препятствий для всасывания и / или выпуска из насоса, это позволяет избежать кавитации и деформации электродвигателя.

Подключение рабочей цепи завершено.



4.4 ВВОД В ЭКСПЛУАТАЦИЮ

Установщик / оператор должен всегда использовать материал, совместимый с перекачиваемой жидкостью и учитывать условия проектирования насоса.

ВНИМАНИЕ: Запрещается использовать жидкости, которые несовместимы с материалами компонентов насоса или в среде, где есть несовместимые жидкости.

Чтобы запустить насос, действуйте следующим образом:

1 Убедитесь, что нагнетательный трубопровод подключен.

ПРЕДУПРЕЖДЕНИЕ: сухая работа насосов ADV, помимо повреждения внутренней втулки, приводит к перегреву и сплавке деталей, которые вовлечены в работу горизонтального трения, что впоследствии может привести к пожару.

2. Откройте ручные шаровые клапаны трубопровода для перекачивания жидкости;
3. Залейте продукт в бак, обращая внимание на датчики минимального (MIN) и максимального (MAX) уровня жидкости в насосе;
4. Запустите двигатель под соответствующим контролем;
5. Чтобы остановить насос, прибегайте только к помощи элементов управления остановки электродвигателя насоса.

ВНИМАНИЕ: никогда не останавливайте работу насоса, закрывая шаровые клапаны линии потока жидкости: НАСОС МОЖЕТ ОСТАНОВИТЬСЯ И / ИЛИ МОЖЕТ ПРОИЗОЙТИ ВОЗГОРАНИЕ ИЗ-ЗА ПЛАВКИ КЕРАМИЧЕСКОЙ ВТУЛКИ, ПО ПРИЧИНЕ РАБОТЫ ВСУХУЮ.

ВНИМАНИЕ: убедитесь, что нет постороннего шума от вибрации во время работы насоса. Если он есть, то немедленно остановите насос, проверьте и устраните причину.

ВНИМАНИЕ: убедитесь, что нет никаких пузырьков воздуха в выходящей жидкости. Если они есть, немедленно остановите насос, проверьте и устраните причину.

ВНИМАНИЕ: не устанавливайте фильтры на всасывающем отверстии, поскольку они могут привести к потере давления.

6. После двух часов работы насоса, правильно остановите работу насоса и выполните следующие действия:

- А. проверьте, нет ли утечки продукта через корпус;
- Б. проверьте затяжку всех болтов;
- С. проверьте герметичность нагнетательного трубопровода.

Уровень шума аппарата относится к следующим величинам:

- Уровень звукового давления взвешенной эмиссии A на рабочем месте меньше 75 дБ.

4.5 ГРАФИК СТАНДАРТНОГО ОБСЛУЖИВАНИЯ

Для того, чтобы гарантировать производительность и безопасность использования, насосам ADV нужны стандартные операции по техническому обслуживанию на протяжении всего их жизненного цикла и в соответствии с графиком, указанным в таблице. График работы для текущего ремонта, указанного в таблице, относится к стандартному использованию и стандартным условиям труда, более интенсивные условия труда требуют более частых операций, с интервалами на 30% - 50% короче, чем указано.



ПРЕДУПРЕЖДЕНИЕ: неспособность предпринять и / или произвести стандартное обслуживание и / или произвести его согласно графику, ведет к нулевой гарантии, а также может привести к чрезмерному износу и повреждению внутренних частей насоса и / или двигателя, или даже может привести к аварийной ситуации, за которую изготовитель не несет ответственности.

проверка и / или эксплуатация	каждые 100 часов	каждые 1000 часов	каждые 1500 часов
А) смазка подшипников	•		
Б) техобслуживание рабочей цепи		•	
В) внутренняя чистка насоса		•	
Г) статическая замена уплотнителя		•	
Д) замена кондукторной втулки			•

4.5.1 А СМАЗКА ПОДШИПНИКОВ

Подшипники насоса необходимо периодически смазывать после каждых 100 часов работы следующим образом:

ВНИМАНИЕ: перед началом любых работ с насосом и / или для проведения этой работы по техническому обслуживанию необходимо сначала:

А - остановить двигатель и отсоединить кабель питания, чтобы предотвратить неконтролируемое начало работы насоса;

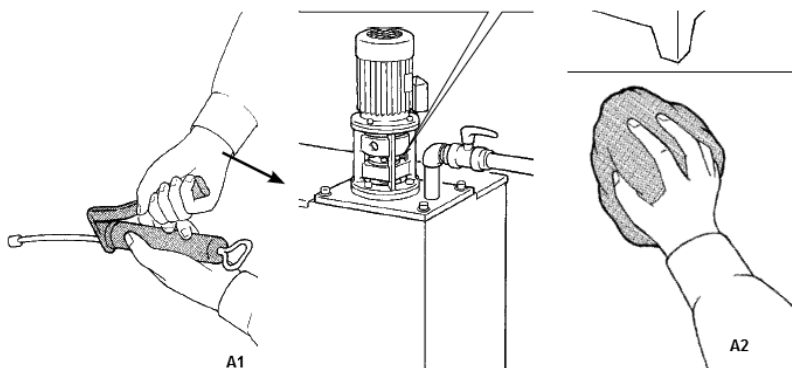
Б - слить перекачиваемую жидкость и закрыть двухпозиционный нагнетательный клапан;

В - надеть специальные средства защиты перед началом работы (маску, перчатки, закрытую обувь, спецодежду и т.д.).

A1 Заполняйте масленку, используя шприц для смазки, не переполняя её.

ПРЕДУПРЕЖДЕНИЕ: осуществляйте смазку с помощью смазки для подшипников.

A2 Вытирайте смазку с вала насоса, используя чистую ткань.



4.5.2 В ТЕХНИЧЕСКОЕ ОБСЛУЖИВАНИЕ СИСТЕМЫ

Техническое обслуживание системы должно осуществляться периодически каждые 1000 часов для того, чтобы проверить отсутствия утечек продукта; действовать необходимо следующим образом:

V1 Убедитесь, что нет утечки продукта из подающей трубки.

V2 Убедитесь визуально, что нет утечки между фланцем и корпусом.

ВНИМАНИЕ: в случае обнаружения любой утечки, перед любой операцией на насосе и / или перед любым техническим обслуживанием и ремонтными операциями, выполняйте следующие действия:

A. слейте перекачиваемый продукт и закройте поставляющий двухпозиционный (впускной-выпускной) клапан;

B. пропустите по циклу подходящую, невозгораемую промывочную жидкость, после чего слейте ее, открыв нагнетательный клапан; остановите двигатель насоса;

C. закройте двухпозиционный (впускной-выпускной) клапан;

D. отсоедините подачу электроэнергии для двигателя насоса для предотвращения неконтролируемых стартов;

E. надевайте соответствующие средства индивидуальной защиты перед любой операцией (маску, перчатки, завязывающуюся обувь, фартуки и т.д.).

ВНИМАНИЕ: Для очистки насоса, используйте только чистую ткань, смоченную соответствующим моющим средством. Перед тем, как выполнять любые внутренние работы с насосом и / или перед проведением технического обслуживания либо ремонтных операций, вы должны:

- Подождать, пока насос остынет в течение, по крайней мере, пятнадцать минут;

- Во время выполнения необходимых операций носить защитные перчатки и любые другие надлежащие средства индивидуальной защиты (маски, перчатки, закрытую обувь и т. д.): Существует опасность возгорания и выброс жидкости под давлением.

В3 Для проведения технического обслуживания и / или внутреннего ремонта, разбирайте насос следующим образом:

В3.1 Отключите трубу, поставляющую жидкость (напорную трубу).

В3.2 Отключите кабель питания от клеммной колодки двигателя.

В3.3 Продолжайте разборку и снимите насос с места установки, с помощью соответствующего подъемного оборудования.

ПРИМЕЧАНИЕ: Для последовательной сборки и разборки насоса, описанной далее, см. соответствующую таблицу запасных частей.

4.5.3 С ОТКРЫВАНИЕ НАСОСА И ВНУТРЕННЯЯ ОЧИСТКА

Эта операция должна выполняться регулярно каждые 1000 часов работы или в случае снижения производительности для того, чтобы проверить состояние насоса и / или заменить рабочее колесо.

Чтобы открыть и очистить насос, выполните следующие действия:

С1 Удалите все патрубки и / или ручные клапаны с напорной трубы;

С2 Снимите винты и наружную крышку корпуса насоса;

С3 Очистите рабочее колесо и / или, если оно повреждено, замените фирменными запасными частями.

ПРИМЕЧАНИЕ: Насосы вплоть до размера ADV140 имеют уплотнительное кольцо в отверстии рабочего колеса. У насосов, размеров ADV150, ADV155 и ADV160 есть тефлоновая шайба заподлицо с керамической втулкой позади колеса.

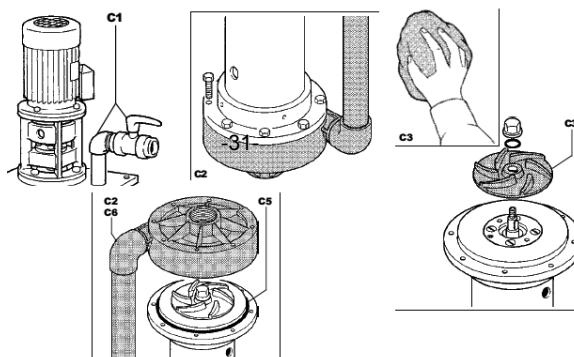
ВНИМАНИЕ: Все уплотнительные кольцевые прокладки должны заменяться каждый раз, когда насос открывают / перебирают: **СУЩЕСТВУЕТ ОПАСНОСТЬ УТЕЧКИ ЖИДКОСТИ**

С4 Очистите поверхность от отложений, найденных в корпусе насоса, внутренних трубопроводах и области за рабочим колесом.

С5 Замените прокладки на оригинальные такого же типа.

С6 Продолжайте сборку, в обратном порядке и закрепите болты на крышке насоса равномерно.

Очистка и / или замена рабочего колеса завершена, и теперь можно снова установить и подключить насос, как описано в предыдущих главах.



4.5.4 D ДЕМОНТАЖ УПЛОТНИТЕЛЯ

Статические уплотнители должны заменяться каждый раз, когда насос разбирают, но в любом случае полная замена должна произойти после 1000 часов работы, и проводится следующим образом:

D1 Разберите насос, как описано в разделе С настоящей главы.

D2 Консультируясь со списком запасных частей, разберите внутренние детали насоса.

D3 Замените все внутренние статические уплотнения оригинальными одного и того же типа.

D4 Снова соберите насос, согласно рисунков в списке запасных частей.

Замена статических уплотнений завершена; чтобы переустановить насос действуйте, как описано в главе "ТРАНСПОРТИРОВКА И УСТАНОВКА".

4.5.5 Е ЗАМЕНА КОНДУКТОРНЫХ ВТУЛОК

Эта стандартная операция по техобслуживанию должна проводиться каждые 1 500 рабочих часов либо для проверки, либо из-за протеканий или утечки через отверстия фланца корпуса.

Для того чтобы разобрать внутреннюю втулку, выполните следующие действия:

ПРЕДУПРЕЖДЕНИЕ: отсутствие технического обслуживания и чрезмерный износ внутренней керамической втулки вызывает внутреннюю вибрацию вала, что может привести к утечке продукта через роторный фланец: **СУЩЕСТВУЕТ ОПАСНОСТЬ ПРОЕКЦИИ ПРОДУКТА**

E1 Разберите насос, как описано в разделе С настоящей главы.

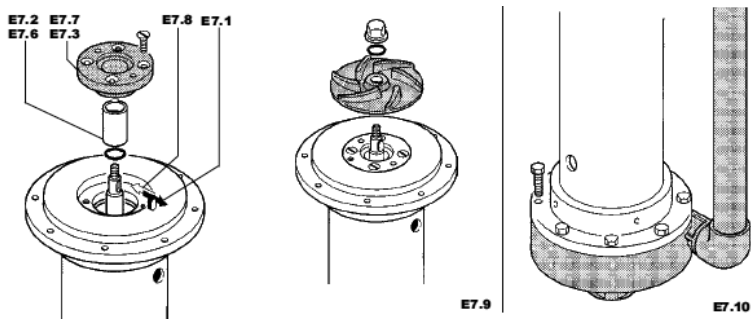
E2 Снимите ручной клапан на подающей трубке насоса.

E3 Снимите винты и вытащите внешнюю оболочку корпуса насоса с подающей трубкой.

E4 Удерживая рабочее колесо неподвижно с помощью специального штыря, ослабьте гайку рабочего колеса.

E5 Вытащите прокладку и рабочее колесо.

E6 Проверьте люфт вала и керамической втулки в их корпусах.



E7 Чтобы заменить втулку, выполните следующие действия:

E7.1 Удалите шпонку рабочего колеса с вала.

E7.2 Извлеките изношенную втулку с вала.

E7.3 Отвинтите винты опорного фланца с изношенной внешней втулкой и снимите его с помощью демонтажных отверстий.

ПРЕДУПРЕЖДЕНИЕ: внутренняя втулка состоит из чрезвычайно точных элементов, изготовленных на керамической основе, усиленной тефлоном, следовательно, они никогда не должны смазываться и / или обрабатываться грязными руками, чтобы избежать непоправимого оголения или повреждения.

E7.4 Надевайте чистые защитные перчатки и очки.

E7.5 Чтобы очистить втулку, используйте чистую ткань, смоченную спиртом.

E7.6 Соберите новую внутреннюю втулку в ее корпусе.

E7.7 Соберите опорный фланец с новой внешней втулкой и прикрутите его соответствующими винтами.

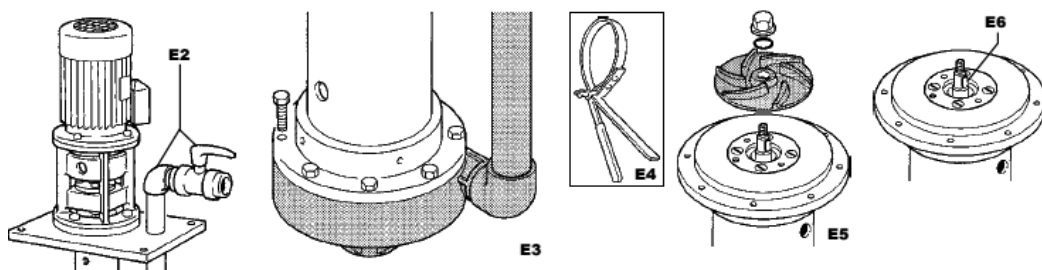
ВНИМАНИЕ: Все прокладки должны заменяться каждый раз, когда насос открывают / или перебирают: СУЩЕСТВУЕТ ОПАСНОСТЬ УТЕЧКИ ПРОДУКТА.

E7.8 Установите шпонку на корпусе вала.

E7.9 Установите переднюю прокладку уплотнительного кольца и гайку и затягивайте ее до тех пор, пока рабочее колесо не защелкнется.

E7.10 Соберите корпус насоса и крепежные винты и равномерно затяните в перекрестной последовательности.

Замена втулки завершена; для дальнейшего установления, действуйте, как описано в главе «ТРАНСПОРТИРОВКА И УСТАНОВКА».



5 . РЕШЕНИЯ ПРОБЛЕМ

ПРОБЛЕМА	ВОЗМОЖНЫЙ ИСТОЧНИК	ПУТЬ РЕШЕНИЯ
1. Насос не запускается	1.1 Сбой питания 1.2 Заклинило рабочее колесо	1.1а Проверить источник и электрическую цепь питания. 1.2а Демонтировать и проверить насос.
2. Насос работает, но не качает	2.1 Повреждение рабочего колеса 2.2 Основные впускные клапаны закрыты 2.3 Клапан заблокирован 2.4 Чрезмерно вязкая дозируемая жидкость 2.5 Частично заблокирован клапан	2.1а Демонтировать насос и проверить рабочее колесо. 2.2а Открыть впускной клапан и проверить подающую трубу. 2.3а Открыть всасывающий клапан и проверить трубу всасывания и состояние фильтров. 2.4а Установить трубы большего размера 2.5а Проверить и почистить
3. Недостаточная производительность насоса	3.1 Чрезмерно вязкая дозируемая жидкость 3.2 Заблокирован впускной клапан 3.3 Заблокировано всасывание 3.4 Повреждение рабочего колеса 3.5 Повреждение корпуса насоса 3.6 Неправильно подключён электродвигатель 3.7 Электродвигатель повреждён	3.1а Отсутствие решения 3.2а Проверить и почистить 3.3а Проверить и почистить 3.4а Заменить пневматический обменник 3.5а Демонтировать и проверить насос. 3.6 Проверить электрическое соединение и мощность напряжения 3.7а Заменить двигатель
4. Вибрация насоса	4.1 Засорение во время всасывания 4.2 Сломан вал насоса 4.3 Рабочее колесо соприкасается с корпусом насоса 4.4 Изношен уплотнитель втулки 4.5 Изношенны подшипники 4.6 Неправильная установка	4.1а Заменить подающую трубу 4.2а Демонтировать насос и двигатель, проверить вал и скорость его вращения. 4.3а Открыть и проверить насос 4.4а Открыть насос, разобрать уплотнитель и посмотреть его состояние 4.5а Открыть насос, разобрать подшипники 4.6а Проверить установку с большей внимательностью
5. Перегревается двигатель	5.1 Чрезмерно вязкая дозируемая жидкость 5.2 Неправильное электроподключение 5.3 Рабочее колесо соприкасается с корпусом насоса или там находится како-то посторонний предмет 5.4 Сломан вал насоса	5.1а Отсутствие решения 5.2а Проверить напряжение и подключение двигателя. 5.3а Открыть и проверить насос 5.4а Демонтировать насос и двигатель, проверить вал и скорость его вращения.

5.1 ВЫВОД ИЗ ЭКСПЛУАТАЦИИ

В случае длительного простоя, выполните следующие действия:

ВНИМАНИЕ: слейте всю жидкость из насоса. Насос нужно хорошо промыть и обработать, пропустив через него невоспламеняющееся жидкое моющее средство, совместимое с материалами, из которых сделан насос: **СУЩЕСТВУЕТ ОПАСНОСТЬ ВОЗГОРАНИЯ, ТРАВМ, РИСКА ДЛЯ ЗДОРОВЬЯ И / ИЛИ СМЕРТИ.**

1. Продолжайте мыть внутри с использованием продуктов, совместимых с перекачиваемой жидкостью;
2. Дождитесь, пока продукт не будет слит из насоса, а затем остановите двигатель и отсоедините электропитание;
3. Закройте нагнетательный клапан насоса.
4. Если насос должен храниться, продолжайте:
 - 4.1 Если насос не работал в течение длительного времени, рекомендуется налить чистую воду в контур на несколько минут, прежде чем снова начать работу, что позволяет избежать отложений;
 - 4.2 Отключите электродвигатель от источника питания;
 - 4.3 Разберите насос, как описано в первом разделе главы на стр. 23 "ТЕХНИЧЕСКОЕ ОБСЛУЖИВАНИЕ СИСТЕМЫ" ;
 - 4.4 Поместите в мотор с пакетики с гигроскопической солью для впитывания влажности и закройте его пластиковым мешком.

ПРЕДУПРЕЖДЕНИЕ: Насос должен храниться в закрытом, хорошо проветриваемом помещении, при температуре от 5 ° и 28 °C и влажности не выше 90%.

5.2 ДЕМОНТАЖ И РАЗБОРКА

Вертикальные, центробежные насосы ADV не производятся с использованием опасных материалов или частей, однако, в конце их срока службы, необходимо, выполнить следующие процедуры:

ВНИМАНИЕ: Слить всю жидкость из насоса. В случае наличия опасных, токсичных и / или вредных продуктов нужно помыть и обработать соответствующим образом. **СУЩЕСТВУЕТ ОПАСНОСТЬ ТРАВМЫ, РИСКА ДЛЯ ЗДОРОВЬЯ И / ИЛИ СМЕРТИ.**

1. Отключите электропитание от двигателя насоса;
2. Снимите насос с места установки;
3. Вымойте и / или обработайте насос внутренне и внешне, в зависимости от перекачиваемого продукта;
4. Разберите компоненты по типу, и в соответствии с составными частями насоса, как указано в табличке.

ВНИМАНИЕ: Для утилизации, пожалуйста, обратитесь к уполномоченным фирмам, ни в коем случае не оставляйте маленькие или большие части в окружающей среде, где они могут вызвать загрязнение, привести к несчастным случаям или причинить прямой / косвенный ущерб.

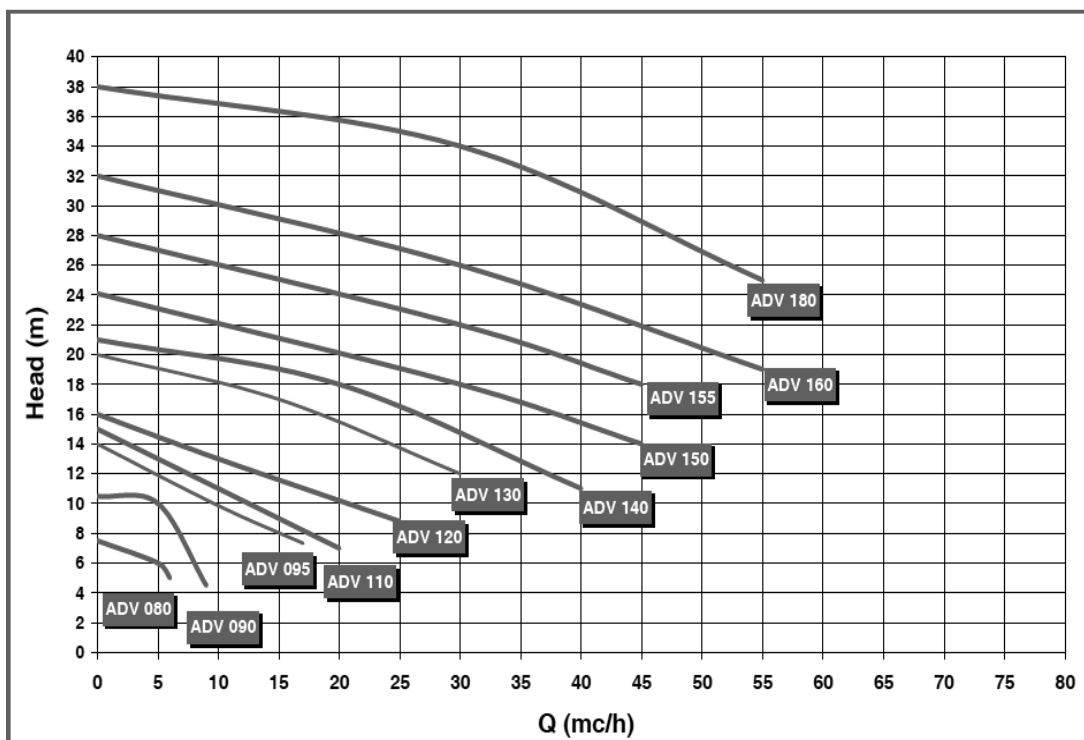
6. ЗАПАСНЫЕ ЧАСТИ

6.1 Как заказать запасные части

Полный набор запасных частей для этих видов насосов доступен. Пожалуйста, свяжитесь с ALPHADYNAMIC Co или с нашими дистрибьюторами. Чтобы получить запасные части, необходимо сообщить модель насоса, размер, материал, серийный номер, год постройки и число-код, относящееся к требуемой запасной части. Все справки записываются непосредственно на этикетке насоса и на чертежном участке насоса. Если у вас нет необходимых чертежей, пожалуйста, свяжитесь с ALPHADYNAMIC Co.

7. ИСХОДНЫЕ ДАННЫЕ

7.1 Рабочие характеристики



8.0 ГАРАНТИЯ

Все продукты ALPHADYNAMIC Co обладают гарантией на период до двенадцати (12) месяцев, начиная с даты поставки товара.

Для того, чтобы гарантийное обслуживание было применимо, клиент должен сообщить о дефекте в письменной форме не позднее чем через 8 (восемь) дней с того момента, когда причинен ущерб, и должен вернуть часть (или части) ALPHADYNAMIC Co для ремонта или замены. Насосы не могут подвергаться ремонту или замене на месте. В случае необходимости гарантийного обслуживания, лучше отправить весь насос вместе с двигателем в ALPHADYNAMIC Co.

Расходы, связанные с доставкой и относительными рисками, а также возможные таможенные пошлины должны быть оплачены заказчиком. ALPHADYNAMIC Co не будет брать на себя затраты за сбор и отгрузку. Изготовитель не несет ответственности за ущерб, причиненный во время перевозки частей насоса или насоса, отправленного в ALPHADYNAMIC Co для осуществления ремонта по гарантии.

Гарантийная система предусматривает, что после тщательного осмотра на нашей фабрике, ALPHADYNAMIC Co должен выбрать, отремонтировать или заменить часть (или части) насоса, который оказался дефективным в материалах или в изготовлении, или в том и другом. Мы не возмещаем затраты на даем кредит за дефектные материалы или за прямые или косвенные убытки, вызванные нашими насосами. В любом случае, любая компенсация не может превышать стоимость насоса или поставляемого материала.

Если перекачиваемая жидкость и необходимые мощности не были оговорены с ALPHADYNAMIC перед поступлением заказа и не были подтверждены в котировке в порядке подтверждения, клиент берет на себя всю ответственность за использование продукта, особенно если продукт не использовался надлежащим образом, то в таком случае ни гарантия, ни подчинение Директиве по Оборудованию 2006/42/CE, ни соответствующая Декларация CE больше не являются действительными. В этом случае клиент является единственным ответственным за внедрение насоса на рынке, для декларирования соответствия Директивы по Оборудованию и знаком CE. В любом случае пользователь считается единственным, кто лучше знает химическую совместимость и реакции между перекачиваемой жидкостью и материалами изготовления насоса, и, следовательно, информация, предоставленная ALPHADYNAMIC в этом отношении, носит сугубо ориентировочный характер.

Если возвращенная деталь больше не покрывается гарантией, или если после исследования ALPHADYNAMIC обнаруживает, что деталь не содержит дефектов, инспекционные сборы взимаются с заказчика и отремонтированная или замененная деталь будет возвращена клиенту за его счет.

Насосы, которые были отремонтированы или заменены по гарантии, будут поставляться на тех же условиях поставки, как и заказ, и гарантия не будет продлена. Гарантия не распространяется на детали, подверженные естественному износу из-за времени, например, механические уплотнения, подшипники, втулки и уплотнения.

Клиент несет полную ответственность за хорошую эксплуатацию насосов и за их тщательный уход. Поэтому никакие претензии не будут приниматься при неправильном обращении с товаром (не хранении в специальном закрытом сухом месте, что необходимо из-за хрупкости материалов), загрязнении, халатном обращении, неправильной установке, неправильной регулировке, неправильном применении. В частности, ALPHADYNAMIC Co не несет никакой ответственности за износ в результате коррозии.

Плановое техническое обслуживание и ремонт, выполненные за пределами уполномоченной сети ALPHADYNAMIC Co, приведет к аннулированию гарантии и Декларации соответствия CE. Гарантия не распространяется на повреждения, из-за чрезвычайных или природных явлений, таких как молния, обледенение, пожар и др.

Все гарантийные обязательства считаются полностью выполненными после ремонта или замены дефектных деталей.

Гарантийное обслуживание будет приостановлено в случае неисполненного или просроченного платежа, и потерянный в таком случае период не может быть восстановлен.

Эта гарантия является неотъемлемой частью предложения и подтверждения заказа. В случае судебного разбирательства суд, который обладает юрисдикцией, находится в Афинах (Греция), а также закон, который будет применяться, является Греческий Закон.

ADV

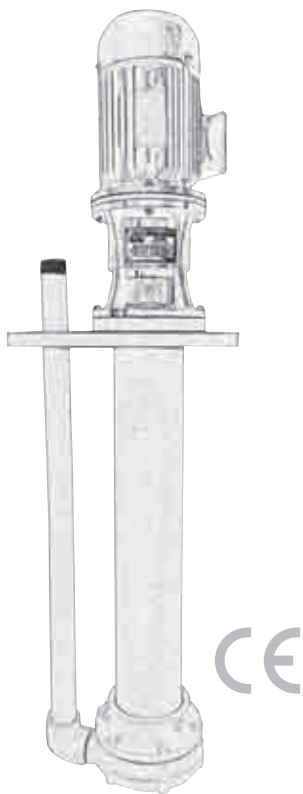
ALPHADYNAMIC PUMPS

Industrial Pumps & Flowmeters

Industrial Park of Kifisia - HELLAS

Vertical Centrifugal Pumps
вертикальные полупогружные насосы

www.alphadynamic.eu



CE

