



# Air Operated Diaphragm Pumps Installation, Operation and Maintenance

## Ruby 180SL-W-XXX



ISO 9001: 2015



No 44 100 17370122

FDA APPROVED



CE MARK



ATEX



TR CU



EUROPEAN COM REGUL  
1935/2004/EC



We Make The Difference

## INDEX

|   |    |
|---|----|
| 1.0 Introduction .....                                | 1  |
| 1.0.1 Pump Identification .....                       | 2  |
| 1.0.2 Markings and general information .....          | 3  |
| 1.0.3 Composition Codes .....                         | 3  |
| 1.1 Warranty.....                                     | 4  |
| 1.2 Transport, unpacking, storage .....               | 5  |
| 1.3 Principle of function.....                        | 5  |
| 1.4 Pump operation .....                              | 6  |
| 1.5 Improper use .....                                | 6  |
| 2.0 Safety Rules .....                                | 7  |
| 2.1 Equipotential bonding / earthing.....             | 11 |
| 3.0 Installation .....                                | 12 |
| 3.1 Connection of air supply line .....               | 13 |
| 3.2 Connection of suction and pressure lines.....     | 14 |
| 3.3 Pump in suction operation.....                    | 14 |
| 3.4 Pump in submerged operation .....                 | 14 |
| 3.5 Connecting to the product circuit.....            | 14 |
| 3.6 Noise emissions (2003/10/EC) .....                | 15 |
| 3.7 Temperature range of the diaphragm material ..... | 16 |
| 3.8 Temperature range of the Housing material .....   | 16 |
| 4.0 Troubleshooting.....                              | 17 |
| 5.0 Technical Data.....                               | 18 |
| 5.1 Dimensional Drawings .....                        | 18 |
| 5.2 Performance .....                                 | 19 |
| 5.3 Exploded View .....                               | 22 |



# Declaration of Conformity

Manufacturer : **AlphaDynamic Pumps SA**

59 Km Nat. Road Athens -Lamia

32011 – Inofita - Greece

Commercial Registry : No: 45001607000

Tel +30 215 215 9520 , +30 215 215 9580



**AlphaDynamic Pumps SA** certifies that RubyShine Air-Operated Double Diaphragm Food Processing Models comply with the European Community Regulation 1935/2004/EC and FDA Requirements for Food Contact Materials.

We hereby declare, that the following pump units comply with the FDA Requirements

**Part numbers:**

A115-7152-T ,A115-7153-T , A115-7163-T , A115-7165-T , A115-7166-T , A115-7168-T  
A115-8152-T ,A115-8153-T , A115-8163-T , A115-8165-T , A115-8166-T , A115-8168-T  
A125-7152-T ,A125-7153-T , A125-7163-T , A125-7165-T , A125-7166-T , A125-7168-T  
A125-8152-T ,A125-8153-T , A125-8163-T , A125-8165-T , A125-8166-T , A125-8168-T  
A140-7152-T ,A140-7153-T , A140-7163-T , A140-7165-T , A140-7166-T , A140-7168-T  
A140-8152-T ,A140-8153-T , A140-8163-T , A140-8165-T , A140-8166-T , A140-8168-T  
A150-7152-T ,A150-7153-T , A150-7163-T , A150-7165-T , A150-7166-T , A150-7168-T  
A150-8152-T ,A150-8153-T , A150-8163-T , A150-8165-T , A150-8166-T , A150-8168-T  
A180-7152-T ,A180-7153-T , A180-7163-T , A180-7165-T , A180-7166-T , A180-7168-T  
A180-8152-T ,A180-8153-T , A180-7163-T , A180-7165-T , A180-7166-T , A180-7168-T

in the version delivered by us, are in compliance with the following applicable regulations:

- FDA CFR Title 21.177 approved materials for food contact
- 1935/2004/EC regulations

Signature of authorized person

Date : 01/12/2023

Printed name of authorized person : Ing . Nikolaos Prodromidis

Title : Technical Manager

# EU Declaration of Conformity

Manufactured By : **ALPHADYNAMIC PUMPS SA.**

3 Eleftherias Str 14564 - Kifisia -Greece  
Tel + 30 215 215 9520 -Fax +30 211 2686837



Type of protection : Constructional Safety 'c'

This declaration applies to all Metallic & Conductive Plastic Ruby Air Operated Double Diaphragm pumps.

ALPHADYNAMIC PUMPS SA declares under our sole responsibility that the product listed below conforms with the relevant provisions of EC directive 2014/34/EU for equipment and protective systems intended for use in potentially explosive atmospheres, and is self certified for safe use in Atex Group II, Category 1 area's.

## 1. RUBY AODD PUMPS

Hazardous Location Applied:

CE  II 2/2 G Ex h IIC T4 Gb

CE  II 2/2 D Ex h IIC T35 Db

- All Metal Pumps Models
- Conductive Plastic Pumps

## 2. RUBY AODD PUMPS

Hazardous Location Applied:

CE  I M2 Ex h Mb

- Metal Pumps Models with no external aluminum components
- Conductive Plastic Pump

➤ See "Safety Information" page for conditions of safe use

In the version delivered by us, is in compliance with the following applicable regulations:

- EC Directive 2014/34/EU Equipment and protective systems intended for use in potentially explosive atmospheres (ATEX)
- EN ISO 80079-36 :2016 Non electrical equipment for use in potentially explosive atmospheres - Basic method and requirements
- EN ISO 80079-37 :2016 Non electrical equipment for explosive atmospheres – No electrical type of protection by constructional safety " c " , control of ignition source " b " , liquid immersion " k "
- EN ISO 80079-38 :2016 Equipment and components in explosive atmospheres in underground mines
- Machinery Safety Directive: 2006/42/EU
- IEC 60079-0 :2018 Explosive atmospheres - Equipment General requirements
- CLC/TR 60079-32-1 :2018 Explosive atmospheres - Electrostatic hazards, guidance

Signature of manufacturer:

Date : 20/10/2022

Information on signatory : Nikolaos Prodromidis

## **ATEX Pumps - Conditions For Safe Use**

1. Ambient temperature range is as specified in page 16.
2. ATEX compliant pumps are suitable for use in explosive atmospheres when the equipment is properly grounded in accordance with local electrical codes
3. Conductive Polypropylene, conductive Acetal or conductive PVDF pumps are not to be installed in applications where the pumps may be subjected to oil, greases and hydraulic liquids.
4. RubyShine 180 3" shall not be installed in applications and areas with hydrogen and acetylene atmosphere.
5. When operating pumps equipped with non-conductive diaphragms that exceed the maximum permissible projected area, as defined in EN ISO 80079-36 : 2016 section 6.7.5 table 8, the following protection methods must be applied:
  - Equipment is always used to transfer electrically conductive fluids or
  - Explosive environment is prevented from entering the internal portions of the pump, i.e. dry running.

### **1.0 Introduction**

Ruby pumps have been manufactured to the 2006/42/EC, 2014/34/EU directives. The relevant area criteria are indicated in the EN-60079-0:2018 , EN-12100:2010 , EN-809:1998+A1:2009 , EN-80079-36:2016, EN-80079-37:2016, EN-80079-38:2016 harmonized European standards. Therefore, if used according to the instructions contained in this manual, the Ruby pumps will not represent any risk to the operator. This manual must be preserved in good condition and/or accompany the machine as reference for maintenance purposes. The manufacturer rejects any liability for any alteration ,modification, incorrect application or operation not complying with the content of this manual and that may cause damage to the health and safety of persons, animals or objects stationing near the pumps. The following instructions solely refer to Ruby Air Operated Diaphragm Pumps. Since the pumps are used in combination with other assemblies, such as solenoid valves, sensors or pulsation dampers, the valid operating instructions for these components and the associated notes on safety must also be taken into account. These instructions contain information on safety, installation, operation, maintenance, repair and environmental waste disposal of the Ruby Air Operated Diaphragm Pump. Thoroughly read these instructions before use and always follow the information contained therein. Persons entrusted with the installation, operation, maintenance or repair of the pump must have read and understood these instructions, especially the chapter on "Health and Safety". This applies in

particular for those who are only occasionally involved in work on the pump, like cleaning or service personnel. Each pump is subjected to stringent inspections and function tests before leaving the factory.

You should always bear in mind that a correct function, a long lifetime and optimal operational reliability of the pump mainly depend on :

- correct installation
- correct commissioning
- and correctly performed maintenance and repair work.
- Enquiries concerning service, spare parts or repairs should be addressed to the manufacturer

Always provide the following information:

- series
- pump size
- serial number of pump
- This information is stamped on the identification plate on top of the pump.


 Danger!

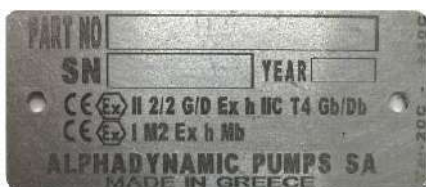
When returning pumps or pump parts to your supplier for repair or general overhaul, the delivery must be accompanied by certificates stating that pumps or pump parts are free of product and other aggressive or hazardous substances.

### 1.0.1 Pump Identification

Each pump has an identification plate carrying its specification details and materials.

Always refer to this data when contacting the manufacturer, dealer or customer service centers.



 **WARNING:** removing or altering this identification plate and or the data it contains is forbidden. Identification code on the plate against the “TYPE” heading specifies the composition and the materials used to build the pump. This data will help ascertain whether the pump is suitable for the product to be pumped.





### 1.0.2 Markings and general information



In compliance with the 2014/34/EU standards, the RubyShine pumps carry the following identification marks:

- EU Directive 2014/34/EU Equipment and protective systems intended for use in potentially explosive atmospheres (ATEX)
- EN ISO 80079-36 :2016 Non electrical equipment for use in potentially explosive atmospheres - Basic method and requirements
- EN ISO 80079-37:2016 Non electrical equipment for explosive atmospheres – No electrical type of protection by constructional safety "c", control of ignition source "b", liquid immersion "k"
- EN ISO 80079-38:2016 Equipment and components in explosive atmospheres in underground mines
- Machinery Safety Directive: 2006/42/EC
- IEC 60079-0 :2018 Explosive atmospheres - Equipment General requirements
- CLC/TR 60079-32-1 :2018 Explosive atmospheres- Electrostatic hazards, guidance

For Zone 1:   II 2/2 G Ex h IIC T4 Gb

  II 2/2 D Ex h IIC T35 Db

For Zone 2:   II 3G Ex h IIB T4 Gc

  II 3G Ex h IIB 135c Dc

### 1.0.3 Composition Codes

#### Ruby Pumps composition codes

| Pump Model    | Pump Body            | Center Block    | Diaphragms                      | Ball seats  | Balls       | Orings  |
|---------------|----------------------|-----------------|---------------------------------|-------------|-------------|---------|
| RubyShine 115 | SL: AISI 316 - 0,8mm | W : PP FDA      | T : PTFE + EPDM<br>Conductive   | S: AISI 316 | T: PTFE     | T: PTFE |
| RubyShine 125 |                      | AP: Aluminum/PP | E : EPDM Conductive             |             | S: AISI 316 |         |
| RubyShine 140 |                      |                 | Z : PTFE A + EPDM<br>Conductive |             |             |         |
| RubyShine 150 |                      |                 |                                 |             |             |         |
| RubyShine 180 |                      |                 |                                 |             |             |         |

## 1.1 Warranty

The correct function of each RubyShine pump is tested in the factory.

However, should any defect appear, please contact the Manufacturer's After-Sales Service, your dealer or the nearest Customer Service Centre where you will receive assistance as quickly as possible. In any case, please provide:

**A- Your complete address B- Pump identification**

**C- Explosion risk protection class**

**D- Anomaly description**

All **RubyShine** pumps are covered by the following warranty:

Five years for any faulty mechanical parts. The warranty period starts from the date of supply.

Any fault or anomaly must be reported to the Manufacturer within eight days.

Warranty repair will be carried out exclusively at the Manufacturer's premises. Transportation charges will be at the client's expense.

Warranty shall not be extended in case of repair or replacement.

Faulty parts must be forwarded to the Manufacturer who reserves the right to test them in this own factory to identify the fault or any external reason that may have caused it. Should the parts be found not faulty, the Manufacturer reserves the right to invoice the total cost of the parts that had been replaced under this warranty.

Costs and transportation risks of faulty, repaired or replaced parts including custom charges will be borne entirely by the client. Repair or replacement of faulty parts cover any obligation under this warranty.

The warranty **DOES NOT** cover any indirect damage and in particular any normal consumable material such as diaphragms, ball seats, balls and others.

The warranty does not cover parts damaged as a consequence of incorrect installation, carelessness, neglect, incorrect maintenance, or damages due to transportation or to any other reason or event that is not directly linked to functional or manufacturing defects.

**The warranty excludes all cases of improper use of the pump or incorrect applications or non-observance of the information contained in this manual.**

**Any controversy falls within the jurisdiction of the Court of Athens.**



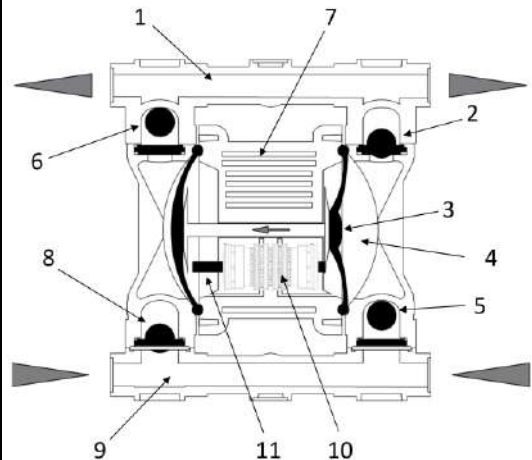
## 1.2 Transport, unpicking, storage

In order to avoid any problems you should check the delivered goods against the delivery note for completeness and correctness. Be careful when unpacking the pump and proceed as follows:

- Check the packaging material for transport damage.
- Take the pump carefully out of the packaging material.
- Check the pump for visual damage.
- Remove the plugs from all pump ports.
- Check seals and fluid lines for damage.
- The following points must be strictly observed when preparing the pump for storage:
- Store the pump in a dry place.
- Thoroughly clean used pumps before storage.
- Do not subject stored pumps to extreme temperature fluctuations.

## 1.3 Principle of function

| No. | Description  |
|-----|--|
| 1.  | Discharge manifold   |
| 2.  | Top valve ball (closed during suction)   |
| 3.  | Diaphragm  |
| 4.  | Pump chamber   |
| 5.  | Bottom valve ball (opened. Medium flows into chamber)  |
| 6.  | Top valve ball (open. Product is pressed out)  |
| 7.  | Center Block (the drive air displaces the medium via the diaphragm and at the same time pulls back the second diaphragm) |
| 8.  | Bottom valve ball (closed during delivery)   |
| 9.  | Suction manifold   |
| 10. | Air control unit   |
| 11. | Air valve drive  |



## 1.4 Pump operation

RubyShine Air Operated Diaphragm Pumps are oscillating positive displacement pumps with two pump chambers arranged opposite each other. Both of these are separated by a diaphragm each into an air and a fluid section.

Both diaphragms are linked by a piston rod, so that with every stroke product is displaced to the outside from the one pump chamber and product is drawn into the opposite pump chamber.

## 1.5 Improper use

Particularly, it is **FORBIDDEN** to use Ruby pumps for :

- production of vacuum;
- operation as an on -off valve, as a non-return valve or as a metering valve
- operation with liquid that is chemically incompatible, with the materials of construction;
- operation with suspended products whose specific weight is higher than the liquid's (for example with water and sand).
- With air pressures, temperatures or product characteristics that do not comply with the pump's technical data.

**⚠ WARNING: since an endless variety of products and chemical compositions exist, the user is presumed to have the best knowledge of their reaction and compatibility with the pump's construction materials. Therefore, before using the pump. all necessary checks and tests must be performed with great care to avoid even the slightest risk, an event that the manufacturer cannot foresee and for which he cannot be held responsible.**

**⚠ WARNING: the user must consider the ratio between the pump's maximum surface temperature indicated on the marking and the minimum ignition temperature of the layers and clouds of powder as shown in the EN1227-1.**

**⚠ WARNING: Use of the pump that does not comply with the instructions indicated in the use and maintenance manual will cancel the safety and explosion protection requirements. The risks associated with use of the pumps under the exact conditions set forth in the use and maintenance manual have been analyzed, whilst the analysis of the risks associated with the interface with other system components must be carried out by the installer**

**The user is responsible for classifying the area of use whilst identification of the equipment category is the responsibility of the manufacturer.**

## 2.0 Safety Rules

Dangerous or hazardous practices or practice not complying with the safety rules and with the recommendations contained herein, may cause serious injuries, material damage and even explosions and /or death for which the manufacturer cannot be held responsible.

**⚠ WARNING: these instructions are essential for the pumps' compliance to the requirements of the 2006/42/EC directive and must therefore be available, known, understood and applied.**

**⚠ WARNING: the personnel in charge of installing, inspecting and servicing the pumps must have suitable technical knowledge and training in matters concerning potentially explosive atmospheres and the related risks**

**⚠ WARNING: use of the pumps in a manner that does not comply with the instructions indicated in the use and maintenance manual will cancel all the requirements for safety and protection against of explosions.**

**⚠ WARNING: before intervening on the pump and/or servicing or repairing it, please- note that you must:**

**A - Discharge any product that was being pumped**

**B - Wash it internally using a suitable non-flammable fluid, then drain.**

**C - Cut-off the air supply using the relevant valve and make sure that no residual pressure remains inside it. D - Close all on-off valves {delivery and intake sides) relative to the product.**

**E - Disconnect the network air supply;**

**F - Wear suitable individual protection before any maintenance or repair (goggles / face protection, gloves, closed shoes, aprons and others).**

**⚠ WARNING: before using the pump, make sure that the fluid to be pumped is compatible with the explosion protection class and with construction materials of the pump.**

### **DANGER OF CORROSION, PRODUCT SPILLS AND/ OR EXPLOSIONS CAUSED BY CHEMICAL REACTIONS**

For installation and use in a potentially explosive environment, comply with these general precautions

- ascertain that the pump is full and if possible, that the level is above it by 0.5 m;
- ascertain that the fluid treated does not contain or cannot contain large solids or solids of a dangerous shape.
- ensure that the intake or delivery ports are not obstructed nor limited to avoid cavitation or pneumatic motor strain.

- also ascertain that the connection piping is strong enough and cannot be deformed by the pump weight or by the intake. Also check that the pump is not burdened by the weight of the piping.
- If the pump is to stay in disuse for a long period of time, clean it carefully by running a non-flammable liquid detergent through it that is compatible with the pump's construction materials.
- if the pump was turned off for a long period of time, circulate clean water in it for some minutes to avoid incrustations.
- before starting, after long periods of disuse, clean the Internal and external surfaces with a damp cloth;
- check the grounding;
- always protect the pump against possible collisions caused by moving objects or by various blunt materials that may damage it or react with its materials;
- protect the pump's surrounding ambient from splashes caused by accidental pump failure;
- if the diaphragms are completely torn, the fluid may enter the air circuit, damaging it, and be discharged from the exhaust port. It is therefore necessary for the exhaust port to be conveyed by pipes to a safe area.

**⚠ WARNING: the air supply pressure must never be over 8 bar or below 2 bar.**

**⚠ WARNING: when using the pump with aggressive or toxic liquids or with liquids that may represent a health hazard you must install suitable protection on the pump to contain, collect and signal any spills: DANGER OF POLLUTION, CONTAMINATION, INJURIES AND/OR DEATH.**

**⚠ WARNING: the pump must not be used with fluids that are not compatible with its construction materials or in a place containing incompatible fluids.**

**⚠ WARNING: installing the pumps without on-off valves on the intake and delivery sides to intercept the product in case of spillage is forbidden: danger of uncontrolled product spillage.**

**⚠ WARNING: installing the pumps without on-off, three way or check valves on the air supply piping to prevent the pumped liquid from entering the pneumatic circuit if the diaphragms are broken is forbidden: danger of fluid entering the compressed air circuit and being discharged into the environment.**

**⚠ WARNING: Should the user think that the temperature limits set forth in this manual may be exceeded during service, a protective device must be installed on the system to prevent the maximum allowed process temperature from being reached.**

**If exceeded, respect of the maximum temperature marked cannot be guaranteed.**

**⚠ WARNING:** The pumps must always be grounded irrespective of any organ to which they are connected. Lack of grounding or incorrect grounding will cancel the requirements for safety and protection against the risk of explosion.

**⚠ WARNING:** the use of pumps made with non-conductive material, which become charged with static, and without suitable grounding for flammable liquids is forbidden: **RISK OF EXPLOSIONS DUE TO STATIC CHARGE.**

**⚠ WARNING:** Aggressive, toxic or dangerous liquids may cause serious injuries or damage to health, therefore it is forbidden to return a pump containing such products to the manufacturer or to a service center. You must empty the internal circuits from the product first and wash and treat it.

**⚠ WARNING:** Pumps containing aluminum parts or components coming into contact with the product cannot be used to pump.

Ill-trichloroethane, methylene chloride or solvents based on other halogenated hydrocarbons:  
**DANGER OF AN EXPLOSION CAUSED BY A CHEMICAL REACTION.**

**⚠ WARNING:** Conductive Polypropylene, conductive PVDF pumps are not to be installed in applications where the pumps may be subjected to oil, greases and hydraulic liquids.

**⚠ WARNING:** The components of the pneumatic exchanger, including the shaft are made from materials that are not specifically resistant to chemical products, if the diaphragm should break, replace these elements completely if they have come into contact with the product.

**⚠ WARNING:** The air-driven motor of the Ruby pumps is self-lubricating and will not require any greasing. Therefore a void using lubricated and non- dried air.

**⚠ WARNING:** ascertain that during service no anomalous noise appears. In that case, stop the pump immediately.

**WARNING:** ascertain that the fluid at the delivery side does not contain gas. Otherwise stop the pump immediately.

**⚠ WARNING: Periodic controls must be made to ensure that there is no powder and/or deposits on the external and internal.**

**surfaces of the pump and, if necessary, they must be cleaned with a damp cloth**

**⚠ WARNING: removal of the silencer and the air supply fitting must be done when free from powder. Before restarting the pump, ensure that no powder has entered the pneumatic distributor.**

**To replace worn parts, use only original spare parts.**

**Failure to comply with the above may give rise to risks for the operator, the technicians, the persons, the pump and/or the environment that cannot be ascribed to the manufacturer.**

**⚠ WARNING: diaphragm pumps with negative suction are affected by the following factors:**

**-viscosity and specific weight of the fluid;**

**-suction diameter and length.**

**Position the pump as close as possible to the point of collection {within 2.5 m.} and in any case never more than 5 m. The diameter of the intake pipe must never be smaller than the connection of the pump, but must be increased as the distance increases. Fluid to be pumped with negative suction must never exceed a viscosity of 5.000 cps at 20° C and a specific weight of 1.4 Kg/l. These elements can cause derating and reduce the duration of the diaphragm: DANGER OF PREMATURE BREAKAGE.**

## 2.1 Equipotential bonding / earthing

In principle, pumps and accessories must be earthed or provided with equipotential bonding if there is the possibility of product specific electro-static charging and when used in potentially explosive areas. Pumps and pulsation dampers with ATEX II 2/2 G Ex h IIC T4 Gb – II 2/2 D Ex h IIC T35 Db approval are therefore fitted with an earthing screw.

### **Please Pay attention**

#### **For Zone 1**

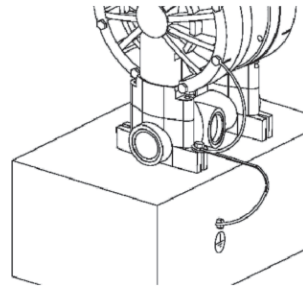
- Aluminum in combination with stainless steel (greater or equal 16,5% Cr) is only be used if the steel cannot corrode and no iron oxide and/or rusty particles can be deposited on the surface. (appropriate reference to the properties of the stainless steel shall be given in the technical documentation and instruction for use.

- For Pumps with diaphragm type TFM:

1. Not run empty with flammable fluid/gas.
2. Flush before

#### **For Zone 2**

1. Not run empty with flammable fluid / gas.
2. Flush before



**⚠ WARNING: the use of pumps made with non-conductive material, which become charged with static, and without suitable grounding for flammable liquids is forbidden:**

**RISK OF EXPLOSIONS DUE TO STATIC CHARGE**

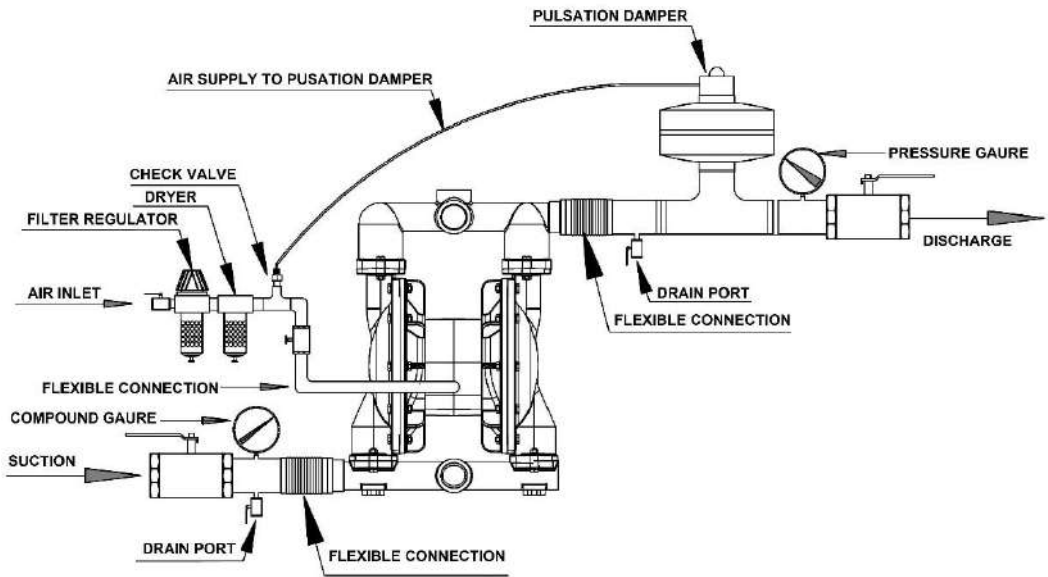
### 3.0 Installation

#### **To be observed before installation**

1. The installation must only be carried out by persons who have the necessary skills for this work.
2. Before installation align the pump correctly and fasten it without any tension. Pipelines must be assembled in a way that the basic weight of the lines is not resting on the pump.
3. In order to avoid damage to the pump new installations should generally be checked for any debris (welding beads, pieces of wire, etc.) in tank and pipeline system.
4. Consider the arrangement of the pump with respect to suction and discharge heads.
5. The pump system must be designed according to the requirements of the application. Valves or spools must be installed as close as possible to pressure port. This also applies for T-fittings with valve for bypass control or pressure relief valves, pressure gauges, flow control valves and shut-off valves.
6. Thoroughly examine the alignment of the pump with the pipelines, in order to avoid strain and premature wear.
7. Check all pipelines for leaks. This applies in particular for the suction line, in order to avoid the intake of air.
8. If the fluid to be pumped contains solid particles bigger than specified, a filter must be installed. The filter must be of such a size, that the change in resistance at the pump inlet port is only minor. This filter must be permanently monitored and, if necessary, cleaned.
9. Fluids which change their viscosity must be permanently agitated, or the tank must be fitted with a temperature sensor. With increasing viscosity start the agitator and/or the heating. This is of special importance for intermittent operation!

**Note: It is recommended to install flexible, shape and pressure resistant hoses or compensators at the suction and pressure ports of the pump. This will prevent the transfer of pulsation shocks into the pump.**





### 3.1 Connection of air supply line

We recommend to supply the air through a hose to the pump. Using moisturized compressed air requires the installation of a service unit with water separator. This control equipment can additionally be used to regulate the flow capacity of the pump. The diaphragm must not be subjected to shock loads. For this reason we recommend the installation of a spool, diaphragm or needle valve as shut-off element.

**⚠ WARNING: pneumatic supply to the Ruby pumps must be made using FILTERED. DRIED. NON LUBRICATED OIL FREE AIR at a pressure of not less than 2 bars and not more than 8 bars.**

**⚠ WARNING: do not remove RESET for any reason and/or do not connect the air supply to the RESET channel Warning! Do not use a ball valve as shut-off element.**

**Note: Especially for plastic pumps or pumps with PTFE diaphragms it is highly recommended to install a slow start valve in the supply line to the pump. This valve protects both the diaphragm and housing parts against suddenly occurring pressure shocks.**

### 3.2 Connection of suction and pressure lines

Suction and pressure lines must be installed in a way that no additional loads are applied to the pump ports.

The tightening torque of the mounting screws and the pressure strength of the sockets and flanges must be observed with the installation of the suction and pressure lines. After assembly check the system for leaks.

### 3.3 Pump in suction operation

RubyShine Air Operated Diaphragm Pumps are dry self-priming. Depending on the pump design a suction head of max. 9 mwc can be reached, when the suction line is filled.


### 3.4 Pump in submerged operation

The RubyShine Air Operated Diaphragm Pumps are suitable for submerged operation. However, it must be assured that the surrounding fluid will not attack the pump.

When installing the pump make sure that the air discharge muffler has been removed and the exhaust air is discharged from the fluid through a hose.

### 3.5 Connecting to the product circuit

After positioning the pump you can now connect it to the product circuit as follows:

 **WARNING: only fittings with cylindrical gas threads in materials compatible with both the fluid to be pumped and the pump's construction materials must be used.**

**For example:**

**Pump made from PP - PP fitting.**

**Stainless steel pump = stainless steel fitting.**

1. On the suction and discharge manifold install a manual valve of the same diameter as the pump inlet (never smaller) to intercept the fluid correctly in case of spills and / or when servicing the pump.

2. Install the sleeves to secure the flexible hoses on both valves.

**⚠ WARNING: the pump must be connected with FLEXIBLE HOSES REINFORCED WITH A RIGID SPIRAL of a diameter never smaller than the pump's connection. The filters or other equipment installed at the intake side must be suitably dimensioned in order to avoid pressure drops. For negative installations and/or viscous fluids, use hoses with an OVERSIZE DIAMETER, especially on the intake side. Connections using rigid pipes may cause strong vibrations and break the manifolds.**

3. Connect the product intake and delivery hoses to their respective fittings whilst taking into consideration the signs on the pump:

IN" = INTAKE (down) and

OUT" = DELIVERY (up)

or according to that indicated by the arrows.

4. Secure the hoses using the relevant clamps

**⚠ WARNING: Provide appropriate support for the piping. THE PIPING MUST BE STRONG ENOUGH TO AVOID DEFORMATION DURING THE SUCTION PHASE AND MUST NEVER WEIGH DOWN ON THE PUMP IN ANY WAY OR VICE VERSA.**

5. If used for drum suction (not below head), the submersed end of the intake hose must be provided with a diagonally cut fixing to prevent it from adhering to the drum bottom.

**⚠ WARNING: Ascertain that the fluid treated does not contain or cannot contain large solids or solids of a dangerous shape and that the intake or delivery ports are not obstructed nor limited to avoid either cavitation or pneumatic motor strain.**

Connection off the product circuit finishes here.

### 3.6 Noise emissions (2003/10/EC)

In a room with several pumps you may experience an extreme development of noise . Depending on the sound pressure level the following measures must therefore be applied:

Below 70 dB (A) : No special measures required

Above 70 dB (A) : Persons who are permanently in the room must wear ear defenders.

Above 85 dB (A) : Room with dangerous noise level.! Each door must have a clearly noticeable warning sign to warn persons from entering the room without ear defenders.

### 3.7 Temperature range of the diaphragm material

|                                      |                 |
|--------------------------------------|-----------------|
| TFM Compound Diaphragm               | -10° C - 130° C |
| NBR Conductive Diaphragm             | -10° C - 100° C |
| TFM Full capacity Compound Diaphragm | -10° C - 130° C |
| EPDM Conductive Diaphragm            | -10° C - 100° C |
| VITON Conductive diaphragm           | -40° C - 170° C |

### 3.8 Temperature range of the Housing material

|                 |                 |
|-----------------|-----------------|
| Stainless steel | -25° C - 130° C |
| Aluminium       | -10° C - 130° C |
| Polypropylene   | 0° C - 60° C    |
| PVDF + CF       | -10° C - 120° C |

## 4.0 Troubleshooting

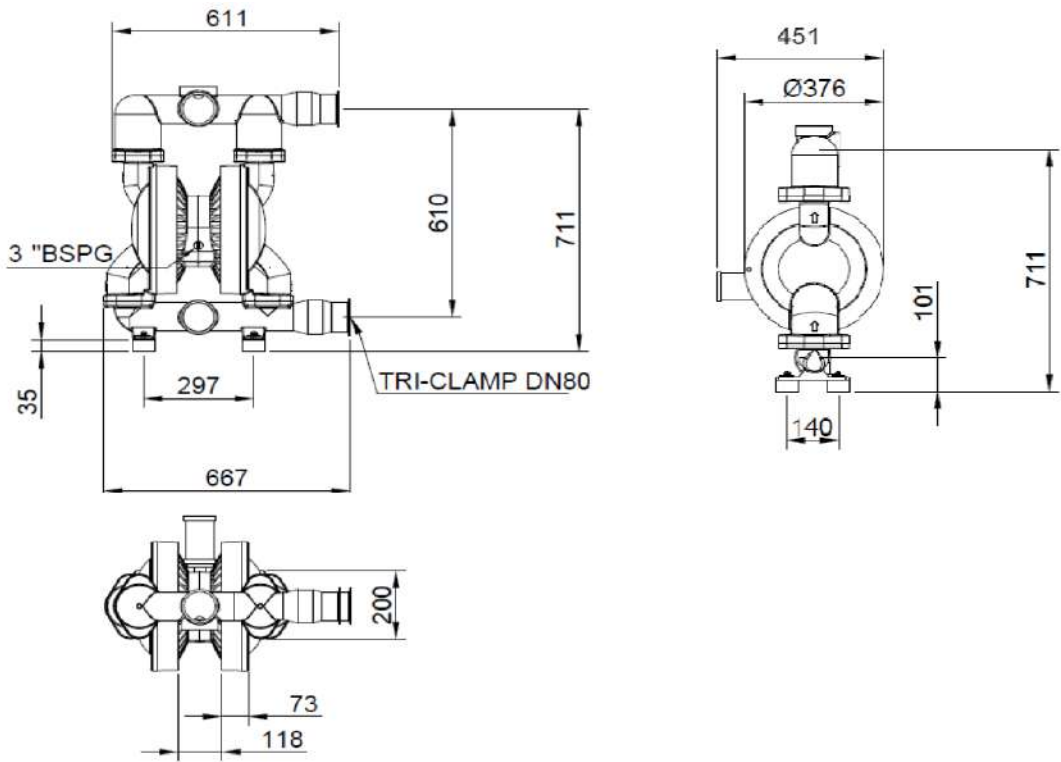
The following instructions are intended exclusively for authorized skilled maintenance engineers. In event of abnormal behavior and in order to fix faults, please refer to the following troubleshooting instructions.

**⚠ WARNING: For more serious problems, we strongly recommend that you contact the ALPHADYNAMIC PUMPS SA: our engineers will provide you assistance as quickly as possible.**

| Fault                                   | Possible cause  | Remedy  |
|---|---|---|
| Pump running, no delivery               | Pump draws in air<br>Suction valve closed<br>Suction capacity exceeded<br>Valve ball and seat on suction side worn  | Seal the suction line<br>Open valves<br>Change the arrangement<br>Replace seats and balls |
| Insufficient pumping capacity           | Muffler clogged<br>Air inlet filter clogged<br>Insufficient air supply<br>Pipelines blocked<br>Viscosity too high   | Clean or renew<br>Clean or renew<br>Check supply line<br>Clean<br>Change conditions       |
| Pump slows down, stops, restarts        | Icing of the control valve  | Use dry air. Supply the air with anti-freeze  |
| Reduced flow, stronger pulsation        | Valve ball on suction side blocked  | Ensure movability of valve ball   |
| Product from muffler                    | Diaphragm cracked   | Replace diaphragm   |
| Air in product                          | Diaphragm cracked   | Replace diaphragm   |
| Pump does not work despite air supply   | Muffle clogged<br>Air inlet filter clogged<br>Valve balls sticking to valve seat                                    | Clean or renew<br>Clean or renew<br>Loosen, use PTFE balls instead                        |
| Valve balls deformed                    | Chemical attack<br>Mechanical attack  | Change material<br>Change material  |
| PTFE diaphragm cracked after short time | Large solids in product<br>Compressed air opened with a shock   | Install a filter<br>Install a slow start valve  |
| Insufficient suction head               | Valve ball and seat leaking<br>Pump completely dry  | Replace<br>Fill suction line  |
| Pump very loud, crackling noise         | Control valve worn<br>Excessive feed on the suction side  | Replace<br>Install heavier valve balls<br>Throttling of suction line                      |
| Air valve Piston hard movig             | Compressed air too dry (Instrument air)<br>Temperature too high<br>Compressed air dirty<br>Air valve piston damaged | Lubricate the air<br>Cool down<br>Install a filter<br>Replace                             |
| After filling the line pump stand still | Air pressure too low<br>Viscosity too high  | Increase air pressure   |

## 5.0 Technical Data

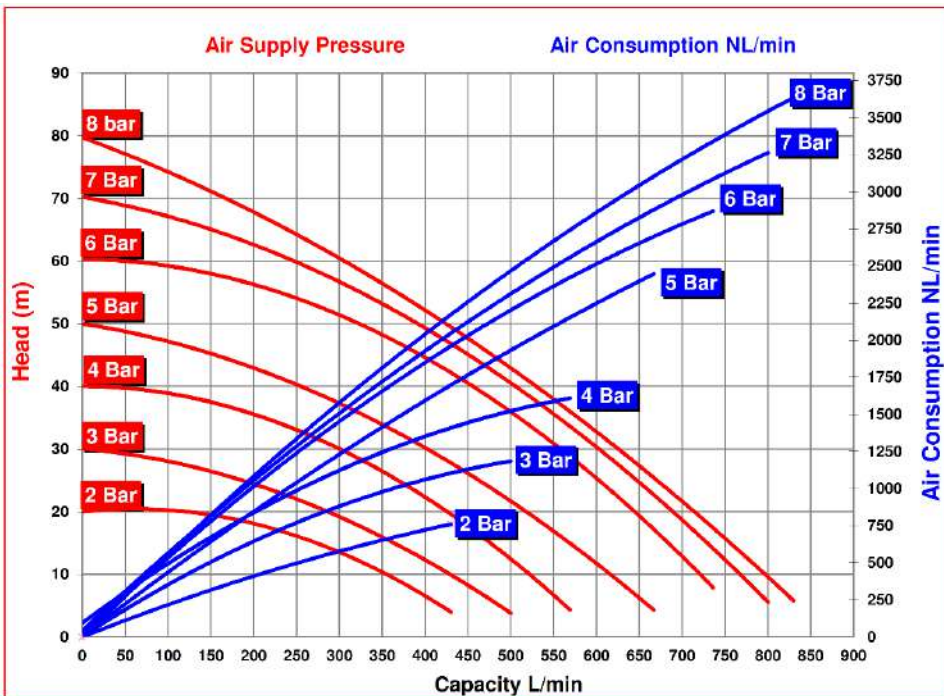
### 5.1 Dimensional Drawings



## 5.2 Performance

### RubyShine 180 AISI 316 Pump

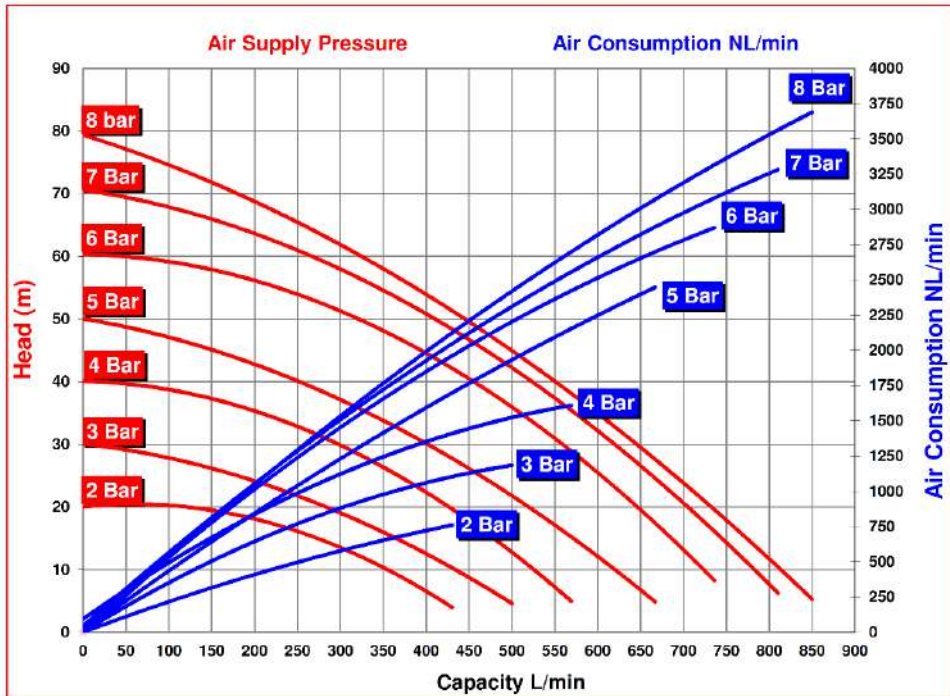
| PTFE A Full Capacity Diaphragm Fitted |           |
|---------------------------------------|-----------|
| Flow. Rate                            | 830 L/min |
| Air inlet                             | 3/4"      |
| Suction – Discharge port              | 3" BSP G  |
| Suction lift (dry)                    | 5m        |
| Max. Solid size ( diameter)           | 8mm       |



\* The curves and performance values refer to pumps with submerged suction and a free delivery outlet with water at 20°C, and vary according to the construction material.

## RubyShine 180 AISI 316 Pump

| NBR-EPDM-VITON Diaphragm Fitted |           |
|---------------------------------|-----------|
| Flow. Rate                      | 850 L/min |
| Air inlet                       | 3/4"      |
| Suction – Discharge port        | 3" BSP G  |
| Suction lift (dry)              | 5m        |
| Max. Solid size ( diameter)     | 8mm       |

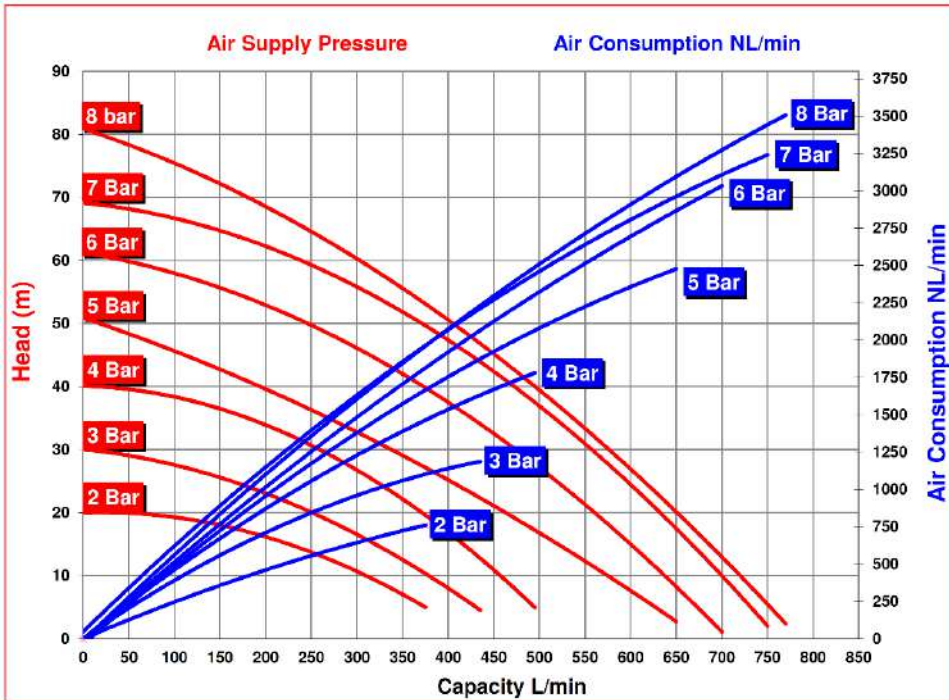


\* The curves and performance values refer to pumps with submerged suction and a free delivery outlet with water at 20°C, and vary according to the construction material.



## RubyShine 180 AISI 316 Pump

| PTFE Diaphragm Fitted       |           |
|-----------------------------|-----------|
| Flow. Rate                  | 770 L/min |
| Air inlet                   | 3/4"      |
| Suction – Discharge port    | 3" BSP G  |
| Suction lift (dry)          | 5m        |
| Max. Solid size ( diameter) | 8mm       |

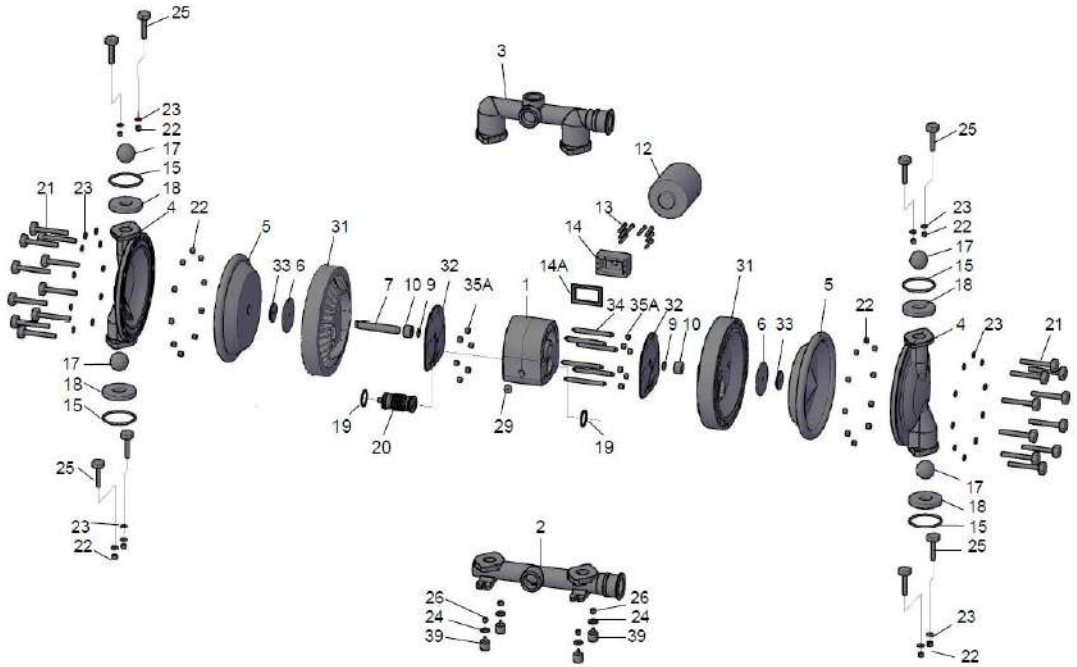


\* The curves and performance values refer to pumps with submerged suction and a free delivery outlet with water at 20°C, and vary according to the construction material.

### 5.3 Exploded View



Spare Part List Drawing Ruby Shine 180



| Pos | Description        | Req. Qty |
|-----|--------------------|----------|
| 1   | CENTRAL BLOCK      | 1        |
| 2   | SUCTION MANIFOLD   | 1        |
| 3   | DISCHARGE MANIFOLD | 1        |
| 4   | PUMP HOUSING       | 2        |
| 5   | DIAPHRAGMS         | 2        |
| 6   | PISTON INNER       | 2        |
| 7   | SHAFT              | 1        |
| 9   | O-RING BEARING     | 2        |
| 10  | SHAFT BEARING      | 2        |
| 12  | SILENCER           | 1        |
| 13  | AIR EXHAUST SCREW  | 8        |
| 14  | AIR EXHAUST COVER  | 1        |
| 14A | ORING SILENCER     | 1        |
| 15  | VALVE SEAT ORING   | 4        |
| 17  | VALVE BALL         | 4        |

| Pos | Description                      | Req. Qty |
|-----|----------------------------------|----------|
| 18  | BALL SEAT                        | 4        |
| 19  | RETAINING RING AIR VALVE         | 2        |
| 20  | AIR CONTROL VALVE                | 1        |
| 21  | HOUSING PUMP SCREW               | 20       |
| 22  | BOLT                             | 28       |
| 23  | WASHER                           | 28       |
| 24  | WASHER FOOT                      | 4        |
| 25  | SUCTION-DISCHARGE MANIFOLD SCREW | 8        |
| 26  | BOLT FOOT                        | 4        |
| 31  | AIR CHAMBER                      | 2        |
| 32  | FLANGE                           | 2        |
| 33  | SPACER                           | 2        |
| 34  | CENTRAL BLOCK SCREW              | 6        |
| 35A | BOLT                             | 6        |
| 39  | PUMP FOOT                        | 4        |



ALPHADYNAMIC PUMPS

[www.alphadynamic.eu](http://www.alphadynamic.eu)



*We Make The Difference*