

The ADV 110 vertical centrifugal pump are high-performance pump for fixed installations with pump immersed directly in the tank and operated by a direct-drive electric motor (max 3000 rpm) for fast fluid drainage.



**EAC CE**

## Technical data

Construction Materials	PP - PVDF
Max. Capacity	20 m <sup>3</sup> /h
Max Head	15 m
Max Temperature	PP 60C - PVDF90C
Max Viscosity	500 cPs
Max.diameter of passing solids	6 mm
Intake / delivery connections	2" M x 1 1/2 " M - DN50X DN40 on request
Motor	1.5 HP 380V3/50Hz / 2800 rpm

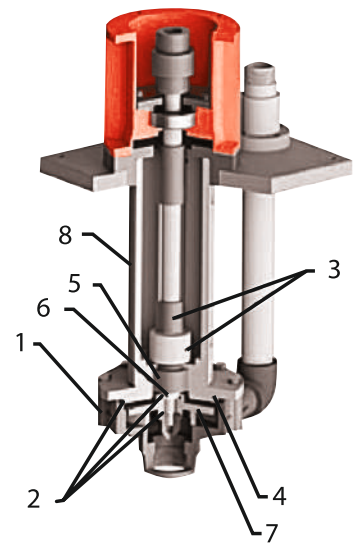
## Description

Vertical centrifugal pump with bracket ADV 110 is made of thermoplastic materials (PP and PVDF) and are suitable to pump high corrosive liquids with solids. Pump series ADV are available with different column lengths from 500 mm to 2000 mm.

The open impeller allows pumping even with very dirty liquids having viscosity of up to 500 cps (at 20°C) and small suspended solids.

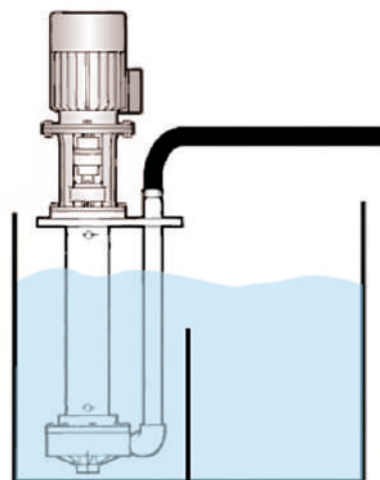
ADV 110 vertical centrifugal pump consists of a solid pump casing and a column fitted to the base plate supporting the lantern that in turn supports the electric motor. The direct-drive motor is connected by a flexible coupling on the pump shaft. The open impeller is fitted to the other end of the shaft that is supported by a radial bearing. This pump's special design allows the motor to be stripped without the need to disconnect the pump from the system

POS	DESCRIPTION	MATERIAL
1	PUMP HEAD	PP or PVDF
2	O-RING	EPDM or VITON
3	SHAFT COVERING GUIDE	PP or PVDF
4	COVER	PP or PVDF
5	BUSHING	PTFEC
6	WEAR BUSHING	A1 <sub>2</sub> O <sub>3</sub>
7	IMPELLER	PP or PVDF
8	COLUMN	PP or PVDF



## Installation

ADV Vertical centrifugal pumps should only be installed with the shaft positioned vertically and the pump immersed in the tank. Suitable devices should be fitted to avoid dry running and /or the formation of a vortex and possible air suction. These pumps should only operate whilst filled. Running dry or with air bubbles can cause damage to the internal bushing



## Application sectors

Chemical Industry, Galvanic & electronic Industry,  
Water Treatment Industry



CHEMICAL INDUSTRY

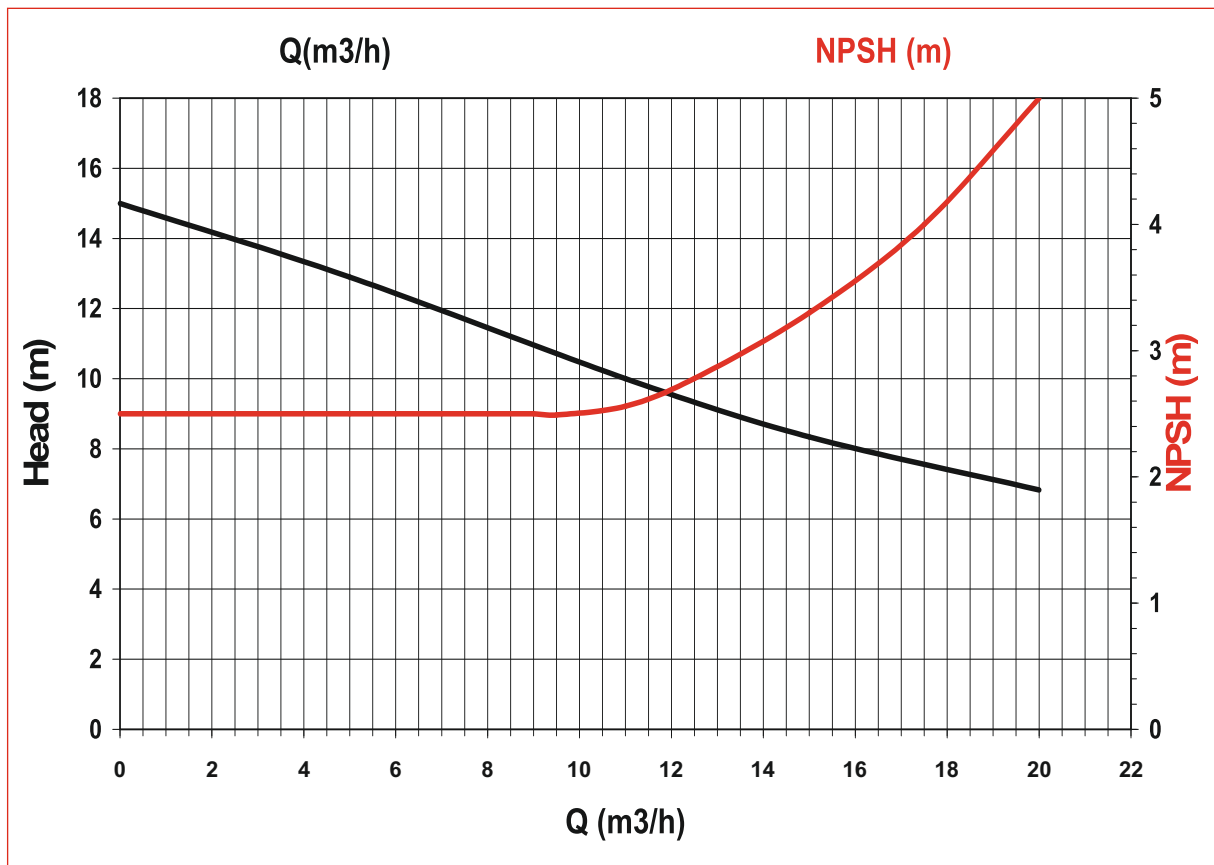


WATER AND SLUDGE TREATMENT



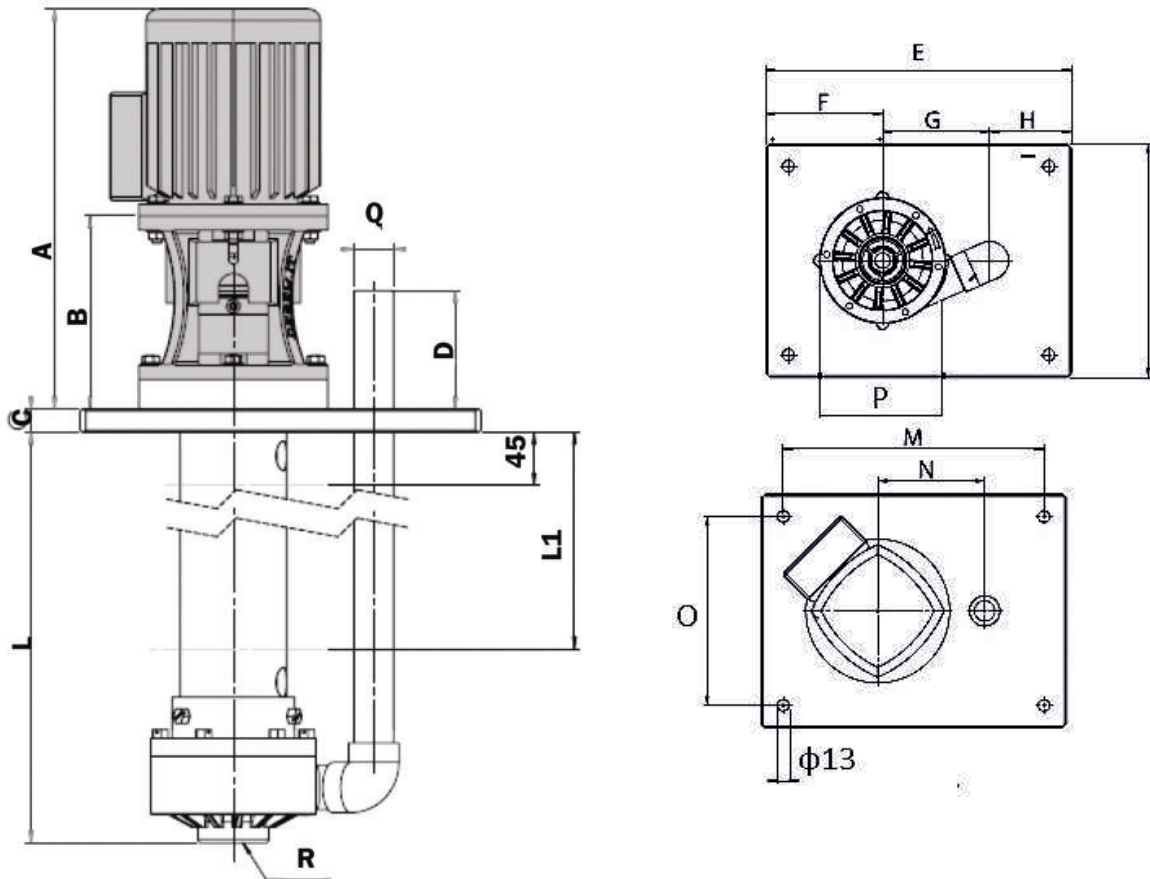
GALVANIC AND ELECTRONIC INDUSTRY

## Performance



## Dimensions

Column length: 500 - 1250 mm

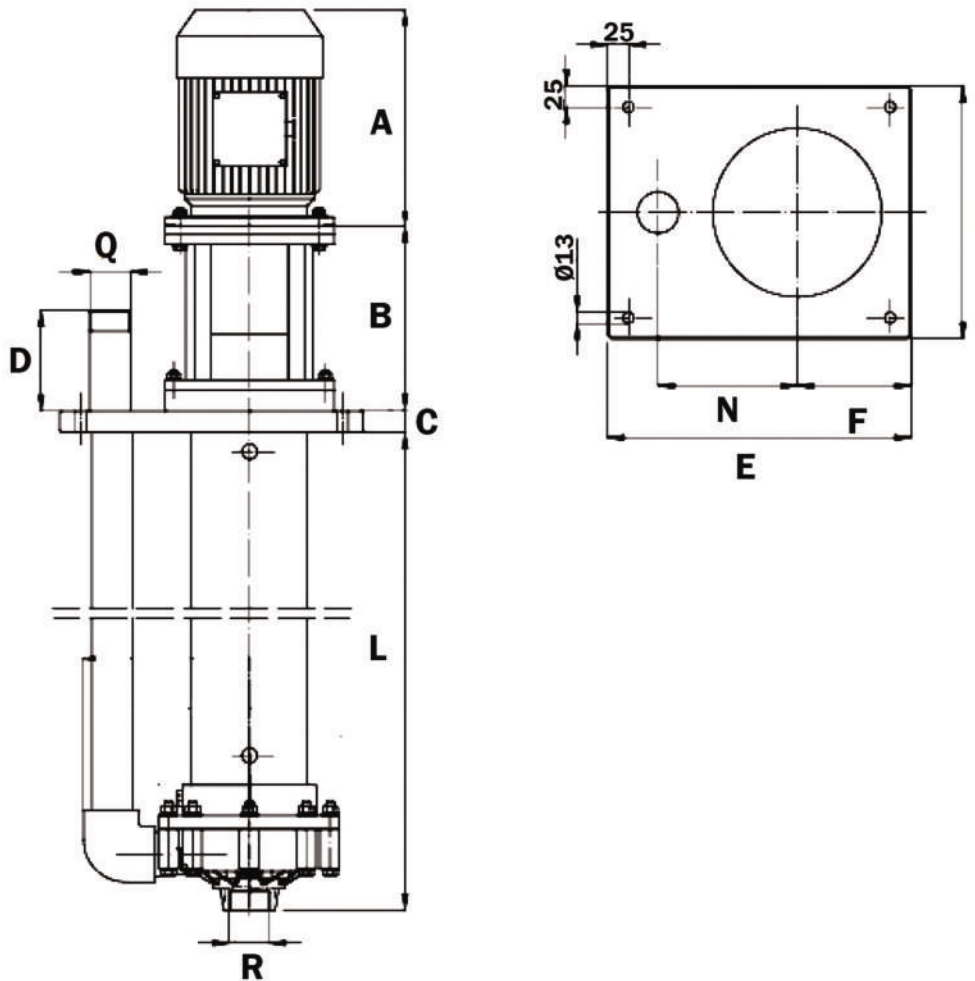


Motor Weight	13 kg
Column Weight L=500 mm	PP 15 Kg - PVDF 16 Kg
Column Weight L=800 mm	PP 19 Kg - PVDF 20 Kg
Column Weight L=1000 mm	PP 22 Kg - PVDF 23 Kg
Column Weight L=1250 mm	PP 24 Kg - PVDF 25 Kg

Pump Type	Motor Flange B5	HP	Rpm	Dimensions -mm-																
				A	B	L	C	D	E	F	G	H	M	N	O	P	Q	R		
ADV 110	80	1.5	2800	419	210	500-1250	25	125	360	135	165	60	300	310	165	250	Φ203	1 1/2 "	2'	

## Dimensions

Column length: 1500 - 2000 mm



Motor Weight	13 kg
Column Weight L=1500 mm	PP 26 Kg - PVDF 27 Kg
Column Weight L=2000 mm	PP 28 Kg - PVDF 29 Kg

Pump Type	Motor Flange B5	HP	Rpm	Dimensions -mm-															
				A	B	L	C	D	E	F	G	H	I	M	N	O	P	Q	R
ADV 110	80	1.5	2800	419	210	500-1250	25	125	360	135	165	60	300	310	165	250	Φ203	1 1/2 "	2'



*We Make The Difference*

**Production Plant - Greece**

Inofita Industrial area  
59th km Nat.Road Athens - Lamia  
GR 320 11 Inofita Viotia, Greece  
Tel: +30 215 215 9520, +30 215 215 9580  
email: [sales@alphadynamic.eu](mailto:sales@alphadynamic.eu)  
[www.alphadynamic.eu](http://www.alphadynamic.eu)

**Sales Office - England**

Rockleigh House, 37 Burton Road  
Ashby de la Zouch, Leicestershire  
LE65 2LF - United Kingdom (UK)  
Registered in ENGLAND & WALES  
Registration number 09706219  
email: [sales@alphadynamic.eu](mailto:sales@alphadynamic.eu)  
[www.alphadynamic.eu](http://www.alphadynamic.eu)