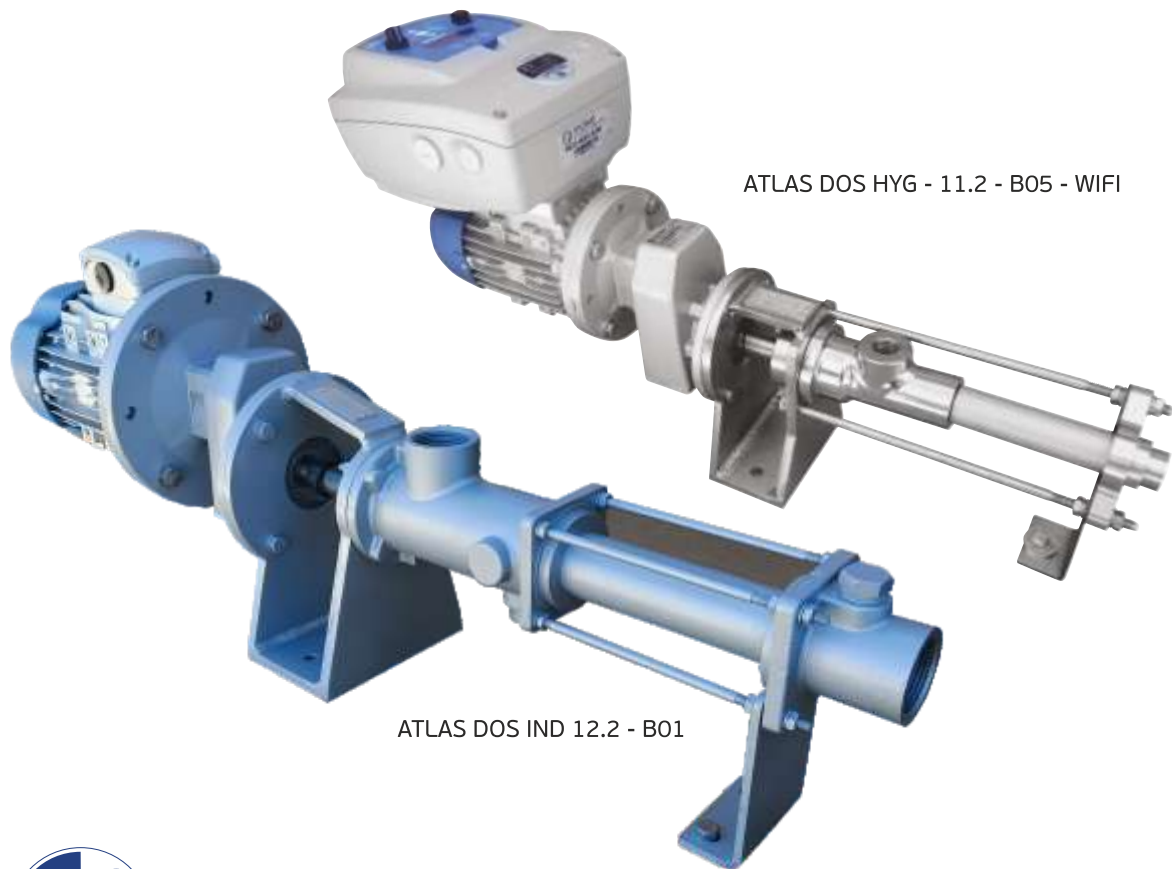


ATLAS DOS Series of Progressive Cavity Metering and Dosing Pumps offers an ideal solution to many low-flow pumping applications that require high accuracy in volume control at an affordable price.

For liquids that are low-viscosity to high-viscosity and abrasive liquids it provides a pumping solution that is much more reliable than other types of metering pumps available on the market today.



ATLAS DOS HYG - 11.2 - B05 - WIFI

ATLAS DOS IND 12.2 - B01



EAC CE

The ATLAS DOS pump series offers all the benefits in an accurate metering pump in a close-coupled design.

This enables you to have a more compact pump package where space is at a premium.

It also eliminates the need for a baseplate, coupling, coupling alignment, and coupling guard.

Available in 2 sizes.

Technical data

Flowrate : Up to 1300 L/h

Pressure up to : 12 Bar

Features

- ▶ Accurate Flow
- ▶ Close Coupled
- ▶ No Pulsation
- ▶ No Check valves
- ▶ Fits in Small Spaces
- ▶ Handles high discharge pressures
- ▶ Reversible pumping direction

The ATLAS DOS metering Progressing Cavity Pump offers you:

- ▶ Gentle product handling
- ▶ Easy service ability
- ▶ Robust and compact block construction
- ▶ Standard mechanical seal

Basic pump characteristics

Construction Materials:

Body Pump: Stainless steel 316

The rotating parts are in Stainless steel 316

Seal: Mechanical Seal Sic/Sic/FKM or EPDM, Cer/Graph/FKM or EPDM

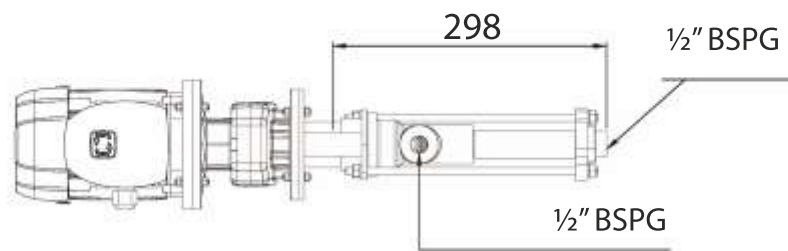
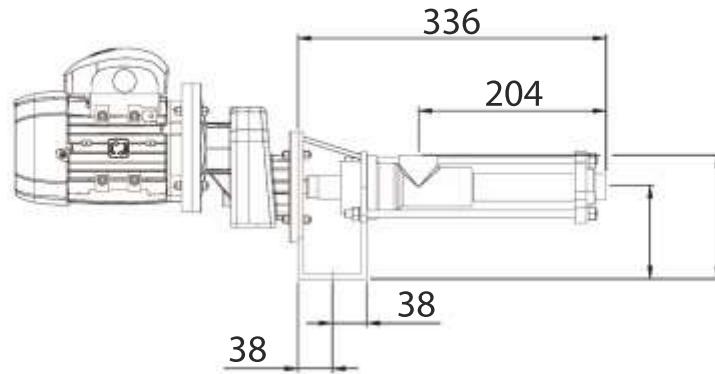
Stator: NBR, EPDM, HYPALON, FKM

Rotors : AISI 316

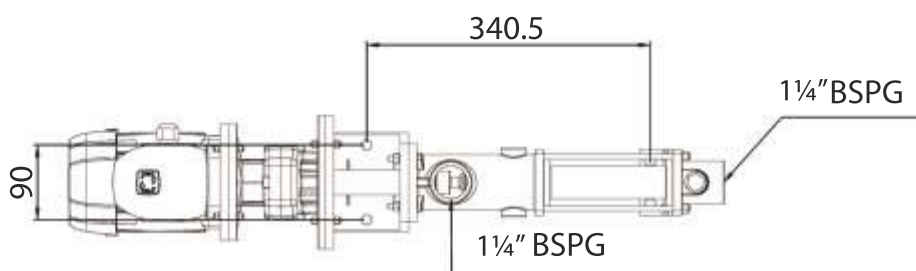
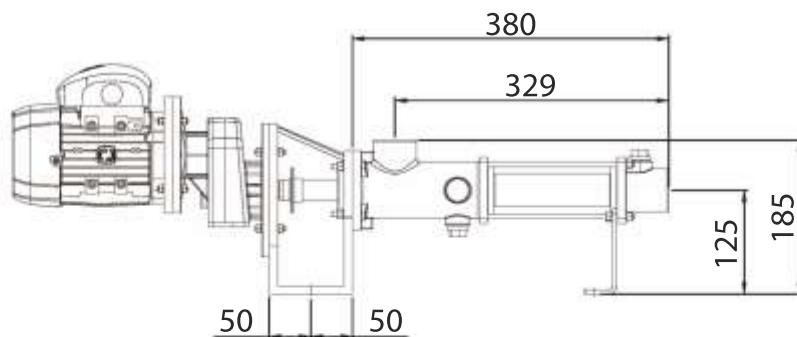
Industry Uses

- Rendering Waste Treatment Applications
- High Accuracy Polymer Feed Pumping
- Sampling / Dosing Application
- High Accuracy Polymer Feed Pumping
- Chemical Metering in Manufacturing Applications
- Glue Metering & Manufacturing Applications
- Additive Metering in Lubricant Oil Blending Applications
- Municipal Sewage Treatment Applications

Dimensions ATLAS DOS 11.2



Dimensions ATLAS DOS 12.2





Production Plant - Greece

Inofita Industrial area
59th km Nat.Road Athens- Lamia
GR 320 11 Inofita Viotia, Greece
Tel +30 215 215 9520 , +30 215 215 9580
Email: Sales@alphadynamic.eu
www.alphadynamic.eu

Sales Office – England

Rockleigh House, 37 Burton Road
Ashby de la Zouch , Leicestershire
LE65 2LF - United Kingdom (UK)
Registered in ENGLAND & WALES
Registration number 09706219
Tel +44 1213 680 324 , +44 1213 680472
Email: Sales@alphadynamic.eu
www.alphadynamic.eu