



ATLAS Progressive Cavity Pump



We Make The Difference

Line Introduction

ATLAS Progressive Cavity Pumps represent a versatile and highly efficient solution for the most demanding fluid transfer challenges. Engineered to handle a wide range of viscosities from thin, water-like fluids to abrasive and high-solid slurries these pumps provide a smooth, pulse-free flow.

Their unique design ensures high suction lift and precise dosing, making them an indispensable asset across industries such as wastewater treatment, food and beverage, and the oil and gas sector.

At the core of this technology lies the precision-machined rotor and the elastomer stator. As the rotor rotates, it creates a series of sealed, discrete cavities that move the medium smoothly from the suction to the discharge side.

This unique "carrying" action ensures a perfectly linear, pulse-free flow, regardless of pressure variations.

Main Advantages

■ High Viscosity Handling

They are perhaps the best choice for viscous materials. These pumps can transfer everything from thin liquids to extremely thick substances such as adhesives, greases, honey, or slurries, without any loss in performance.

■ Pulse-free Flow

Unlike piston or diaphragm pumps, ATLAS Progressive Cavity Pumps provide a perfectly smooth and continuous flow. This is critical in applications requiring constant pressure and the elimination of vibrations within the piping system.

■ Low Shear Action

Fluid transfer occurs "gently" within the cavities. This is ideal for shear-sensitive products that may degrade if agitated intensely (e.g., emulsions, wine, polymers, or biological sludge).

■ Accurate Dosing

The pump's flow rate is directly proportional to the rotational speed. This allows them to be used as dosing / metering pumps with exceptional precision, even under varying pressures.

■ Solids and Abrasives Handling

They can transport liquids containing suspended solids, fibers, or abrasive particles (e.g., sand) without clogging, thanks to the flexible elastomer stator that absorbs stresses.

■ High Suction Capability (Self-priming)

ATLAS Progressive Cavity Pumps possess excellent self-priming capabilities, creating a high vacuum. They can lift fluids from significant depths, even if the suction lines contain air or gases.

■ Reversible Operation

They can operate in both directions with the same efficiency, simply by changing the motor's direction of rotation.


■ Block Construction

Minimize overall dimensions, providing a shorter pump length.

Main application sectors




WATER AND SLUDGE TREATMENT



SHIPPING




FOOD AND DRINKS



GRAPHIC INDUSTRY



PAINT INDUSTRY



PRODUCTION AND STORAGE OF BIODIESEL



RECYCLING AND WASTE



PACKING, GLUE, PAPER AND PAPER MILLS



CERAMIC, STONE, MARBLE, GLASS AND MINING INDUSTRY



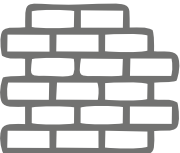
CHEMICAL INDUSTRY



TEXTILE AND LEATHER INDUSTRY



OIL & GAS

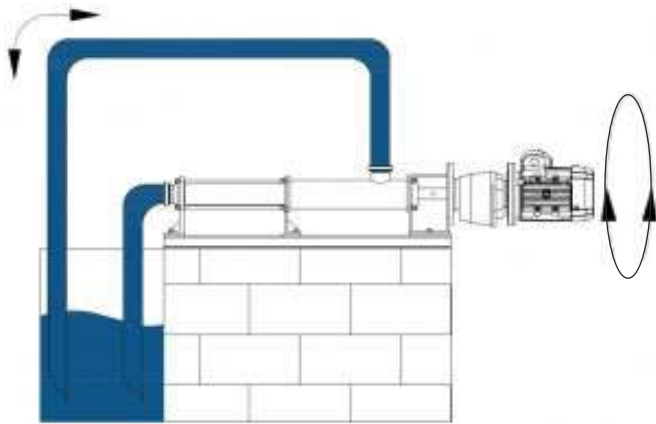


CONSTRUCTION



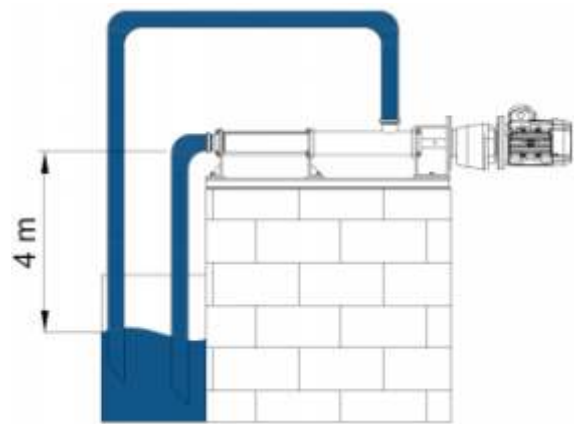
MECHANICAL AND METALLURGIC INDUSTRY

Installation



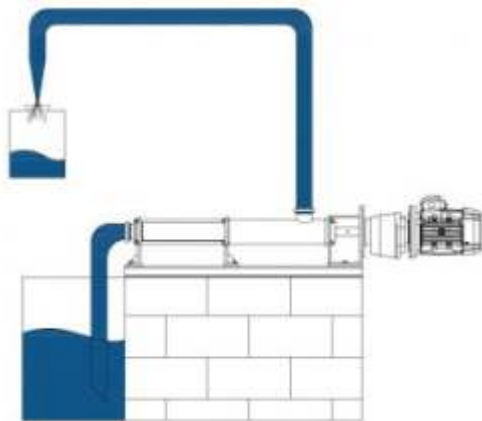
■ Reversible operation

The pump can work in both the 2 directions of operation with interchange of the flow of the liquid inside the network without a problem as many times as we want with a simple interchange of the motor direction.



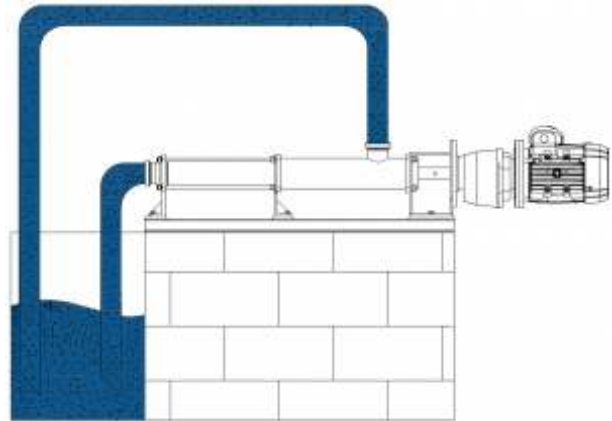
■ Self Priming

Self priming of the product up to 4m from a dry starting point within a few seconds.



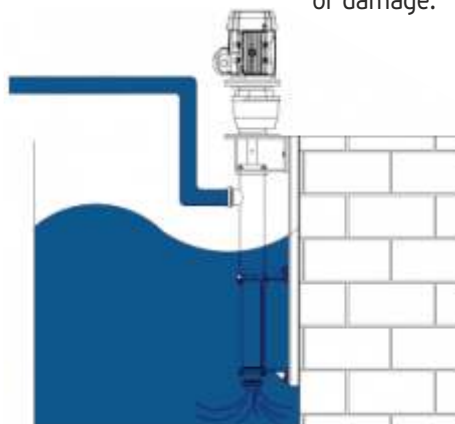
■ Smooth and steady pumping

of the product without pressure from the spikes (even flow rate is ideal for filling, dosing or filtration).



■ Suitable for the transfer of delicate and viscous liquids

Up to 500.000 cps, also for paste and cream liquids, even with solid suspension, without any wear out or damage.



■ Vertical operation

ATLAS Progressive Cavity CBM / SBM



Construction Materials:

- Pump body: Stainless Steel 316 (SBM) / Cast iron GG25 (CBM)
- Available rotors: Stainless Steel 316 / Tool steel HCP
- Rotating parts: Stainless Steel 316
- Available stators: NBR, EPDM, VITON, CSM-HYPALON
- Seal: Mechanical seal SIC/SIC / VITON or EPDM
- Ports: Flange PN16
- Base: Stainless Steel 304 (SBM) / Steel (CBM)

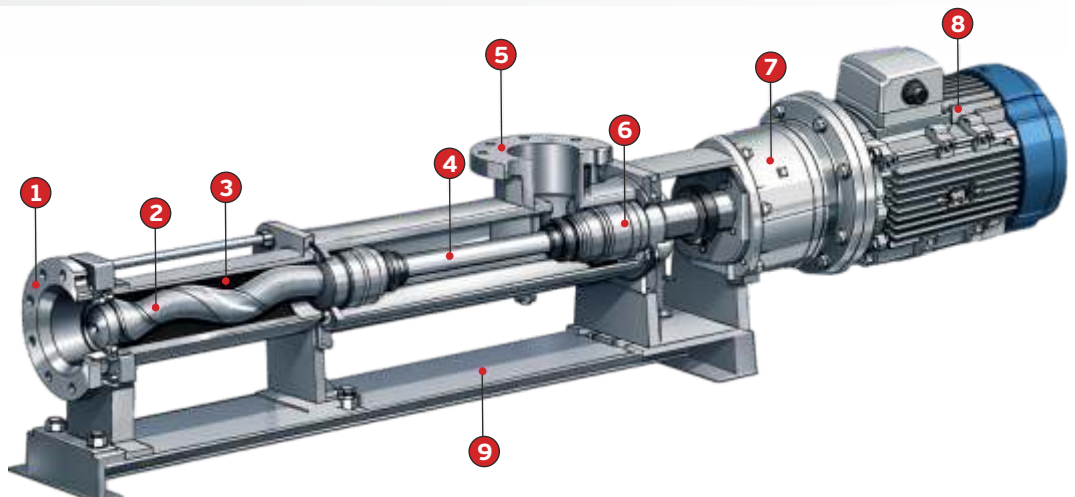
Technical specifications:

- Maximum Capacity: 75 m³/h
- Maximum Pressure: 12 bar
- Maximum Temperature: 150° C
- Maximum Viscosity: 100.000 cPs

Options:

- Temperature probe for dry running protection
- Motor with frequency converter (Wi-Fi)
- Stainless Steel 304 trolley
- CE Control Panel

1. Discharge Port
2. Rotor
3. Stator
4. Coupling Rod
5. Suction Port
6. Mechanical Seal
7. Gear Reducer
8. Electric Motor
9. Base Frame



ATLAS Progressive Cavity HBM



FDA COMPLIANT

1935/2004/EC



Construction Materials:

- Pump body: Stainless Steel 316 (Mirror polish)
- Available rotors: Stainless Steel 316
- Rotating parts: Stainless Steel 316
- Available stators: NBR, NBR light food grade, EPDM, VITON, CSM-HYPALON, EPDM food grade
- Seal: Mechanical seal SIC/SIC / VITON or EPDM
- Ports: DIN 11851
- Base: Stainless Steel 304

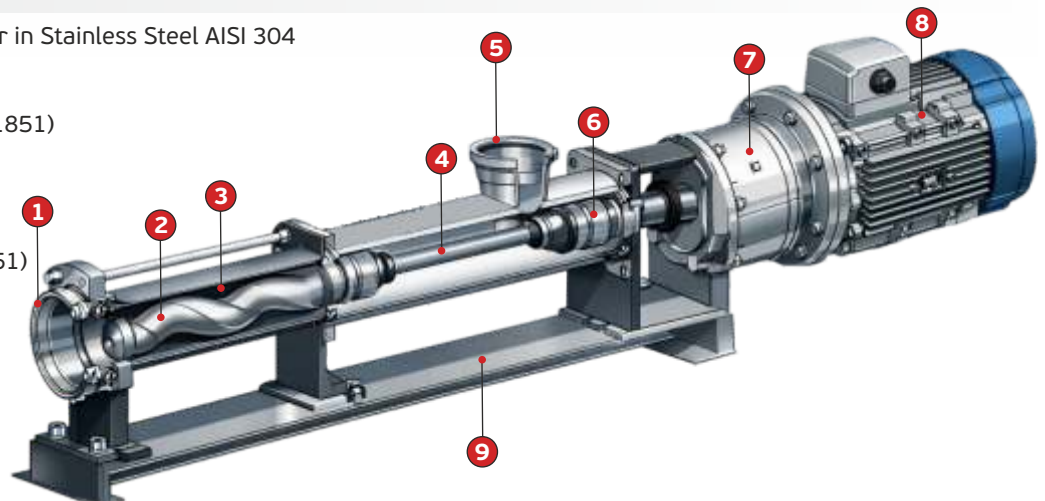
Technical specifications:

- Maximum Capacity: 50 m³/h
- Maximum Pressure: 12 bar
- Maximum Temperature: 150° C
- Maximum Viscosity: 100.000 cPs

Options:

- Temperature probe for dry running protection
- Motor with frequency converter (Wi-Fi)
- Stainless Steel 304 trolley
- CE Control Panel
- Third port for CIP applications
- Stator with exterior cover in Stainless Steel AISI 304

1. Discharge Port (DIN 11851)
2. Rotor
3. Stator
4. Coupling Rod
5. Suction Port (DIN 11851)
6. Mechanical Seal
7. Gear Reducer
8. Electric Motor
9. Base Frame



ATLAS Progressive Cavity WCM



Construction Materials:

- Pump body: Mild Steel
- Available rotors: Stainless Steel 316 / Tool steel HCP
- Rotating parts: Stainless Steel 316
- Available stators: NBR, EPDM, VITON, CSM-HYPALON
- Seal: Mechanical seal SIC/SIC / VITON or EPDM
- Ports: Hopper - Flange PN16
- Base: Steel

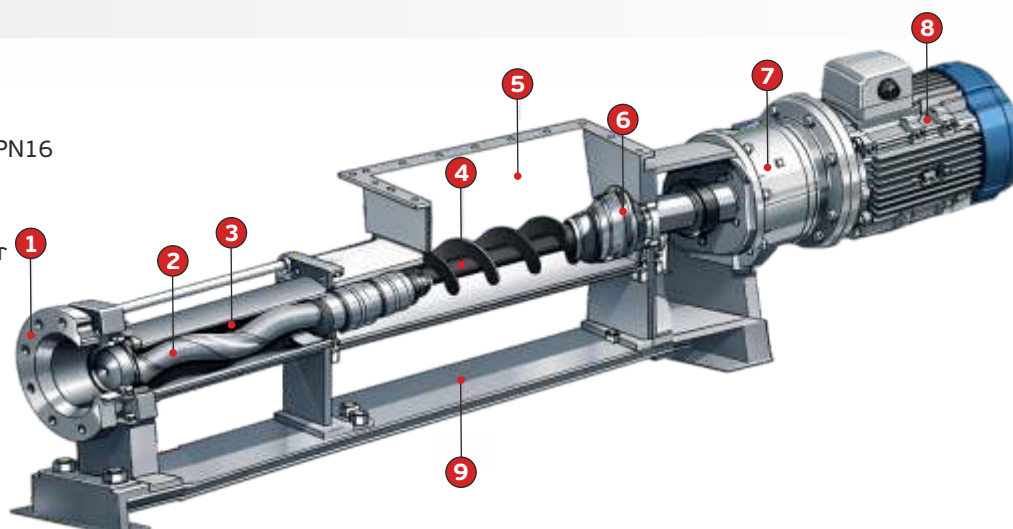
Technical specifications:

- Maximum Capacity: 40 m³/h
- Maximum Pressure: 12 bar
- Maximum Temperature: 150° C
- Maximum Viscosity: 500.000 cPs

Options:

- Temperature probe for dry running protection
- Motor with frequency converter (Wi-Fi)
- Stainless Steel 304 trolley
- CE Control Panel

1. Discharge Port: Flange PN16
2. Rotor
3. Stator
4. Coupling Rod with Auger
5. Hopper
6. Mechanical Seal
7. Gear Reducer
8. Electric Motor
9. Base Frame



ATLAS Progressive Cavity WSM



Construction Materials:

- Pump body: Stainless Steel 316
- Available rotors: Stainless Steel 316
- Rotating parts: Stainless Steel 316
- Available stators: NBR, NBR light food grade, EPDM, VITON, CSM-HYPALON, EPDM food grade
- Seal: Mechanical seal SIC/SIC / VITON or EPDM
- Ports: Hopper - DIN 11851
- Base: Stainless Steel 304

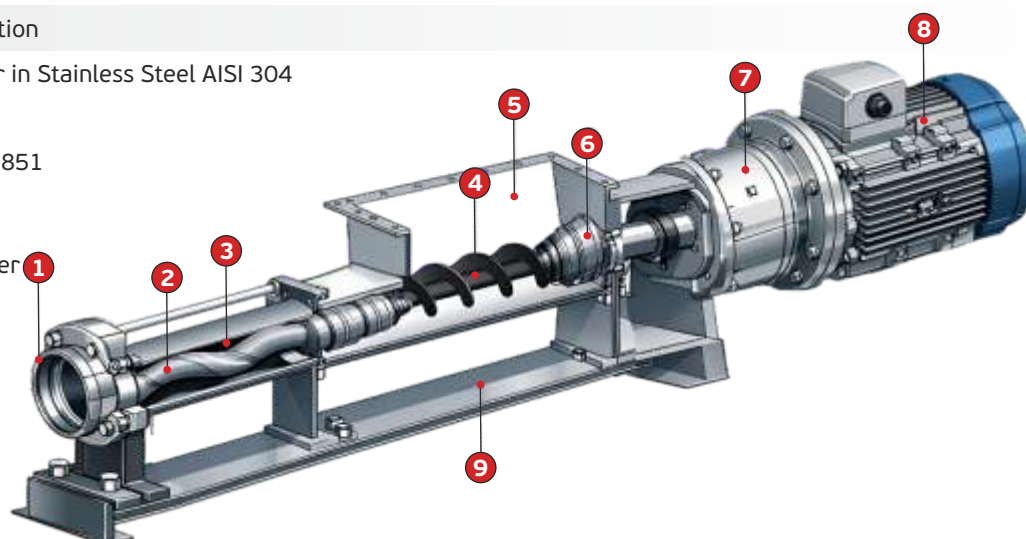
Technical specifications:

- Maximum Capacity: 40 m³/h
- Maximum Pressure: 12 bar
- Maximum Temperature: 150° C
- Maximum Viscosity: 500.000 cPs

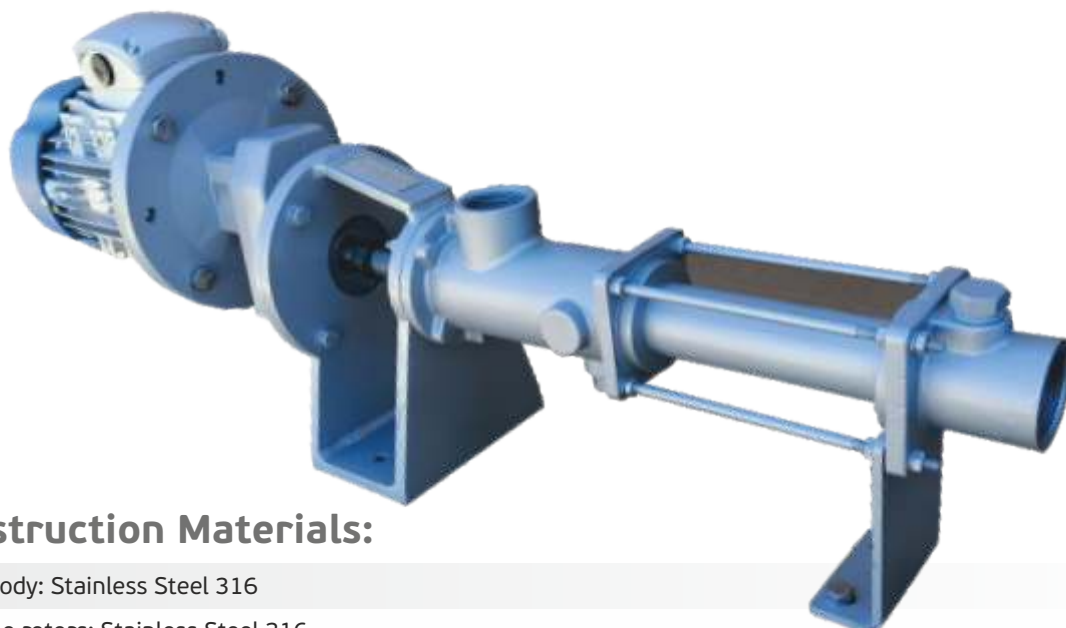
Options:

- Temperature probe for dry running protection
- Motor with frequency converter (Wi-Fi)
- Stainless Steel 304 trolley
- CE Control Panel
- Third port for CIP application
- Stator with exterior cover in Stainless Steel AISI 304

1. Discharge Port: DIN 11851
2. Rotor
3. Stator
4. Coupling Rod with Auger
5. Hopper
6. Mechanical Seal
7. Gear Reducer
8. Electric Motor
9. Base Frame



ATLAS Progressive Cavity Metering DOS



Construction Materials:

- Pump body: Stainless Steel 316
- Available rotors: Stainless Steel 316
- Rotating parts: Stainless Steel 316
- Available stators: NBR, NBR food grade, EPDM, VITON, EPDM food grade
- Seal: Mechanical seal SIC/SIC / VITON or EPDM
- Ports: BSP G / DIN 11851

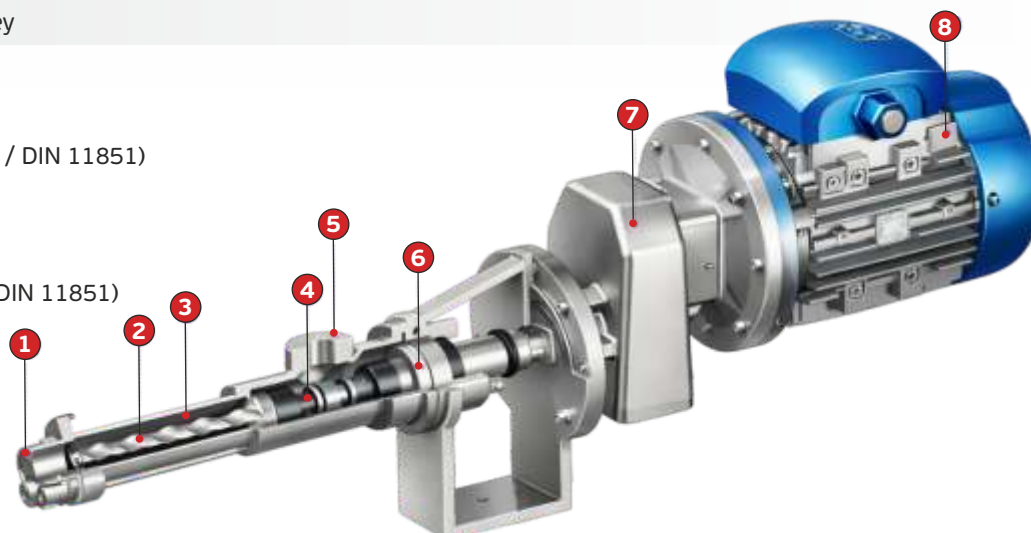
Technical specifications:

- Maximum Capacity: 650 L/h
- Maximum Pressure: 12 bar
- Maximum Temperature: 150°C

Options:

- Temperature probe for dry running protection
- Motor with frequency converter (Wi-Fi)
- Stainless Steel 304 trolley
- CE Control Panel

1. Discharge Port (BSP G / DIN 11851)
2. Rotor
3. Stator
4. Coupling Rod
5. Suction Port (BSP G / DIN 11851)
6. Mechanical Seal
7. Gear Reducer
8. Electric Motor

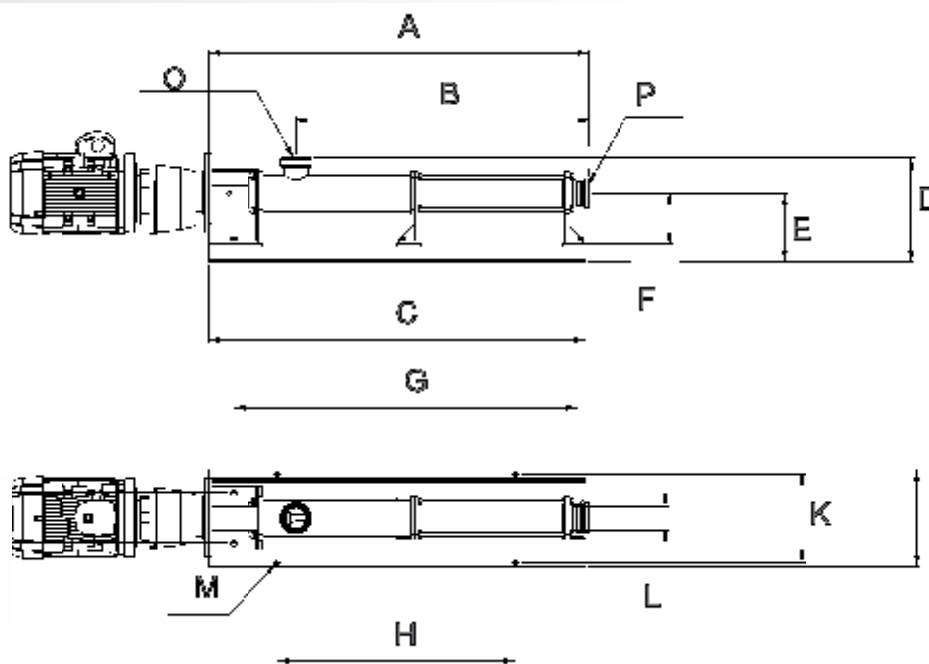


Pump Models HBM



Models	Max. Capacity	Max. Pressure	Ports	Max. Rpm
ATLAS HBM 15	2 m ³ /h	4.5 Bar	DN 32 DIN 11851	1450
ATLAS HBM 21	5 m ³ /h	6 Bar	DN 40 DIN 11851	1450
ATLAS HBM 31	13 m ³ /h	6 Bar	DN 50 DIN 11851	1000
ATLAS HBM 38	20 m ³ /h	6 Bar	DN 65 DIN 11851	750
ATLAS HBM 45	30 m ³ /h	6 Bar	DN 80 DIN 11851	750
ATLAS HBM 53	40 m ³ /h	6 Bar	DN 100 DIN 11851	550
ATLAS HBM 63	50 m ³ /h	6 Bar	DN 100 DIN 11851	400
ATLAS HBM 22	1.7 m ³ /h	12 Bar	DN 40 DIN 11851	1000
ATLAS HBM 32	3.5 m ³ /h	12 Bar	DN 50 DIN 11851	600
ATLAS HBM 42	7 m ³ /h	12 Bar	DN 65 DIN 11851	500
ATLAS HBM 52	14 m ³ /h	12 Bar	DN 100 DIN 11851	500
ATLAS HBM 62	20 m ³ /h	12 Bar	DN 100 DIN 11851	400

Dimensions



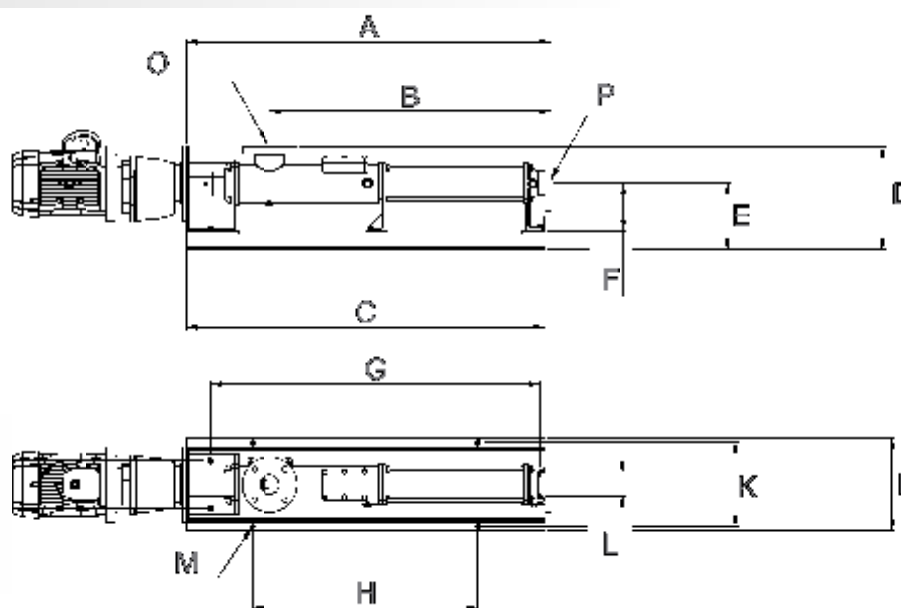
Models	Dimensions (mm)												Ports	
	A	B	C	D	E	F	G	H	I	K	L	M	O	P
ATLAS HBM 15	634	402	644	244	178	126	544	490	250	220	50	Φ15	DN 32 DIN 11851	
ATLAS HBM 21	678	446	690	247	178	120	590	490	250	220	50	Φ15	DN 40 DIN 11851	
ATLAS HBM 31	910	647	900	317	220	160	790	600	280	245	70	Φ15	DN 50 DIN 11851	
ATLAS HBM 38	1152	872	1157	333	220	160	1032	758	310	280	78	Φ15	DN 65 DIN 11851	
ATLAS HBM 45	1213	933	1202	333	220	160	1096	758	310	280	78	Φ15	DN 80 DIN 11851	
ATLAS HBM 53	1483	1118	1490	397	264	179	1300	1080	320	285	92	Φ15	DN 100 DIN 11851	
ATLAS HBM 63	1720	1340	1712	423	287	200	1537	1312	350	310	118	Φ19	DN 100 DIN 11851	
ATLAS HBM 22	678	446	690	247	178	120	590	490	250	220	50	Φ15	DN 40 DIN 11851	
ATLAS HBM 32	910	647	900	317	220	160	790	600	280	245	70	Φ15	DN 50 DIN 11851	
ATLAS HBM 42	1152	872	1157	333	220	160	1032	758	310	280	78	Φ15	DN 65 DIN 11851	
ATLAS HBM 52	1483	1118	1490	397	264	179	1300	1080	320	285	92	Φ15	DN 100 DIN 11851	
ATLAS HBM 62	1720	1340	1712	423	287	200	1537	1312	350	310	118	Φ19	DN 100 DIN 11851	

Pump Models CBM



Models	Max. Capacity	Max. Pressure	Ports	Max. Rpm
ATLAS CBM 15	2 m ³ /h	4.5 Bar	FLANGE PN 16 DN 25	1450
ATLAS CBM 21	5 m ³ /h	6 Bar	FLANGE PN 16 DN 32	1450
ATLAS CBM 31	13 m ³ /h	6 Bar	FLANGE PN 16 DN 50	1000
ATLAS CBM 38	20 m ³ /h	6 Bar	FLANGE PN 16 DN 65	750
ATLAS CBM 45	30 m ³ /h	6 Bar	FLANGE PN 16 DN 65	750
ATLAS CBM 53	40 m ³ /h	6 Bar	FLANGE PN 16 DN 80	550
ATLAS CBM 63	50 m ³ /h	6 Bar	FLANGE PN 16 DN 100	400
ATLAS CBM 76	75 m ³ /h	6 Bar	FLANGE PN 16 DN 125	350
ATLAS CBM 22	1.7 m ³ /h	12 Bar	FLANGE PN 16 DN 32	1000
ATLAS CBM 32	3.5 m ³ /h	12 Bar	FLANGE PN 16 DN 50	600
ATLAS CBM 42	7 m ³ /h	12 Bar	FLANGE PN 16 DN 65	500
ATLAS CBM 52	14 m ³ /h	12 Bar	FLANGE PN 16 DN 80	500
ATLAS CBM 62	20 m ³ /h	12 Bar	FLANGE PN 16 DN 100	400

Dimensions



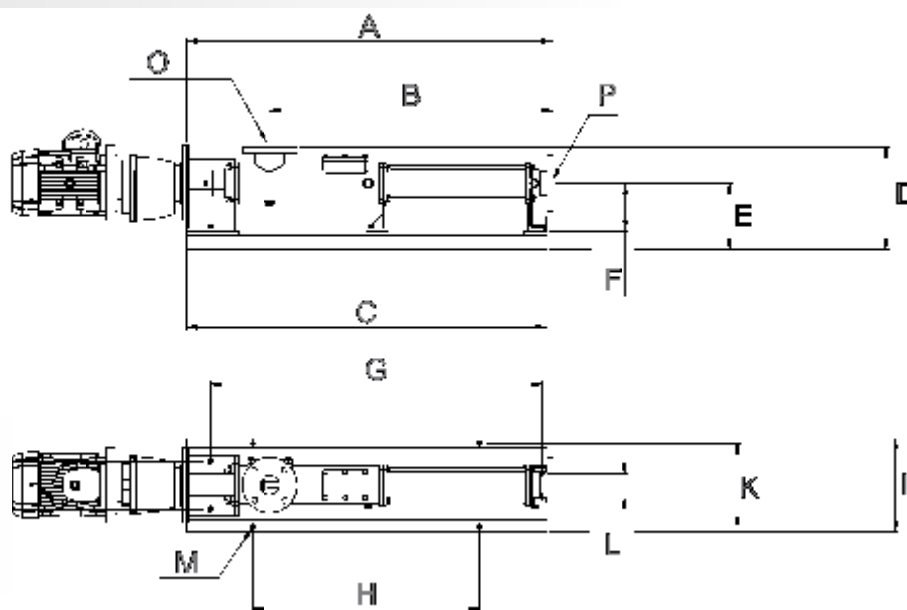
Models	Dimensions (mm)												Ports	
	A	B	C	D	E	F	G	H	I	K	L	M	O	P
ATLAS CBM 15	642	410	631	253	178	120	546	490	250	220	50	Ø15	FLANGE PN 16 DN 25	
ATLAS CBM 21	698	466	690	253	178	120	597	490	250	220	50	Ø15	FLANGE PN 16 DN 32	
ATLAS CBM 31	919	660	900	316	215	155	790	600	280	245	70	Ø15	FLANGE PN 16 DN 50	
ATLAS CBM 38	1161	881	1158	342	220	160	1045	758	310	280	78	Ø15	FLANGE PN 16 DN 65	
ATLAS CBM 45	1222	942	1202	342	220	160	1105	758	310	280	78	Ø15	FLANGE PN 16 DN 65	
ATLAS CBM 53	1492	1127	1490	405	265	180	1300	1080	320	285	92	Ø15	FLANGE PN 16 DN 80	
ATLAS CBM 63	1735	1355	1712	432	287	200	1538	1312	350	310	110	Ø19	FLANGE PN 16 DN 100	
ATLAS CBM 76	2101	1617	2070	508	311	225	1886	1670	350	320	130	Ø19	FLANGE PN 16 DN 125	
ATLAS CBM 22	698	466	690	253	178	120	597	490	250	220	50	Ø15	FLANGE PN 16 DN 32	
ATLAS CBM 32	919	660	900	316	215	155	790	600	280	245	70	Ø15	FLANGE PN 16 DN 50	
ATLAS CBM 42	1161	881	1158	342	220	160	1045	758	310	280	78	Ø15	FLANGE PN 16 DN 65	
ATLAS CBM 52	1492	1127	1490	405	265	180	1300	1080	320	285	92	Ø15	FLANGE PN 16 DN 80	
ATLAS CBM 62	1735	1355	1712	432	287	200	1538	1312	350	310	110	Ø19	FLANGE PN 16 DN 100	

Pump Models SBM



Models	Max. Capacity	Max. Pressure	Ports	Max. Rpm
ATLAS SBM 15	2 m ³ /h	4.5 Bar	FLANGE PN 16 DN 25	1450
ATLAS SBM 21	5 m ³ /h	6 Bar	FLANGE PN 16 DN 32	1450
ATLAS SBM 31	13 m ³ /h	6 Bar	FLANGE PN 16 DN 50	1000
ATLAS SBM 38	20 m ³ /h	6 Bar	FLANGE PN 16 DN 65	750
ATLAS SBM 45	30 m ³ /h	6 Bar	FLANGE PN 16 DN 65	750
ATLAS SBM 53	40 m ³ /h	6 Bar	FLANGE PN 16 DN 80	550
ATLAS SBM 63	50 m ³ /h	6 Bar	FLANGE PN 16 DN 100	400
ATLAS SBM 76	75 m ³ /h	6 Bar	FLANGE PN 16 DN 125	350
ATLAS SBM 22	1.7 m ³ /h	12 Bar	FLANGE PN 16 DN 32	1000
ATLAS SBM 32	3.5 m ³ /h	12 Bar	FLANGE PN 16 DN 50	600
ATLAS SBM 42	7 m ³ /h	12 Bar	FLANGE PN 16 DN 65	500
ATLAS SBM 52	14 m ³ /h	12 Bar	FLANGE PN 16 DN 80	500
ATLAS SBM 62	20 m ³ /h	12 Bar	FLANGE PN 16 DN 100	400

Dimensions



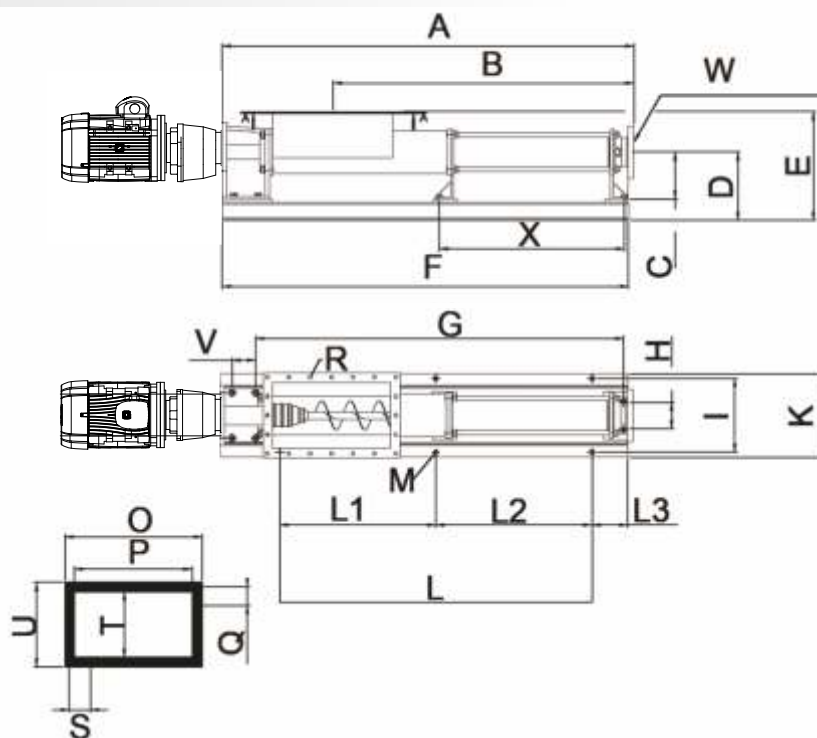
Models	Dimensions (mm)												Ports	
	A	B	C	D	E	F	G	H	I	K	L	M	O	P
ATLAS SBM 15	642	410	631	253	178	120	546	490	250	220	50	Ø15	FLANGE PN 16 DN 25	
ATLAS SBM 21	698	466	690	253	178	120	597	490	250	220	50	Ø15	FLANGE PN 16 DN 32	
ATLAS SBM 31	919	660	900	316	215	155	790	600	280	245	70	Ø15	FLANGE PN 16 DN 50	
ATLAS SBM 38	1161	881	1158	342	220	160	1045	758	310	280	78	Ø15	FLANGE PN 16 DN 65	
ATLAS SBM 45	1222	942	1202	342	220	160	1105	758	310	280	78	Ø15	FLANGE PN 16 DN 65	
ATLAS SBM 53	1492	1127	1490	405	265	180	1300	1080	320	285	92	Ø15	FLANGE PN 16 DN 80	
ATLAS SBM 63	1735	1355	1712	432	287	200	1538	1312	350	310	110	Ø19	FLANGE PN 16 DN 100	
ATLAS SBM 76	2101	1617	2070	508	311	225	1886	1670	350	320	130	Ø19	FLANGE PN 16 DN 125	
ATLAS SBM 22	698	466	690	253	178	120	597	490	250	220	50	Ø15	FLANGE PN 16 DN 32	
ATLAS SBM 32	919	660	900	316	215	155	790	600	280	245	70	Ø15	FLANGE PN 16 DN 50	
ATLAS SBM 42	1161	881	1158	342	220	160	1045	758	310	280	78	Ø15	FLANGE PN 16 DN 65	
ATLAS SBM 52	1492	1127	1490	405	265	180	1300	1080	320	285	92	Ø15	FLANGE PN 16 DN 80	
ATLAS SBM 62	1735	1355	1712	432	287	200	1538	1312	350	310	110	Ø19	FLANGE PN 16 DN 100	

Pump Models WCM



Models	Max. Capacity	Max. Pressure	Ports	Max. Rpm
ATLAS WCM 21	3 m ³ /h	6 Bar	Hopper x Flange PN 16 DN 25	1000
ATLAS WCM 31	3 m ³ /h	6 Bar	Hopper x Flange PN 16 DN 50	500
ATLAS WCM 38	8 m ³ /h	6 Bar	Hopper x Flange PN 16 DN 65	300
ATLAS WCM 45	13 m ³ /h	6 Bar	Hopper x Flange PN 16 DN 65	300
ATLAS WCM 53	20 m ³ /h	6 Bar	Hopper x Flange PN 16 DN 80	300
ATLAS WCM 63	30 m ³ /h	6 Bar	Hopper x Flange PN 16 DN 100	250
ATLAS WCM 22	1.5 m ³ /h	12 Bar	Hopper x Flange PN 16 DN 32	800
ATLAS WCM 32	2 m ³ /h	12 Bar	Hopper x Flange PN 16 DN 50	400
ATLAS WCM 42	4 m ³ /h	12 Bar	Hopper x Flange PN 16 DN 65	300
ATLAS WCM 52	8 m ³ /h	12 Bar	Hopper x Flange PN 16 DN 80	300
ATLAS WCM 62	10 m ³ /h	12 Bar	Hopper x Flange PN 16 DN 100	200

Dimensions



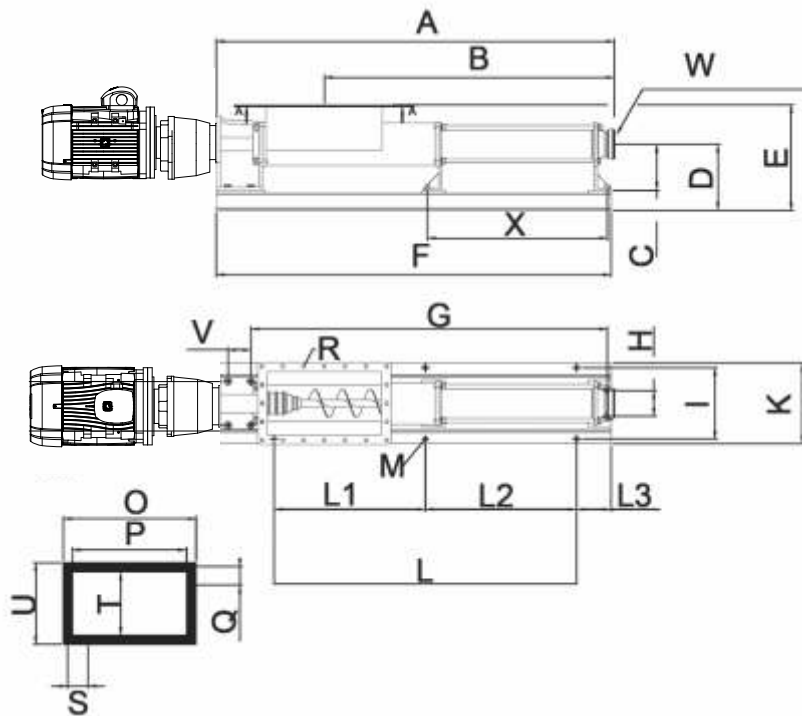
Models	Dimensions (mm)																								
	A	B	C	D	E	F	G	H	I	K	L	L1	L2	L3	M	O	P	Q	R	S	T	U	W	X	V
ATLAS WCM 21	698	483	120	178	258	690	590	50	220	250	490	-	-	-	Φ15	190	140	50	Φ8	57	112	170	DN32	-	-
ATLAS WCM 31	919	658	160	220	315	900	790	70	245	280	600	-	-	-	Φ15	270	200	55	Φ10	60	175	250	DN50	-	-
ATLAS WCM 38	1161	861	160	220	358	1158	1042	78	280	310	758	-	-	-	Φ15	310	240	62,5	Φ10	70	210	280	DN65	-	-
ATLAS WCM 45	1222	922	160	220	358	1202	1104	78	280	310	758	-	-	-	Φ15	310	240	62,5	Φ10	70	210	280	DN65	566	-
ATLAS WCM 53	1490	1109	179	264	422	1490	1308	92	285	320	1080	540	540	-	Φ15	400	327	70	Φ12	74	239	310	DN80	677	100
ATLAS WCM 63	1735	1267	200	287	457	1712	1545	110	310	350	1312	656	656	150	Φ19	575	495	80	Φ15	90	275	355	DN100	780	100
ATLAS WCM 22	698	483	120	178	258	690	590	50	220	250	490	-	-	-	Φ15	190	140	50	Φ8	57	112	170	DN32	-	-
ATLAS WCM 32	919	658	160	220	315	900	790	70	245	280	600	-	-	-	Φ15	270	200	55	Φ10	60	175	250	DN50	-	-
ATLAS WCM 42	1161	861	160	220	358	1158	1042	78	280	310	758	-	-	-	Φ15	310	240	62,5	Φ10	70	210	280	DN65	-	-
ATLAS WCM 52	1490	1109	179	264	422	1490	1308	92	285	320	1080	540	540	-	Φ15	400	327	70	Φ12	74	239	310	DN80	677	100
ATLAS WCM 62	1735	1267	200	287	457	1712	1545	110	310	350	1312	656	656	150	Φ19	575	495	80	Φ15	90	275	355	DN100	780	100

Pump Models WSM



Models	Max. Capacity	Max. Pressure	Ports	Max. Rpm
ATLAS WSM 21	3 m ³ /h	6 Bar	Hopper x DN 40 DIN 11851	1000
ATLAS WSM 31	3 m ³ /h	6 Bar	Hopper x DN 50 DIN 11851	500
ATLAS WSM 38	8 m ³ /h	6 Bar	Hopper x DN 65 DIN 11851	300
ATLAS WSM 45	13 m ³ /h	6 Bar	Hopper x DN 65 DIN 11851	300
ATLAS WSM 53	20 m ³ /h	6 Bar	Hopper x DN 80 DIN 11851	300
ATLAS WSM 63	30 m ³ /h	6 Bar	Hopper x DN 100 DIN 11851	250
ATLAS WSM 22	1.5 m ³ /h	12 Bar	Hopper x DN 40 DIN 11851	800
ATLAS WSM 32	2 m ³ /h	12 Bar	Hopper x DN 50 DIN 11851	400
ATLAS WSM 42	4 m ³ /h	12 Bar	Hopper x DN 65 DIN 11851	300
ATLAS WSM 52	8 m ³ /h	12 Bar	Hopper x DN 80 DIN 11851	300
ATLAS WSM 62	10 m ³ /h	12 Bar	Hopper x DN 100 DIN 11851	200

Dimensions



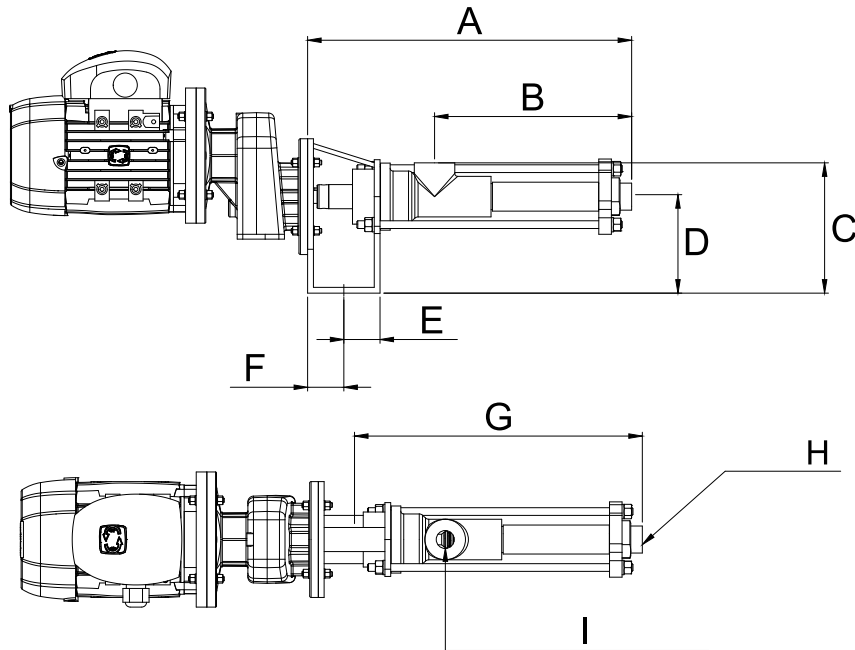
Models	Dimensions (mm)																								
	A	B	C	D	E	F	G	H	I	K	L	L1	L2	L3	M	O	P	Q	R	S	T	U	W	X	V
ATLAS WSM 21	678	463	120	178	258	690	590	50	220	250	490	-	-	-	Φ15	190	140	50	Φ8	57	112	170	DN40	-	-
ATLAS WSM 31	910	649	160	220	315	900	790	70	245	280	600	-	-	-	Φ15	270	200	55	Φ10	60	175	250	DN50	-	-
ATLAS WSM 38	1152	852	160	220	358	1158	1042	78	280	310	758	-	-	-	Φ15	310	240	62,5	Φ10	70	210	280	DN65	-	-
ATLAS WSM 45	1213	913	160	220	358	1202	1104	78	280	310	758	-	-	-	Φ15	310	240	62,5	Φ10	70	210	280	DN80	566	-
ATLAS WSM 53	1483	1102	179	264	422	1490	1308	92	285	320	1080	540	540	200	Φ15	400	327	70	Φ12	74	239	310	DN80	677	100
ATLAS WSM 63	1720	1252	200	287	457	1712	1545	110	310	350	1312	656	656	150	Φ19	575	495	80	Φ15	90	275	355	DN100	780	100
ATLAS WSM 22	678	463	120	178	258	690	590	50	220	250	490	-	-	-	Φ15	190	140	50	Φ8	57	112	170	DN40	-	-
ATLAS WSM 32	910	649	160	220	315	900	790	70	245	280	600	-	-	-	Φ15	270	200	55	Φ10	60	175	250	DN50	-	-
ATLAS WSM 42	1152	852	160	220	358	1158	1042	78	280	310	758	-	-	-	Φ15	310	240	62,5	Φ10	70	210	280	DN65	-	-
ATLAS WSM 52	1483	1102	179	264	422	1490	1308	92	285	320	1080	540	540	200	Φ15	400	327	70	Φ12	74	239	310	DN80	677	100
ATLAS WSM 62	1720	1252	200	287	457	1712	1545	110	310	350	1312	656	656	150	Φ19	575	495	80	Φ15	90	275	355	DN100	780	100

Pump Models DOS

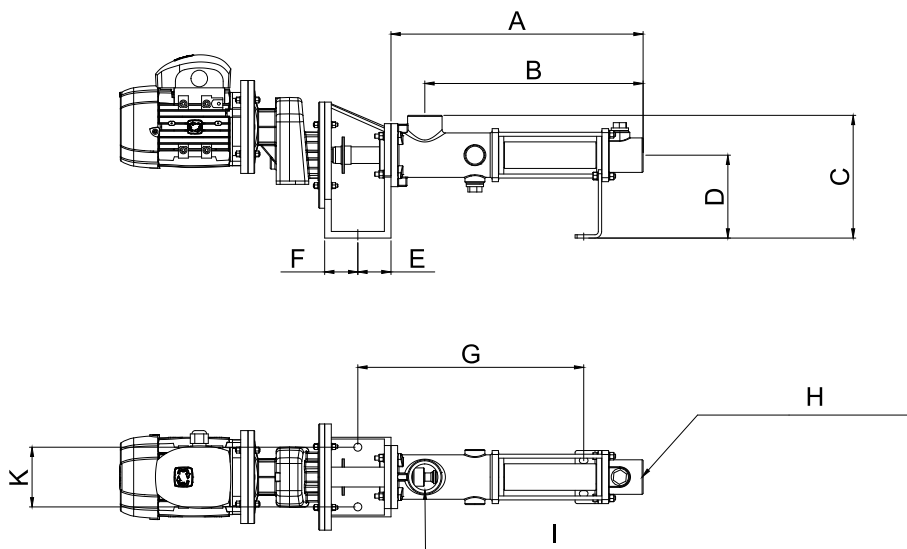


Models	Max. Capacity	Max. Pressure	Ports	Max. Rpm
ATLAS 11.2	220 L/h	12 Bar	1/2" BSP G / DN 15 DIN 11851	1450
ATLAS 12.2	650 L/h	12 Bar	1 1/4" BSP G / DN 32 DIN 11851	1450

Dimensions



Models	Dimensions (mm)							Ports	
	A	B	C	D	E	F	G	H	I
ATLAS 11.2	336	204	135	102	38	38	298	1/2" BSP G	1/2" BSP G



Models	Dimensions (mm)							Ports	
	A	B	C	D	E	F	G	H	I
ATLAS 12.2	380	329	185	125	50	50	340.5	1 1/4" BSP G	1 1/4" BSP G



We Make The Difference



Headquarters / Factory:

AlphaDynamic Pumps SA
59 Km Nat. Road Athens - Lamia
Industrial Park of Inofita Viotia
32011 - Inofita Viotia - Greece
VAT No. EL 999695309
Commercial Registry: 045001607000
Tel.: +30 215 215 9520
e-mail: sales@alphadynamic.eu

www.alphadynamic.eu