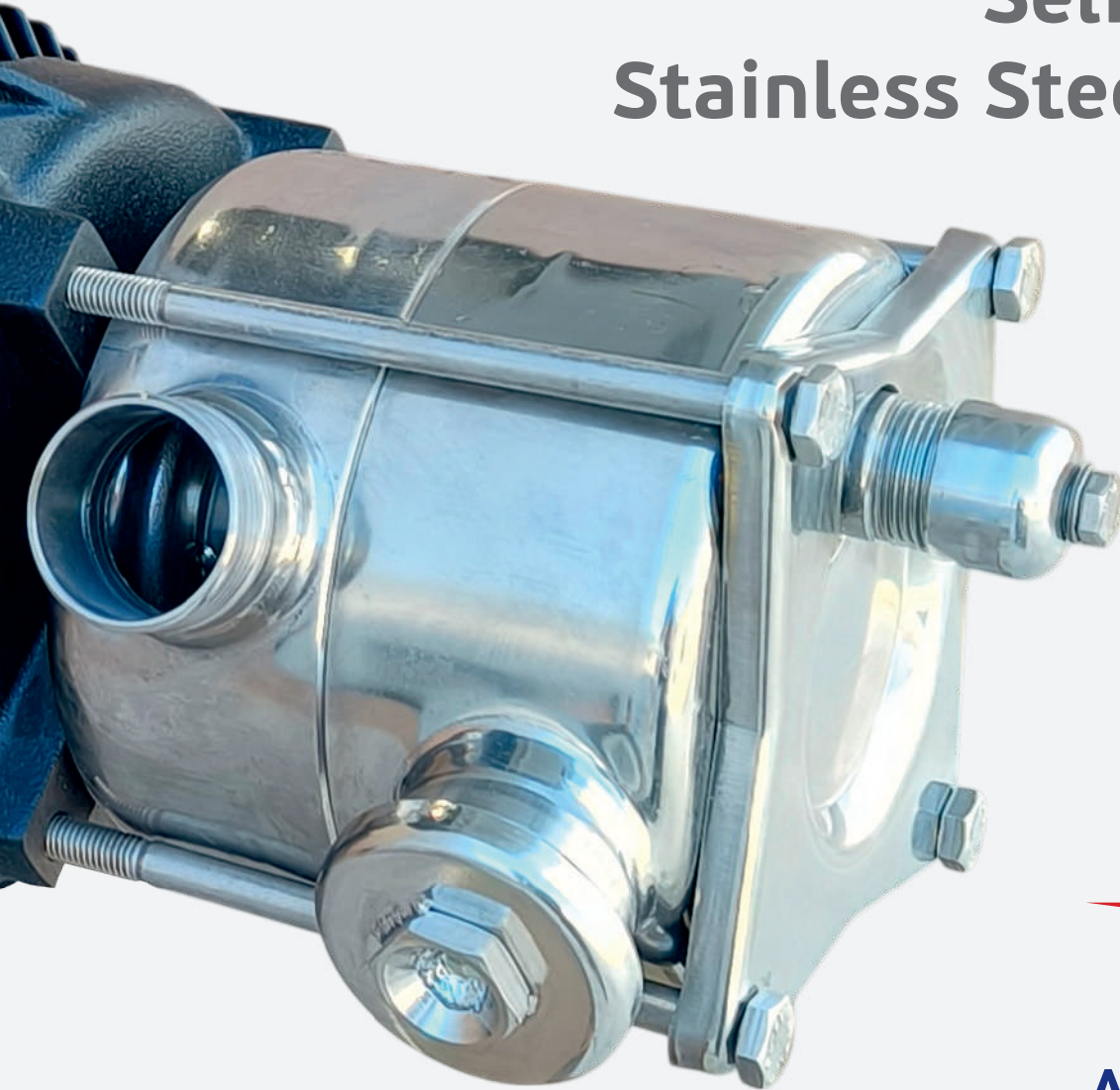


**PAS - QUAD - GIGA PAS**  
Self Priming Stainless Steel Pumps

# PAS - GIGA PAS Side Channel Pumps

# QUAD Self Priming Stainless Steel Pumps



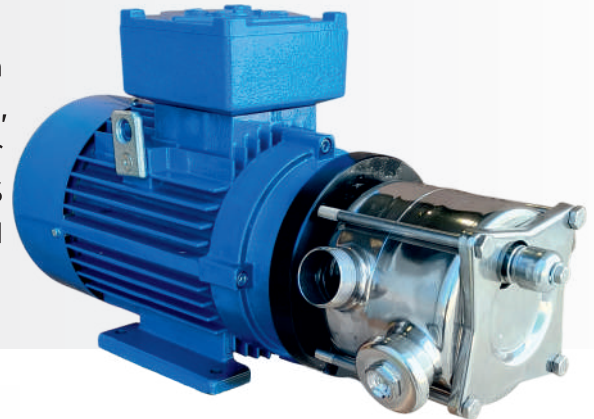
*We Make The Difference*

# Line Introduction



The **PAS series pumps** are specially designed self-priming liquid ring peripheral centrifugal pumps, featuring an integrated by-pass and pre-filter.

The advanced construction of these pumps makes them ideal for a wide range of industrial applications. Furthermore, to accommodate the pumping of flammable liquids or the use of pumps in hazardous environments, the PAS series is also available with a range of ATEX-certified motors.



## Main Advantages

- **Self-priming pumps:** PAS Side channel self priming pump able to handle liquids with dissolved gases and to operate at a depth of up to 5 m.
- **Variable flow rate:** The PAS series pumps are fitted with an internal bypass, which can be adjusted to partly reduce the flow rate.
- **Reduced speed:** Available with 1400 RPM motors, which ensures a softer and more gentle pumping action.
- **High thickness pump casing:** High thickness steel (3mm) which ensures a higher mechanical and corrosion resistance, and therefore a longer life.
- **Zone at risk of explosion:** To operate in zones at risk of explosion, motors compliant with ATEX standards are supplied.
- **Flow reversibility:** On request, a motor that can reverse its direction of rotation is supplied, to ensure full flow reversibility.
- **Stainless steel impeller:** The impeller is made from microcasting of AISI 316 stainless steel. Its shape has been optimised to ensure a high hydraulic efficiency.

## Application sectors

Chemical Industry, Food and Beverage Industry, Textile and Leather Industry, Metallurgic Industry



CHEMICAL INDUSTRY



FOOD AND  
BEVERAGE INDUSTRY

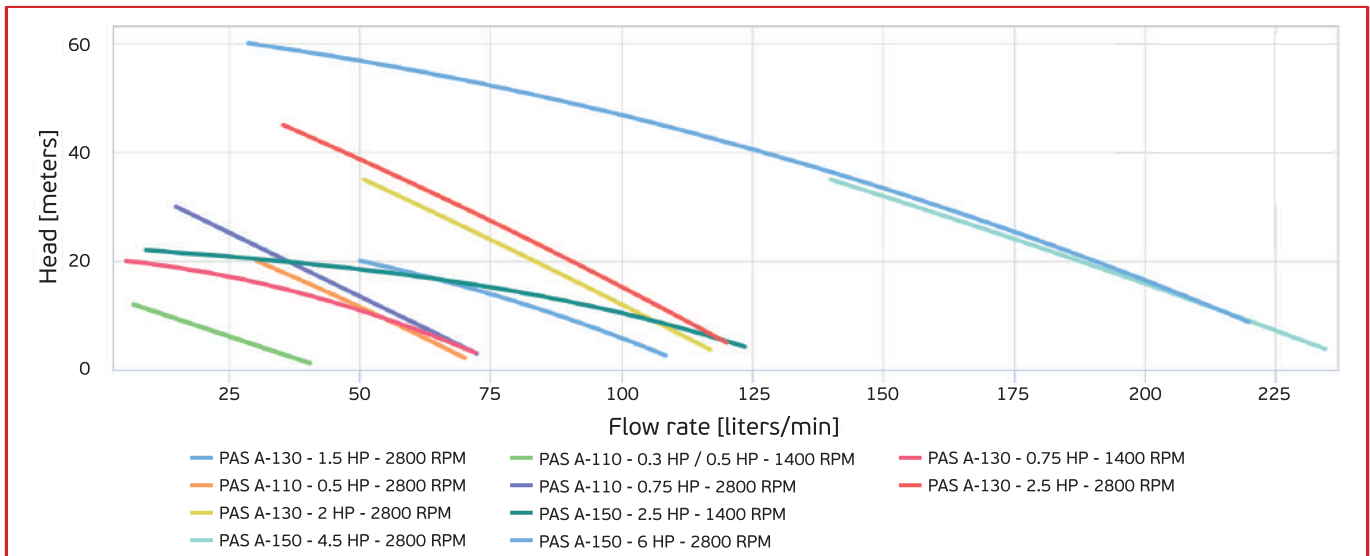


TEXTILE AND  
LEATHER INDUSTRY

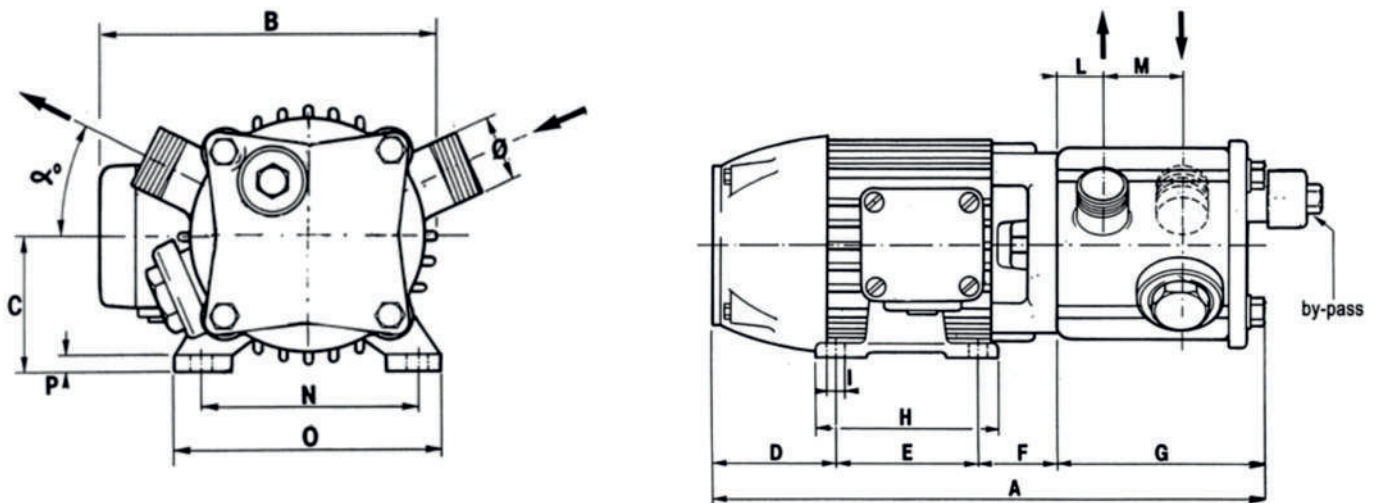


METALLURGIC INDUSTRY

# Performances



# Dimensions



| Models    | MOTOR |      | Dimensions (mm) |     |     |     |     |    |     |     |    |    |    |     |     | a [deg] | Ø PORTS |        |
|-----------|-------|------|-----------------|-----|-----|-----|-----|----|-----|-----|----|----|----|-----|-----|---------|---------|--------|
|           | HP    | RPM  | A               | B   | C   | D   | E   | F  | G   | H   | I  | L  | M  | N   | O   |         |         | P      |
| PAS A-110 | 0.3   | 1400 | 345             | 182 | 72  | 75  | 90  | 50 | 130 | 101 | 8  | 27 | 58 | 112 | 137 | 10      | 25°     | 1"     |
| PAS A-110 | 0.5   | 1400 | 345             | 188 | 72  | 75  | 90  | 50 | 130 | 101 | 8  | 27 | 58 | 112 | 137 | 10      | 25°     | 1"     |
| PAS A-110 | 0.5   | 2800 | 345             | 182 | 72  | 75  | 90  | 50 | 130 | 101 | 8  | 27 | 58 | 112 | 137 | 10      | 25°     | 1"     |
| PAS A-110 | 0.75  | 2800 | 345             | 188 | 72  | 75  | 90  | 50 | 130 | 101 | 8  | 27 | 58 | 112 | 137 | 10      | 25°     | 1"     |
| PAS A-130 | 0.75  | 1400 | 400             | 208 | 80  | 87  | 100 | 55 | 158 | 122 | 10 | 30 | 74 | 125 | 155 | 10      | 25°     | 1 1/4" |
| PAS A-130 | 2     | 2800 | 410             | 225 | 90  | 90  | 100 | 62 | 158 | 125 | 10 | 30 | 74 | 140 | 175 | 12      | 25°     | 1 1/4" |
| PAS A-130 | 2.5   | 2800 | 435             | 225 | 90  | 90  | 125 | 62 | 158 | 150 | 10 | 30 | 74 | 140 | 172 | 13      | 25°     | 1 1/4" |
| PAS A-150 | 2.5   | 1400 | 485             | 255 | 100 | 97  | 140 | 73 | 175 | 170 | 12 | 41 | 71 | 160 | 198 | 13      | 25°     | 1 1/2" |
| PAS A-150 | 4.5   | 2800 | 518             | 280 | 112 | 108 | 140 | 95 | 175 | 172 | 13 | 41 | 71 | 190 | 227 | 17      | 25°     | 1 1/2" |
| PAS A-150 | 6     | 2800 | 520             | 280 | 112 | 110 | 140 | 95 | 175 | 172 | 13 | 41 | 71 | 190 | 227 | 17      | 25°     | 1 1/2" |

# Line Introduction



Engineered for excellence, the **GIGA PAS series** comprises specialized self-priming, liquid ring peripheral centrifugal pumps.

Their superior build quality renders them the premier choice for diverse industrial requirements.

Moreover, to ensure safety when handling flammable substances or operating in volatile settings, the GIGA PAS range can be equipped with a selection of ATEX-compliant motors.



## Main Advantages

- **Advanced Self-Priming Performance:** Side-channel self-priming pump engineered to handle liquids with entrained gases. It maintains consistent operation at suction lifts reaching up to 6 m.
- **Low-Speed Operation for Gentle Transfer:** The integration of a low-speed motor ensures a gentle pumping action, specifically designed to preserve the integrity of shear-sensitive or high-viscosity fluids.
- **Superior Hydraulic Efficiency:** Optimized hydraulic design enables the achievement of high discharge heads, even when operating at reduced motor speeds, maximizing performance without compromising fluid handling.
- **Heavy-Duty Reinforced Casing:** Constructed with high-gauge steel (4 mm thickness), the casing provides exceptional mechanical strength and superior corrosion resistance, significantly extending the unit's operational lifespan.
- **Hazardous Area Compatibility:** For safe operation in potentially explosive atmospheres, units are equipped with high-specification ATEX-compliant motors, ensuring full adherence to international safety standards.
- **Bi-directional Flow Versatility:** The GIGA PAS series is engineered for complete flow reversibility, allowing for seamless bi-directional operation to suit complex piping requirements.

## Application sectors

Chemical Industry, Food and Beverage Industry, Textile and Leather Industry, Metallurgic Industry



CHEMICAL INDUSTRY



FOOD AND  
BEVERAGE INDUSTRY

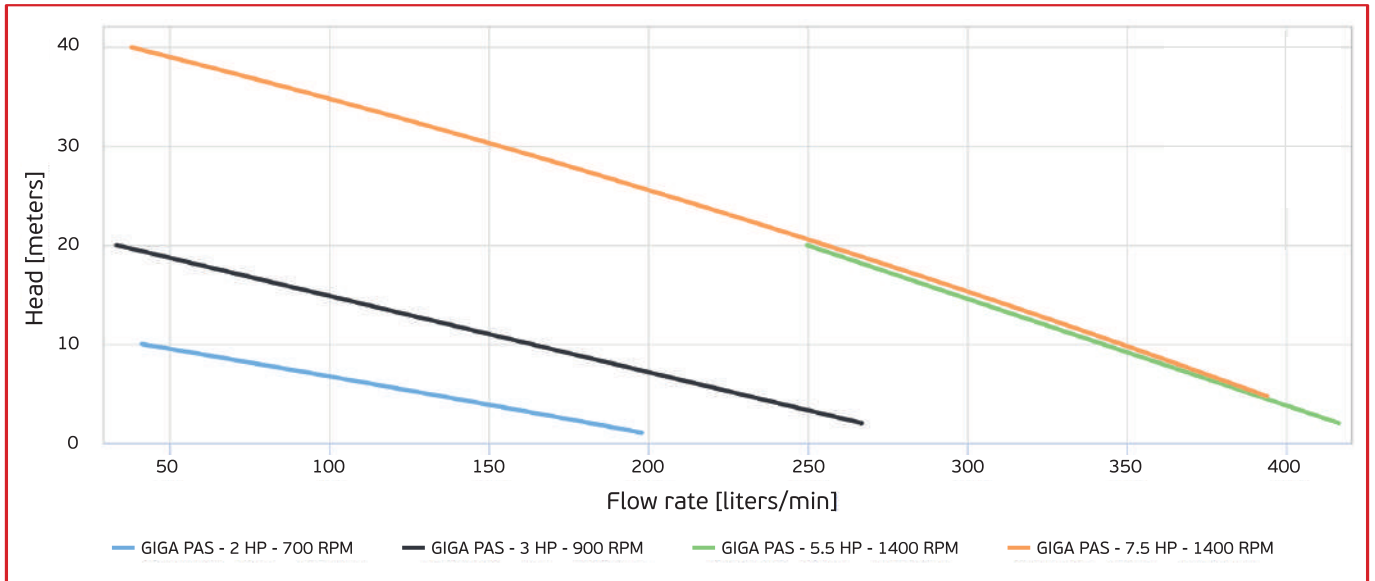


TEXTILE AND  
LEATHER INDUSTRY

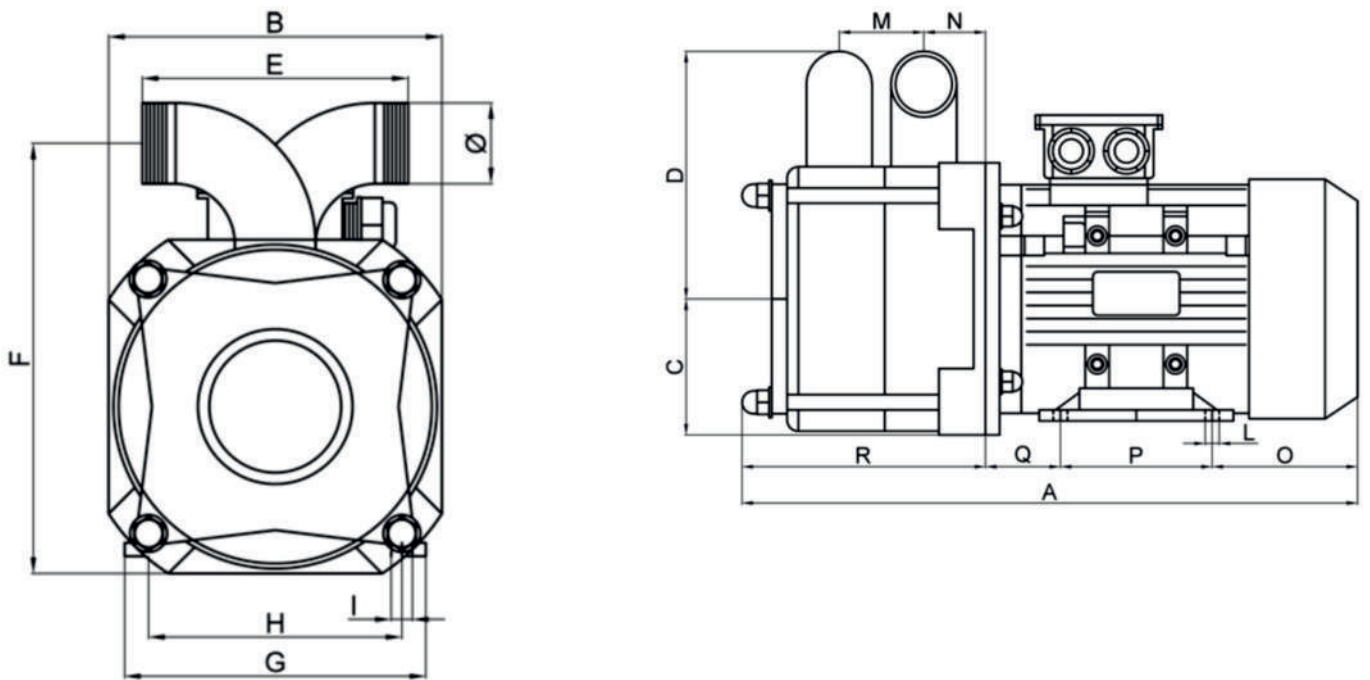


METALLURGIC INDUSTRY

# Performances



# Dimensions



| Models   | MOTOR |      | Dimensions (mm) |     |     |     |     |     |     |     |    |    |    |    |     |     |    | a [deg] |     |
|----------|-------|------|-----------------|-----|-----|-----|-----|-----|-----|-----|----|----|----|----|-----|-----|----|---------|-----|
|          | HP    | RPM  | A               | B   | C   | D   | E   | F   | G   | H   | I  | L  | M  | N  | O   | P   | Q  |         | R   |
| GIGA PAS | 2     | 700  | 568             | 250 | 125 | 228 | 200 | 323 | 226 | 190 | 16 | 13 | 78 | 57 | 134 | 140 | 69 | 225     | 2'' |
| GIGA PAS | 3     | 900  | 568             | 250 | 125 | 228 | 200 | 323 | 226 | 190 | 16 | 13 | 78 | 57 | 134 | 140 | 69 | 225     | 2'' |
| GIGA PAS | 5.5   | 1400 | 568             | 250 | 125 | 228 | 200 | 323 | 226 | 190 | 16 | 13 | 78 | 57 | 134 | 140 | 69 | 225     | 2'' |
| GIGA PAS | 7.5   | 1400 | 568             | 250 | 125 | 228 | 200 | 323 | 226 | 190 | 16 | 13 | 78 | 57 | 134 | 140 | 69 | 225     | 2'' |

# Line Introduction



The **QUAD series** represents a premium line of stainless steel, self-priming pumps, engineered to deliver peak performance under the most rigorous conditions. These units are specifically designed to handle fluids containing suspended solids with ease, ensuring continuous and trouble-free operation.



## Main Advantages

- **Advanced Self-Priming Technology:** Engineered for high-performance suction, the QUAD series handles liquids with entrained gases effortlessly. It maintains reliable operation even at suction lifts reaching up to 5 m. , ensuring versatility in challenging installations.
- **Heavy-Duty Open Impeller:** Equipped with a precision-cast stainless steel open impeller, the pump is specifically designed for the seamless transfer of contaminated or solid-laden fluids, preventing clogs and maintaining flow consistency.
- **Compact & Portable Design:** The QUAD series features an exceptionally compact footprint, ideal for restricted spaces. For maximum mobility, units can be custom-fitted onto a ergonomic stainless steel trolley, allowing for easy transport across different production lines.
- **Reinforced Pump Casing:** Built to last, the casing is constructed from high-gauge 3 mm stainless steel. This heavy-duty reinforcement provides superior mechanical strength and exceptional corrosion resistance, significantly extending the equipment's service life.
- **Hazardous Area Compliance (ATEX):** Safety is paramount. For deployment in potentially explosive atmospheres, the QUAD series is supplied with high-specification ATEX-certified motors, ensuring full compliance with international safety regulations for hazardous zones.
- **Simplified Maintenance & Hygiene:** Designed with the end-user in mind, the pump features an Easy-Dismantle system. Routine cleaning, impeller inspection, or mechanical seal replacement can be performed rapidly, minimizing downtime and ensuring high hygiene standards.

## Application sectors

Chemical Industry, Food and Beverage Industry, Textile and Leather Industry, Metallurgic Industry, Water and Sludge Treatment.



CHEMICAL INDUSTRY



FOOD AND  
BEVERAGE INDUSTRY



TEXTILE AND  
LEATHER INDUSTRY

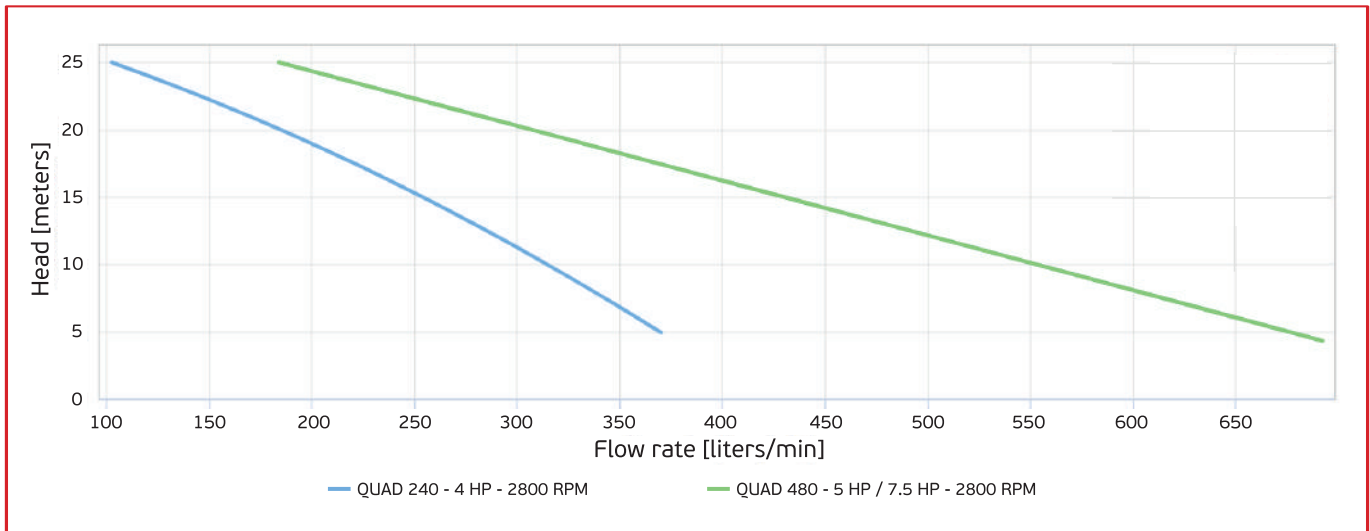


METALLURGIC INDUSTRY

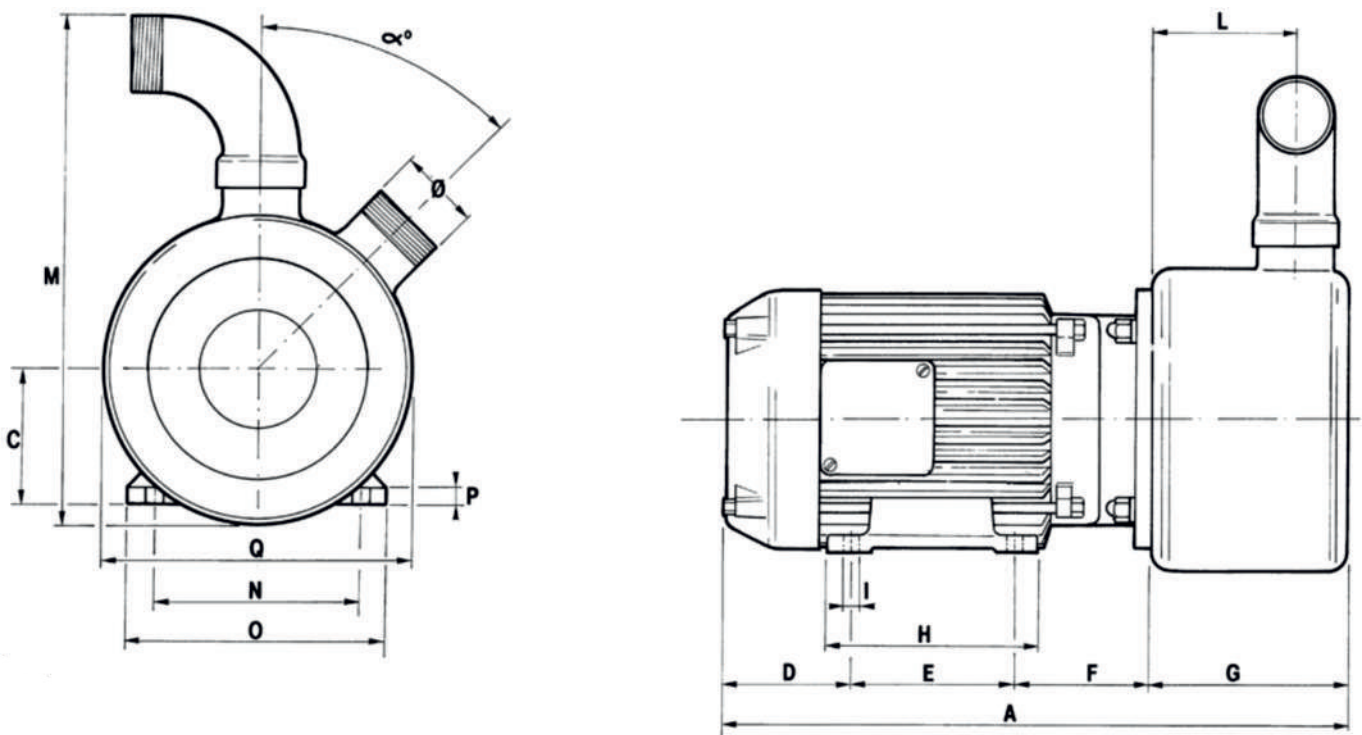


WATER AND SLUDGE  
TREATMENT

# Performances



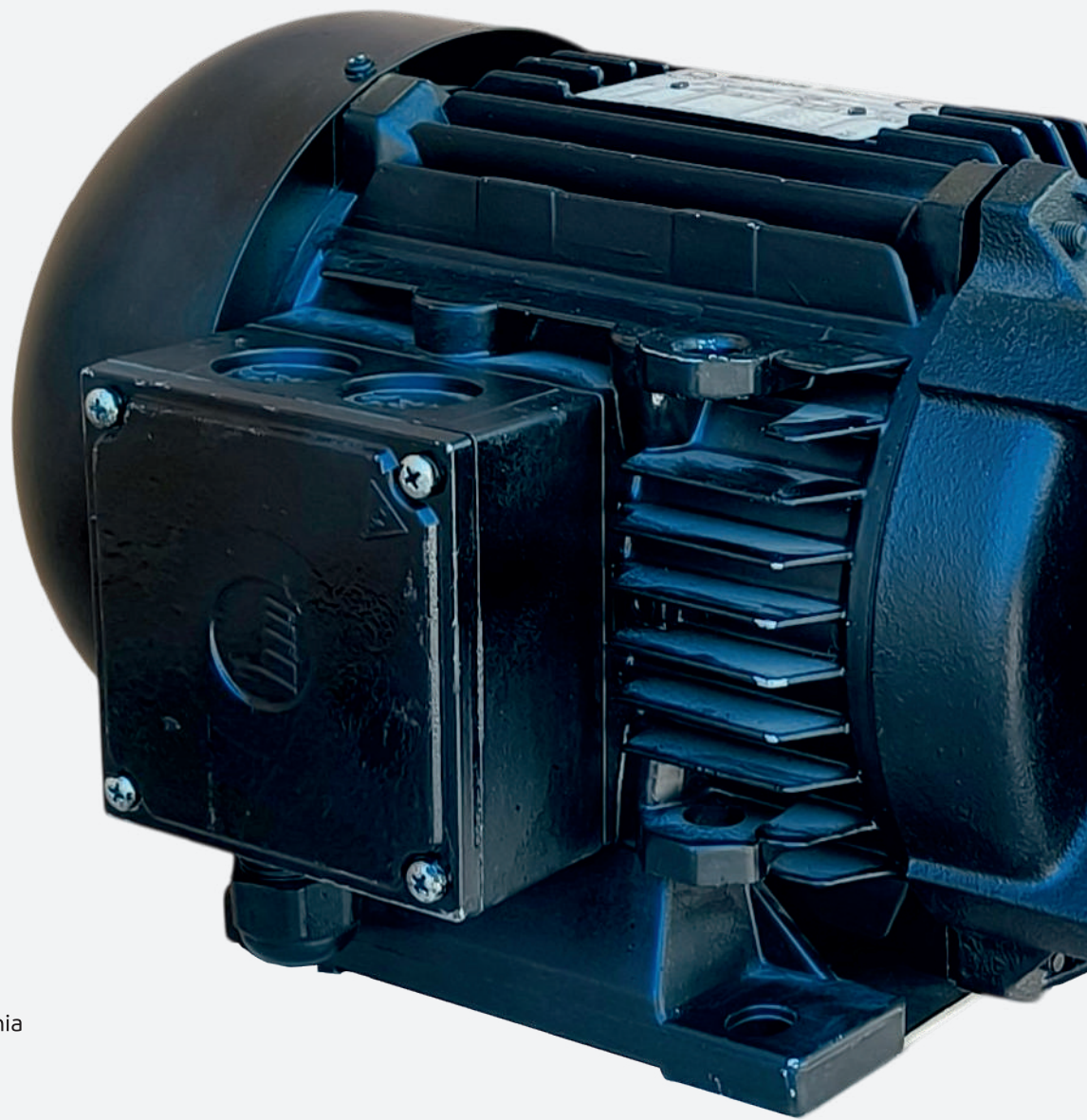
# Dimensions



| Models   | MOTOR |      | Dimensions (mm) |     |     |     |     |     |     |    |     |     |     |     |    |     | a [deg] | Ø PORTS |
|----------|-------|------|-----------------|-----|-----|-----|-----|-----|-----|----|-----|-----|-----|-----|----|-----|---------|---------|
|          | HP    | RPM  | A               | C   | D   | E   | F   | G   | H   | I  | L   | M   | N   | O   | P  | Q   |         |         |
| QUAD 240 | 4     | 2800 | 481             | 100 | 98  | 140 | 98  | 145 | 170 | 16 | 104 | 400 | 160 | 200 | 13 | 240 | 45°     | 2"      |
| QUAD 480 | 5     | 2800 | 486             | 100 | 98  | 140 | 98  | 150 | 170 | 16 | 104 | 400 | 160 | 200 | 13 | 240 | 45°     | 2"      |
| QUAD 480 | 7.5   | 2800 | 515             | 100 | 120 | 140 | 110 | 150 | 180 | 18 | 104 | 400 | 185 | 220 | 14 | 240 | 45°     | 2"      |



*We Make The Difference*



**Headquarters / Factory:**

AlphaDynamic Pumps SA  
59 Km Nat. Road Athens - Lamia  
Industrial Park of Inofita Viotia  
32011 - Inofita Viotia - Greece  
VAT No. EL 999695309  
Commercial Registry: 045001607000  
Tel.: +30 215 215 9520  
e-mail: sales@alphadynamic.eu

[www.alphadynamic.eu](http://www.alphadynamic.eu)